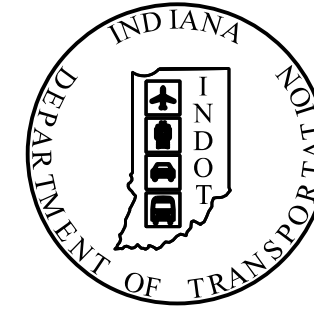


PROJECT	DESIGNATION
2001172	2002364
CONTRACT	BRIDGE FILE
R-42909	I65-180-05489A

# INDIANA DEPARTMENT OF TRANSPORTATION



STRUCTURE	TYPE	SPAN AND SKEW	OVER	STATION
I65-180-05489A	CONTINUOUS COMPOSITE PLATE GIRDER BRIDGE	SPANS: 120'-6", 120'-6" SKEW: 30°42'00" LT.	I-65	50+00.00 "S-20-A"

TRAFFIC DATA		
A.A.D.T.	(2024)	CR 725 N 1,020 V.P.D.
A.A.D.T.	(2044)	1,060 V.P.D.
D.H.V	(2044)	160 V.P.H.
DIRECTIONAL DISTRIBUTION		55 %
TRUCKS		25 % A.A.D.T.
		22 % D.H.V.

DESIGN DATA	
DESIGN SPEED	50 MPH
PROJECT DESIGN CRITERIA	3R PROJECT
FUNCTIONAL CLASSIFICATION	LOCAL ROAD
RURAL/URBAN	RURAL
TERRAIN	LEVEL
ACCESS CONTROL	NONE

KIN PROJECT INFORMATION		
DESIGNATION	PROJECT DESCRIPTION	
	ROAD	
2001172	ADDED TRAVEL LANES FROM 1.33 MILES NORTH OF SR 25 TO 0.8 MILE NORTH OF SR 43 RP'S 178+0.56 TO 179+0.95.	LEAD DES.
2100049	ADDED TRAVEL LANES FROM 0.8 MILE NORTH OF SR 43 TO 2.43 MILES NORTH OF SR 43 AND RP'S 179+0.95 TO 180+0.75.	
	BRIDGE	
2002114	I-65 NB OVER CSX R.R., 9TH STREET, AND BURNETT CREEK	
2002115	I-65 SB OVER CSX R.R., 9TH STREET, AND BURNETT CREEK	
1601088	I-65 NB OVER SR 43	
1601090	I-65 SB OVER SR 43	
2002116	I-65 NB OVER PROPHETS ROCK ROAD	
2002117	I-65 SB OVER PROPHETS ROCK ROAD	
2002364	CR 725 N OVER I-65	

## BRIDGE REHABILITATION PLANS

FOR SPANS OVER 20 FEET

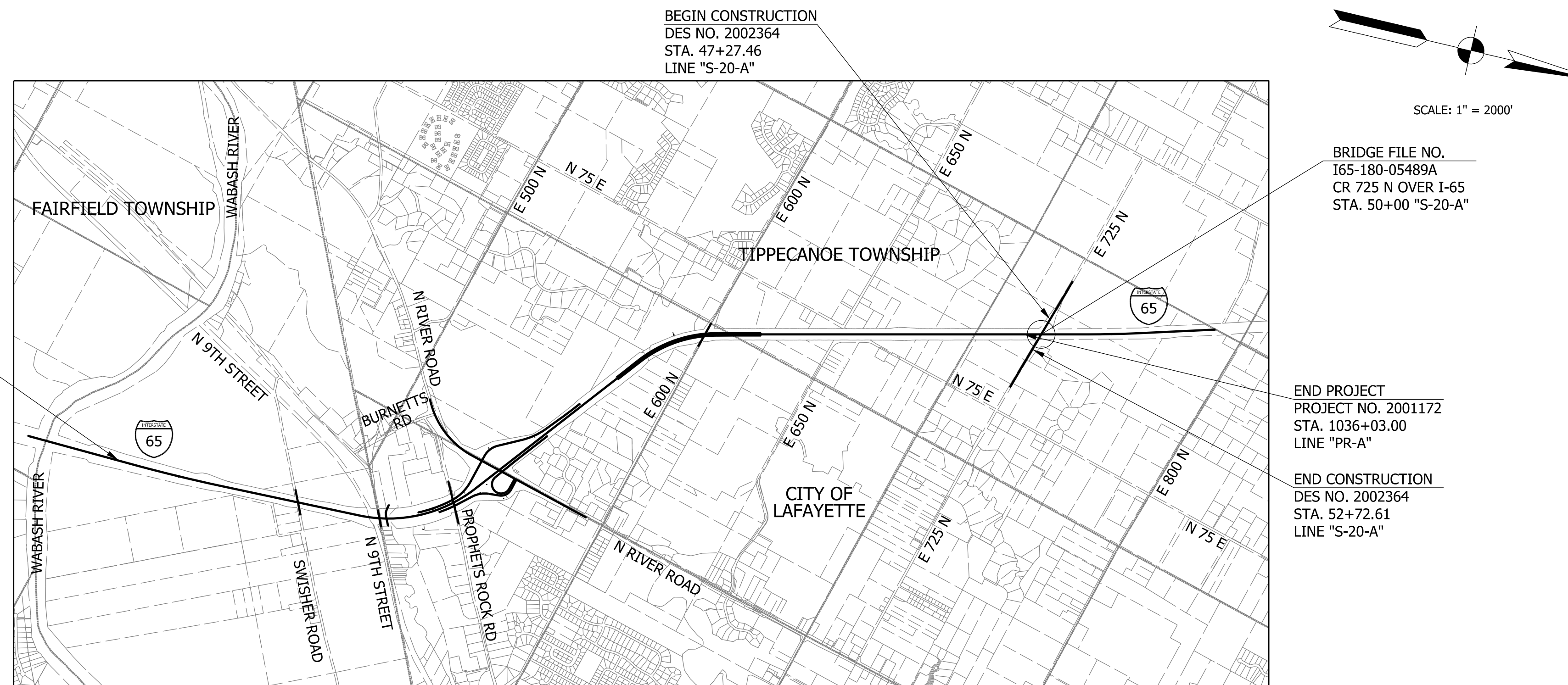
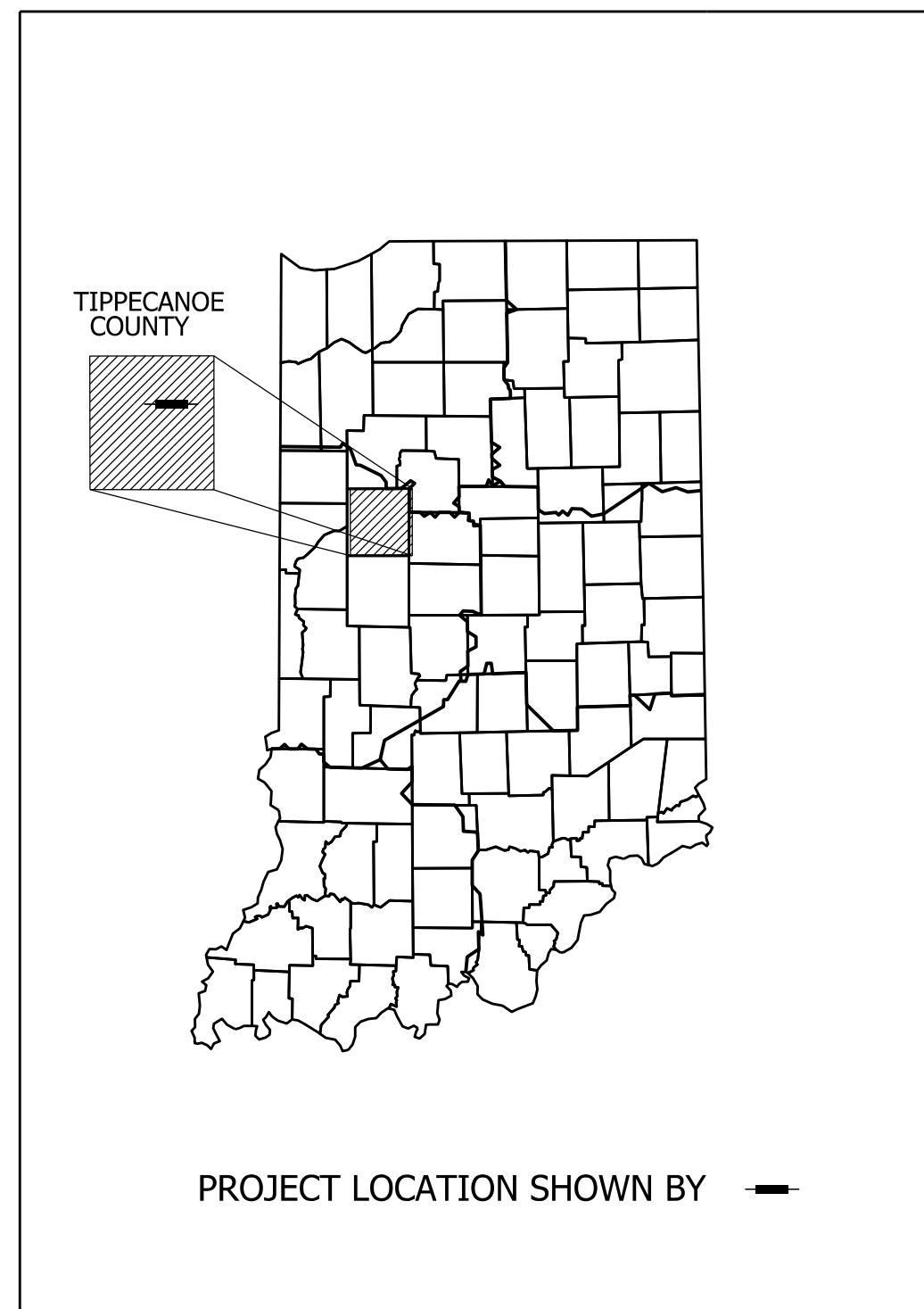
ROUTE: I-65 AT: RP 180+0.80

PROJECT NO. 2001172 P.E. CONST.

NO ADDITIONAL RIGHT-OF-WAY REQUIRED FOR THIS PROJECT

BRIDGE PREVENTATIVE MAINTENANCE ON STRUCTURE I65-180-05489A. THE STRUCTURE IS LOCATED ON CR 725 N APPROXIMATELY 2.52 MILES NORTH OF THE STATE ROAD (SR) 43 INTERCHANGE. IN SECTION 17 TOWNSHIP 24 N, RANGE 4 WEST IN TIPPECANOE TOWNSHIP, TIPPECANOE COUNTY, INDIANA.

STAGE 3 PLAN SUBMITTAL  
MAY 2021



LATITUDE: 40°31'20" LONGITUDE: -86°53'59"

BRIDGE LENGTH:	0.06	MI.
ROADWAY LENGTH:	0.05	MI.
TOTAL LENGTH:	0.11	MI.
MAX. GRADE:	4.22%	%

LOCATION MAP  
TIPPECANOE COUNTY

INDIANA DEPARTMENT OF TRANSPORTATION  
STANDARD SPECIFICATIONS DATED 2020  
TO BE USED WITH THESE PLANS.

D:\barth 9/10/2020 10:00:28 am  
 model: Sheet1  
 file: c:\adidib\p\l\mb\_d\rev\_barth\greatakes\02\49928\2001172-br-t01.dgn

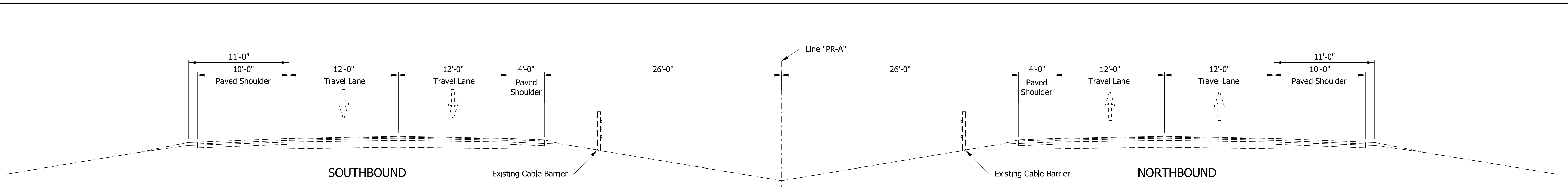
**INFRASTRUCTURE ENGINEERING** | INCORPORATED  
 201 South Capitol Avenue | Suite 490 | Indianapolis, IN 46225  
 P 317.243.9800 | F 317.243.9100 | www.infrastructure-eng.com

**DRAFT**  
NOT FOR CONSTRUCTION

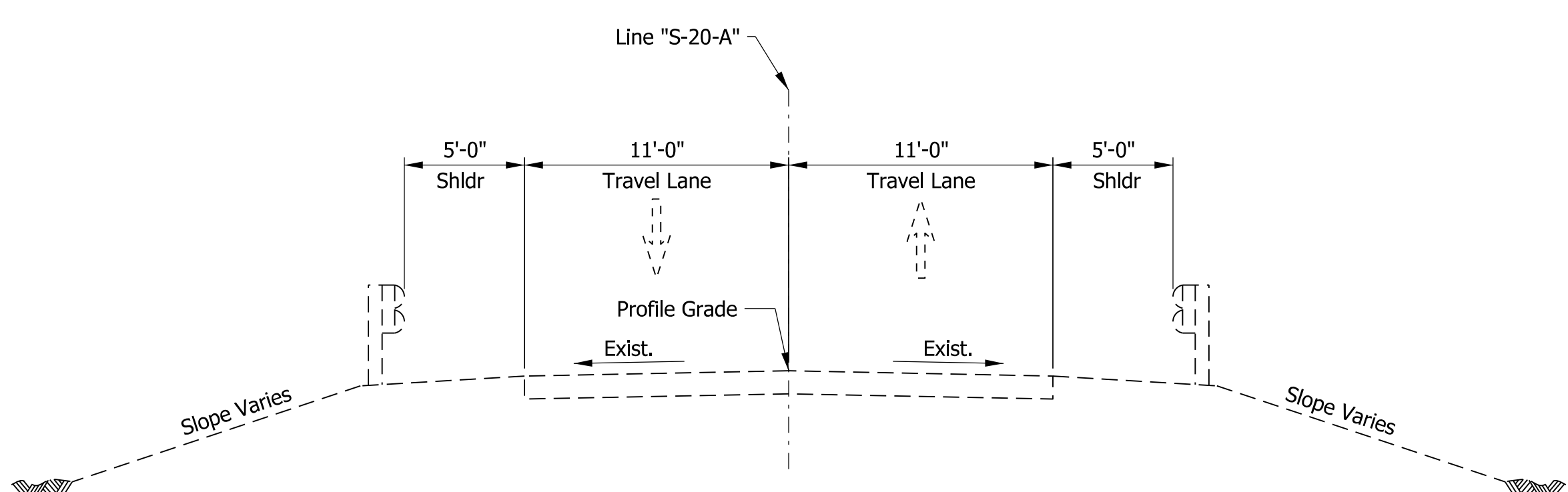
PLANS PREPARED BY:	Infrastructure Engineering, Inc.	(317) 243-9800
		PHONE NUMBER
CERTIFIED BY:		DATE
APPROVED FOR LETTING:		DATE
	INDIANA DEPARTMENT OF TRANSPORTATION	

BRIDGE FILE	
I65-180-05489A	
DESIGNATION	
2002364	
SURVEY BOOK	SHEETS
ELECTRONIC	1 of 9
CONTRACT	PROJECT
R-42909	2001172

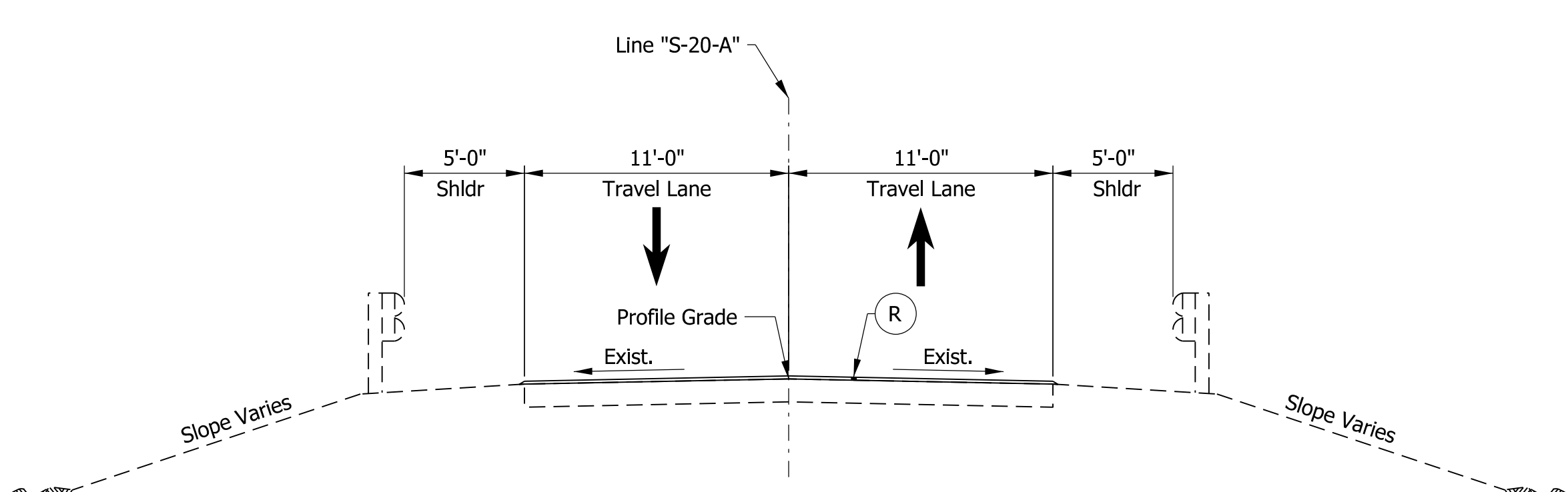




EXISTING TYPICAL SECTION  
I-65 TANGENT SECTION



EXISTING TYPICAL SECTION  
CR 725 N TANGENT SECTION



TRANSITION PAVEMENT TYPICAL SECTION  
CR 725 N TANGENT SECTION

STA. 47+27.46 "S-20-A" to STA. 48+47.46 "S-20-A"  
STA. 51+52.61 "S-20-A" to STA. 52+72.61 "S-20-A"

LEGEND

(R) Transition Mill Existing Pavement then Overlay with 165 #/Syd. QC-QA-HMA, 2, 64, Surface 9.5 mm

NOTES  
1. Cross Slope will transition from matching bridge cross slope to existing road cross slope in incidental.

D:\barth 6/16/2020 3:03:25 pm  
 model-Sheet\_1  
 file:c:\adddib\p\hmb\_drew\_barth\greatakes\0219928\2001172-rd-s-yp01.dgn

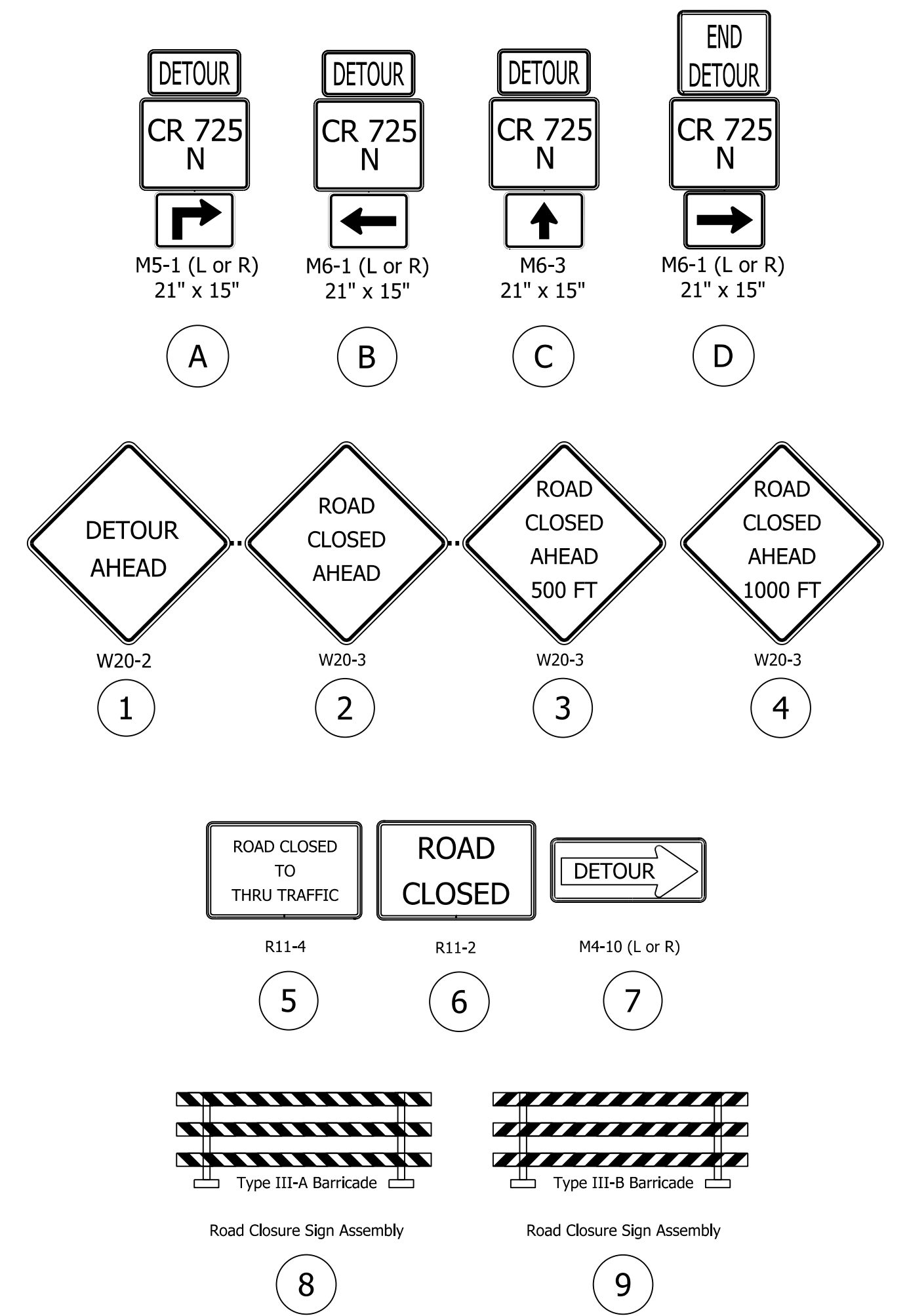
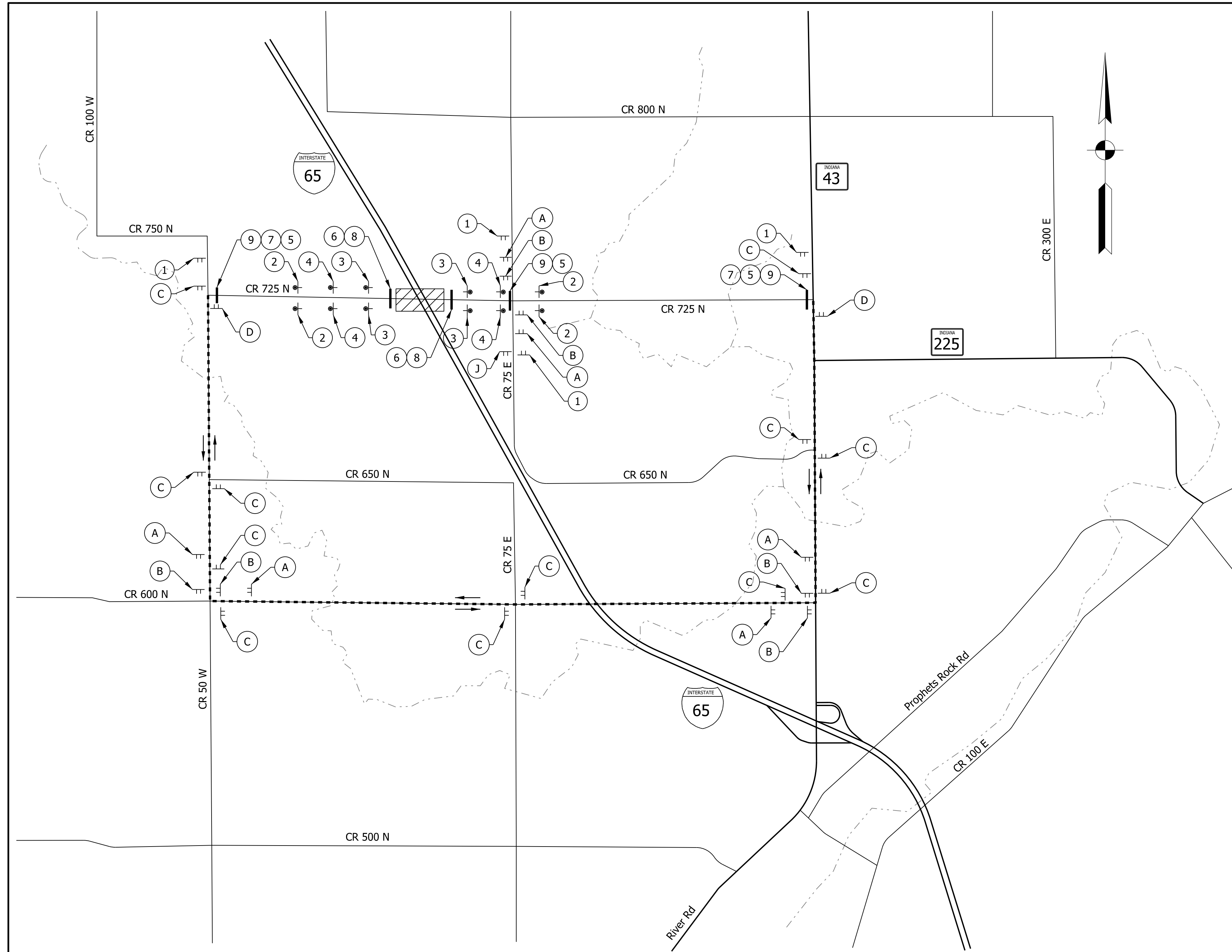
**DRAFT**  
 NOT FOR CONSTRUCTION

RECOMMENDED FOR APPROVAL _____	DESIGN ENGINEER _____	DATE _____
DESIGNED: _____ EAS _____	DRAWN: _____ GSB _____	
CHECKED: _____ DSB _____	CHECKED: _____ DSB _____	

INDIANA  
 DEPARTMENT OF TRANSPORTATION  
  
 TYPICAL CROSS SECTIONS  
 CR 725 N

HORIZONTAL SCALE	BRIDGE FILE	
3/16"=1'-0"	165-180-05489A	
VERTICAL SCALE	DESIGNATION	
N/A	2002364	
SURVEY BOOK	SHEETS	TS-01
ELECTRONIC	3	of 9
CONTRACT	PROJECT	
R-42909	2001172	





**DETOUR ASSEMBLY LEGEND**  
SCALE: NOT TO SCALE

**Legend**

- Detour Route
- TTT Detour Route Marker Assembly
- |— Construction Sign Type A
- ⊙ Type "A" Construction Warning Light
- ▬▬▬ Barricade, Type III-A or III-B
- ▨ Construction Area

TABLE OF QUANTITIES		
ITEM	UNIT	TOTAL
CONSTRUCTION SIGNS, TYPE "A"	EACH	16
CONSTRUCTION SIGNS, TYPE "B"	EACH	2
STANDARD BARRICADE, TYPE III-A	LFT	64
STANDARD BARRICADE, TYPE III-B	LFT	48
DETOUR ROUTE MARKER ASSEMBLY	EACH	26
ROAD CLOSURE SIGN ASSEMBLY	EACH	5

**NOTES**

- REFER TO INDOT STD. DRAWING 801-TCDT-02 AND 801-TCDT-03 FOR SIGN ASSEMBLY SPACING.
- CONTRACTOR TO MAINTAIN ACCESS TO ALL PROPERTIES AT ALL TIMES DURING CONSTRUCTION INCLUDING TEMPORARY STONE, STEEL PLATING, BARRICADES, LIGHTS, BARRELS, ETC. AS NEEDED TO MAINTAIN DRIVABLE ACCESS AROUND THE ACTIVE CONSTRUCTION SITE.
- THE CONTRACTOR SHALL SUBMIT TO INDOT, A PLAN FOR WORK OPERATIONS AND TRAFFIC CONTROL PLAN.
- ROAD CLOSURE SIGNAGE IS SHOWN IN APPROXIMATE LOCATIONS, CONTRACTOR SHALL ADJUST AS NEEDED.
- THE CONTRACTOR SHALL FURNISH AND MAINTAIN IN PROPER WORKING ORDER, ALL CONSTRUCTION SIGNS, LIGHTS, CHANNELIZING DEVICES AND OTHER TRAFFIC CONTROL EQUIPMENT.
- ALL SIGNS SHALL BE POSITIONED TOWARD ON-COMING TRAFFIC WITHIN THE RIGHT OF WAY ON THE SIDE OF ROAD OR STREET SHOWN, UNLESS OTHERWISE NOTED. ADVANCED NOTICE OF ROUTE CLOSURE SIGNS (TYPE C), 2 TOTAL, SHALL BE PLACED 14 DAYS PRIOR TO THE START OF CONSTRUCTION. THE SIGNS SHALL BE REMOVED WHEN THE ROUTE IS CLOSED FOR CONSTRUCTION.
- 

ESlier  
 9/29/2020 9:12:06 am  
 model:Sheet1  
 file: c:\adidib\p\hmb\_d\draw\barth\greatlakes\0249928\2001172-rd-s-motdet01.dgn

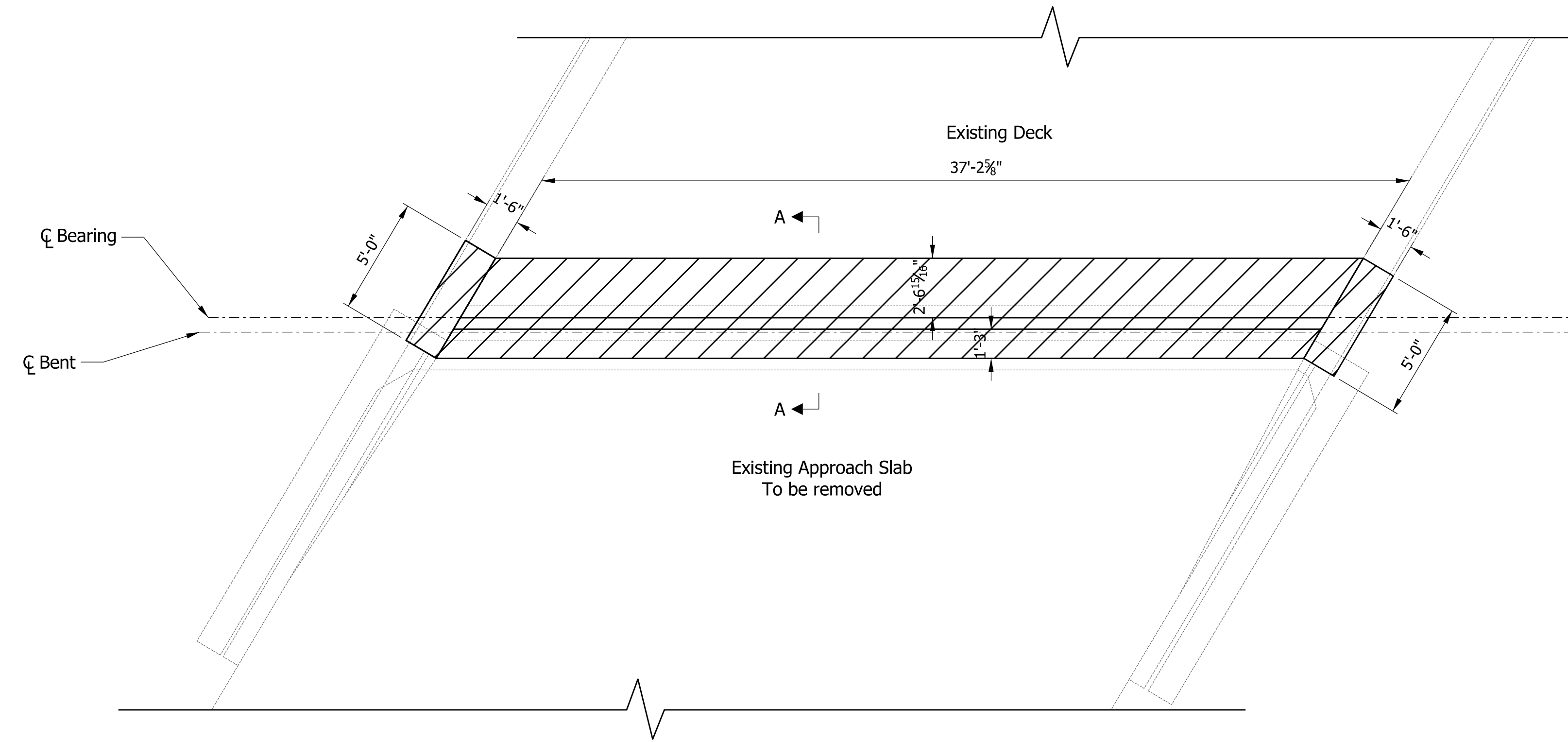
**DRAFT**  
NOT FOR CONSTRUCTION

RECOMMENDED FOR APPROVAL _____	DESIGN ENGINEER _____	DATE _____
DESIGNED: EAS	DRAWN: GSB	
CHECKED: DSB	CHECKED: DSB	

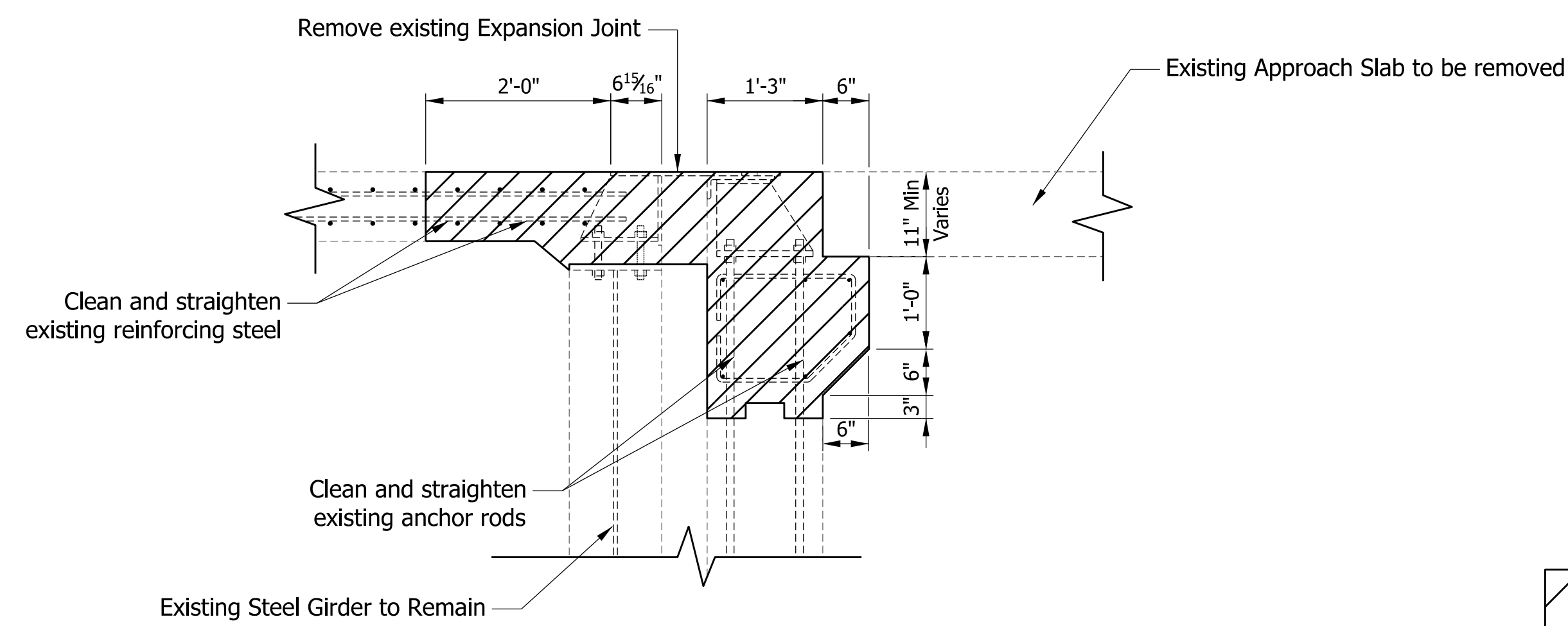
INDIANA  
DEPARTMENT OF TRANSPORTATION

**MAINTENANCE OF TRAFFIC  
DETOUR**

SCALE	BRIDGE FILE	
N/A	I65-180-05489A	
VERTICAL SCALE	DESIGNATION	
N/A	2002364	
SURVEY BOOK	SHEETS	MOT-01
ELECTRONIC	4	of 9
CONTRACT	PROJECT	
R-42909	2001172	



**JOINT REMOVAL PLAN**  
 Beny No. 1 Shown (Bent No. 3 Similar)  
 Scale: 3/4" = 1'-0"



**SECTION A-A**  
 Scale: 3/8" = 1'-0"

INDICATES LIMITS OF REMOVAL

**DRAFT**  
 NOT FOR CONSTRUCTION

RECOMMENDED FOR APPROVAL		DESIGN ENGINEER		DATE	
DESIGNED: CBI		DRAWN: CBI			
CHECKED: DBS		CHECKED: DBS			

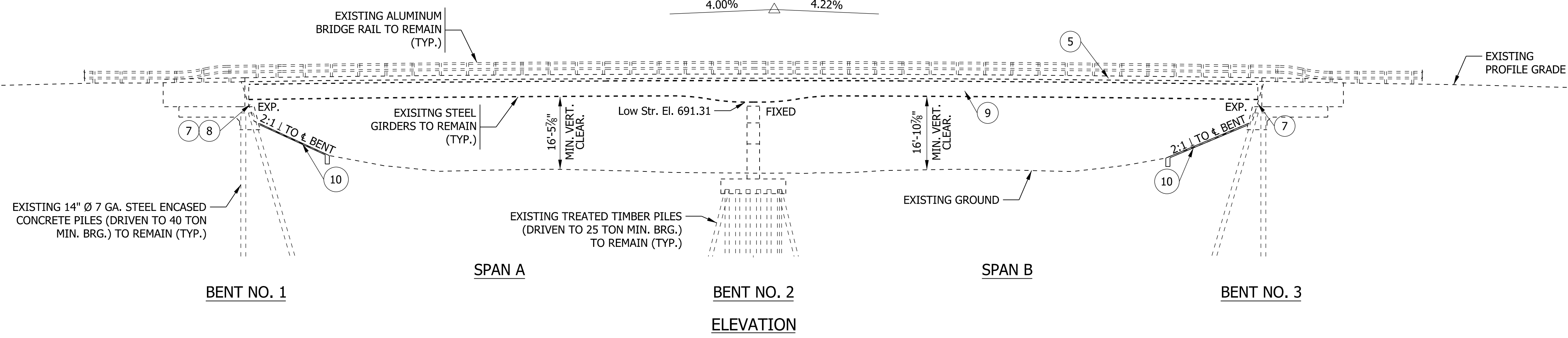
INDIANA  
 DEPARTMENT OF TRANSPORTATION

**REMOVAL DETAILS**

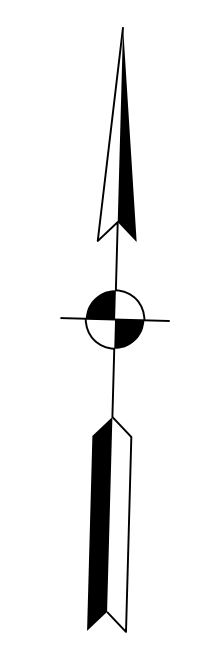
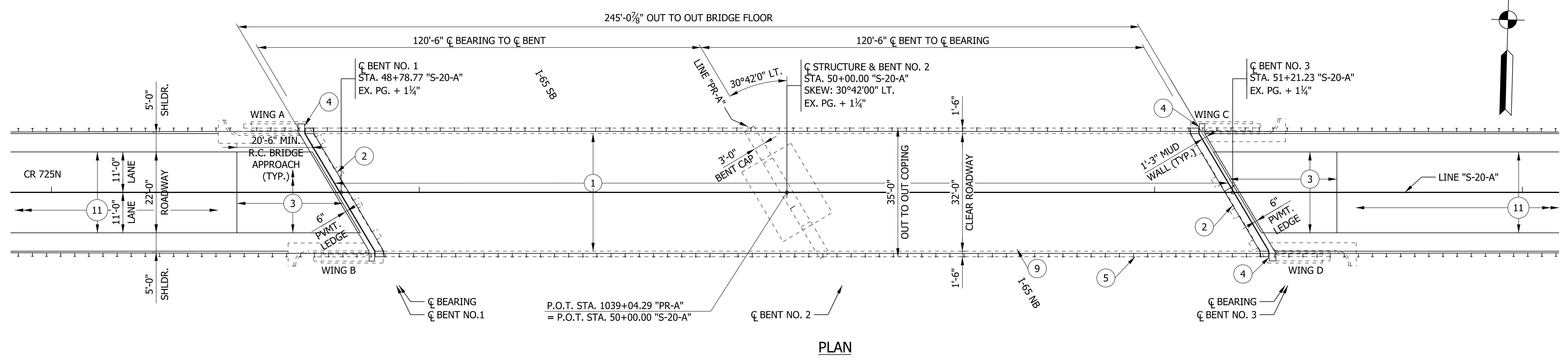
SCALE	BRIDGE FILE
AS NOTED	165-180-05489A
VERTICAL SCALE	DESIGNATION
N/A	2001172
SURVEY BOOK	SHEETS
ELECTRONIC	5 of 9
CONTRACT	PROJECT
R-42909	2001172

STRUCTURE BUILT ON A 745' VERTICAL CURVE

P.V.I. STA. 50+10.00  
EL. 705.40  
745' VC  
4.00% 4.22%



- LEGEND**
- 1 REMOVE ½" OF THE EXISTING CONCRETE SURFACE FOR DECK, REMOVE UNSOUND PORTIONS OF EXISTING DECK AND CONSTRUCT 1¾" BRIDGE DECK OVERLAY OVER EXISTING DECK.
  - 2 REMOVE THE EXISTING JOINTS AND RECONSTRUCT WITH SS JOINTS PER DETAIL.
  - 3 CONSTRUCT NEW REINFORCED CONCRETE BRIDGE APPROACH SLABS.
  - 4 REMOVE AND PATCH UNSOUND PORTIONS OF WINGWALL A, WINGWALL C, & WINGWALL D.
  - 5 REMOVE AND PATCH UNSOUND PORTIONS OF THE DECK COPING.
  - 6 SEAL EXISTING COPINGS.
  - 7 CLEAN AND PAINT BEARINGS.
  - 8 JACK AND SUPPORT GIRDER NO. 1 AND NO. 3 AND REMOVE ALL PAINT, GRIME, RUST, AND DIRT BY SCRAPING, WIRE BRUSH, SAND/SODA BLASTING, AND/OR MECHANICAL GRINDING THE BEARINGS.
  - 9 REPAIR DAMAGE TO GIRDER NO. 5 PER DETAIL.
  - 10 REMOVE AND RECONSTRUCT THE SLOPEWALL.
  - 11 CONSTRUCT HMA WEDGE AND LEVEL COURSE FOR BOTH ROADWAY APPROACHES TO ACCOUNT FOR THE GRADE RAISE DUE TO THE BRIDGE DECK OVERLAY.



BRIDGE DECK OVERLAY  
CONTINUOUS COMPOSITE PLATE GIRDER BRIDGE  
2 SPANS: 120'-6", 120'-6"  
SKEW: 30°42' LT.  
CLEAR ROADWAY 32'-0"  
CR 725 N OVER I-65  
TIPPECANOE COUNTY

D:\barth 10/19/2020 3:11:21 pm model-Sheet1 file:c:\cadd\ib\p\l\mb\_drev.barth\greatakes\0249928\2001172-bv-gp01.dgn

**DRAFT**  
NOT FOR CONSTRUCTION

RECOMMENDED FOR APPROVAL	DESIGN ENGINEER	DATE
DESIGNED: EAS	DRAWN: EAS	
CHECKED: DSB	CHECKED: NDB	

INDIANA  
DEPARTMENT OF TRANSPORTATION

GENERAL PLAN

HORIZONTAL SCALE	BRIDGE FILE
1/16"=1'-0"	165-180-05489A
VERTICAL SCALE	DESIGNATION
N/A	2002364
SURVEY BOOK	SHEETS GP-01
ELECTRONIC	6 of 9
CONTRACT	PROJECT
R-42909	2001172

**GENERAL NOTES**

PLANS FOR EXISTING STRUCTURE ARE ON FILE IN THE CENTRAL OFFICE AS BRIDGE FILE 165-184-5489S ARE AVAILABLE UPON REQUEST.

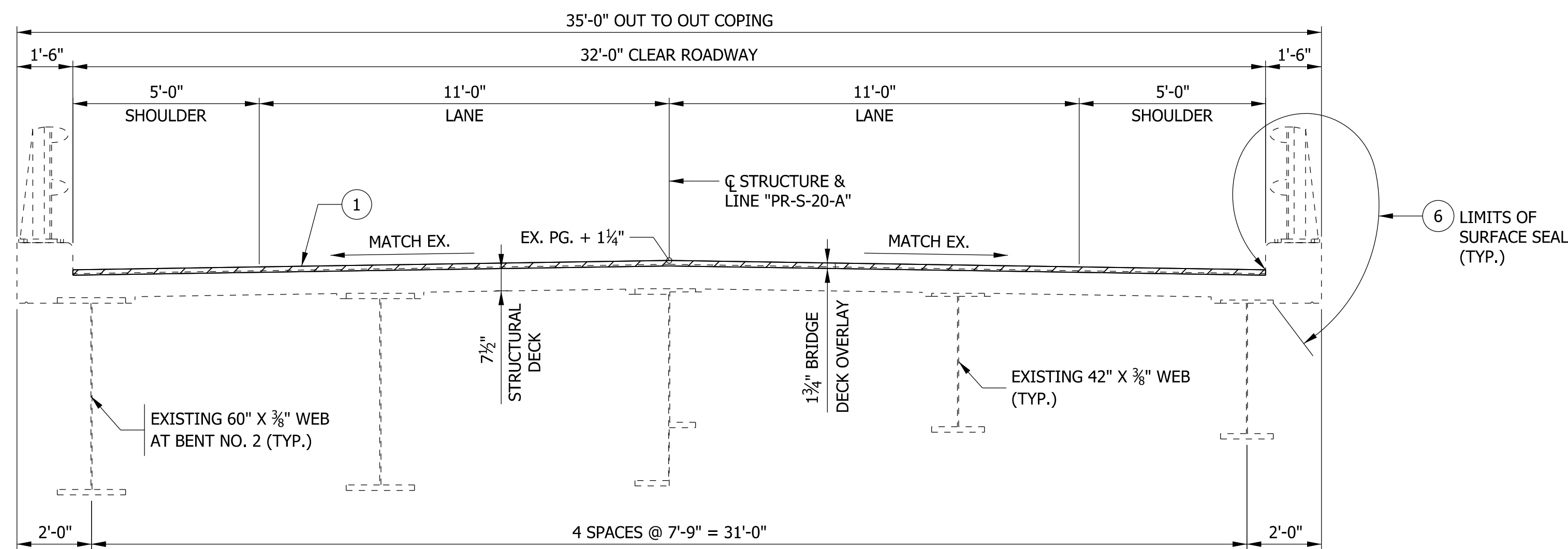
WHERE WORK IS TO BE FITTED TO OLD WORK, THE CONTRACTOR SHALL CHECK ALL DIMENSIONS AND CONDITIONS IN THE FIELD AND REPORT ANY ERRORS TO THE ENGINEER AND ASSUME RESPONSIBILITY FOR THEIR CORRECTNESS AND THE FIT OF THE NEW PART TO THE OLD.

EXISTING ELEVATIONS AND STATIONS SHOWN IN THE PLANS ARE TAKEN FROM THE EXISTING PLANS OF THE STRUCTURE AND SHALL BE VERIFIED BY THE CONTRACTOR PRIOR TO CONSTRUCTION.

ORIGINALLY DESIGNED FOR HS 20-44 LOADING, IN ACCORDANCE WITH THE 1965 AASHTO SPECIFICATIONS.

**MATERIAL NOTES**

BRIDGE DECK OVERLAY: 1 3/4" LATEX MODIFIED CONCRETE BRIDGE DECK OVERLAY OR 1 3/4" SILICA FUME CONCRETE BRIDGE DECK OVERLAY.



**TYPICAL SECTION**  
Left Side Showing at Bent No. 2  
Right Side Showing Elsewhere

NOTE:  
See previous sheet for legend.

BRIDGE DECK OVERLAY  
CONTINUOUS COMPOSITE PLATE GIRDER BRIDGE  
2 SPANS: 120'-6", 120'-6"  
SKEW: 30°42' LT.  
CLEAR ROADWAY 32'-0"  
CR 725 N OVER I-65  
TIPPECANOE COUNTY

D:\barth 10/19/2020 3:11:21 pm model-Sheet4 file:c:\aditib\pwl\hmb\_drew.barth\greatlakes\0249928\2001172-bh-gp01.dgn

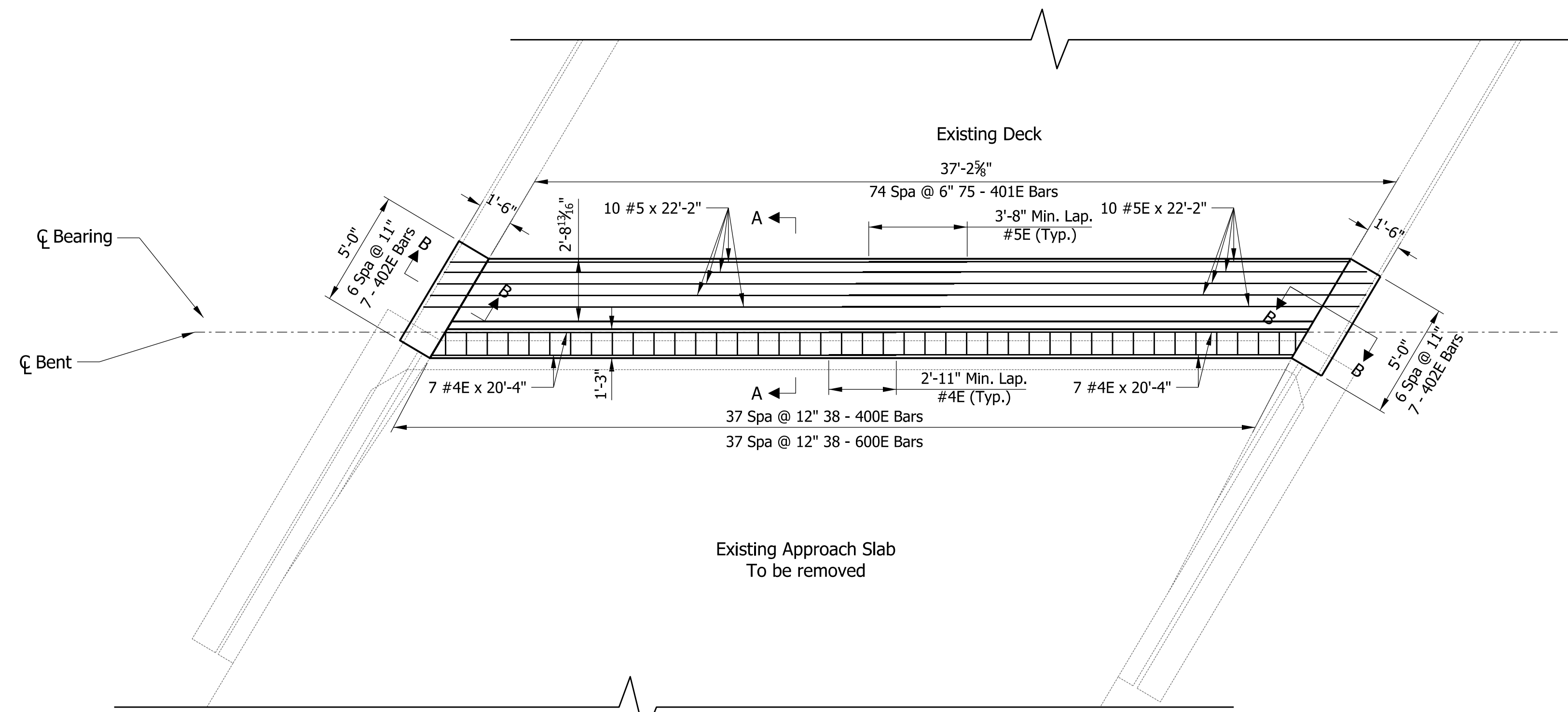
**DRAFT**  
NOT FOR CONSTRUCTION

RECOMMENDED FOR APPROVAL _____	DESIGN ENGINEER _____	DATE _____
DESIGNED: _____ EAS _____	DRAWN: _____ EAS _____	
CHECKED: _____ DBS _____	CHECKED: _____ NDB _____	

INDIANA DEPARTMENT OF TRANSPORTATION	
GENERAL PLAN	

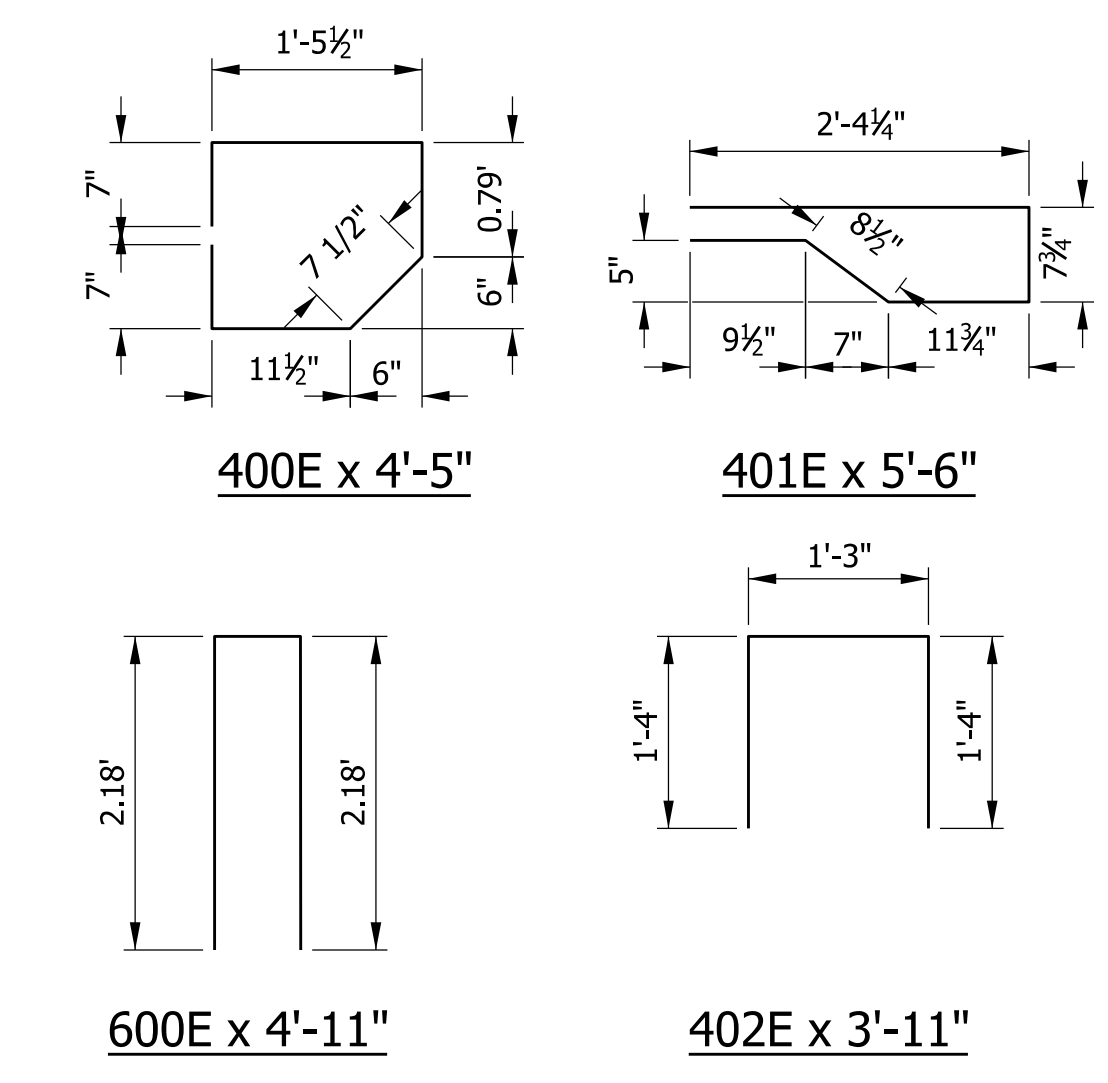
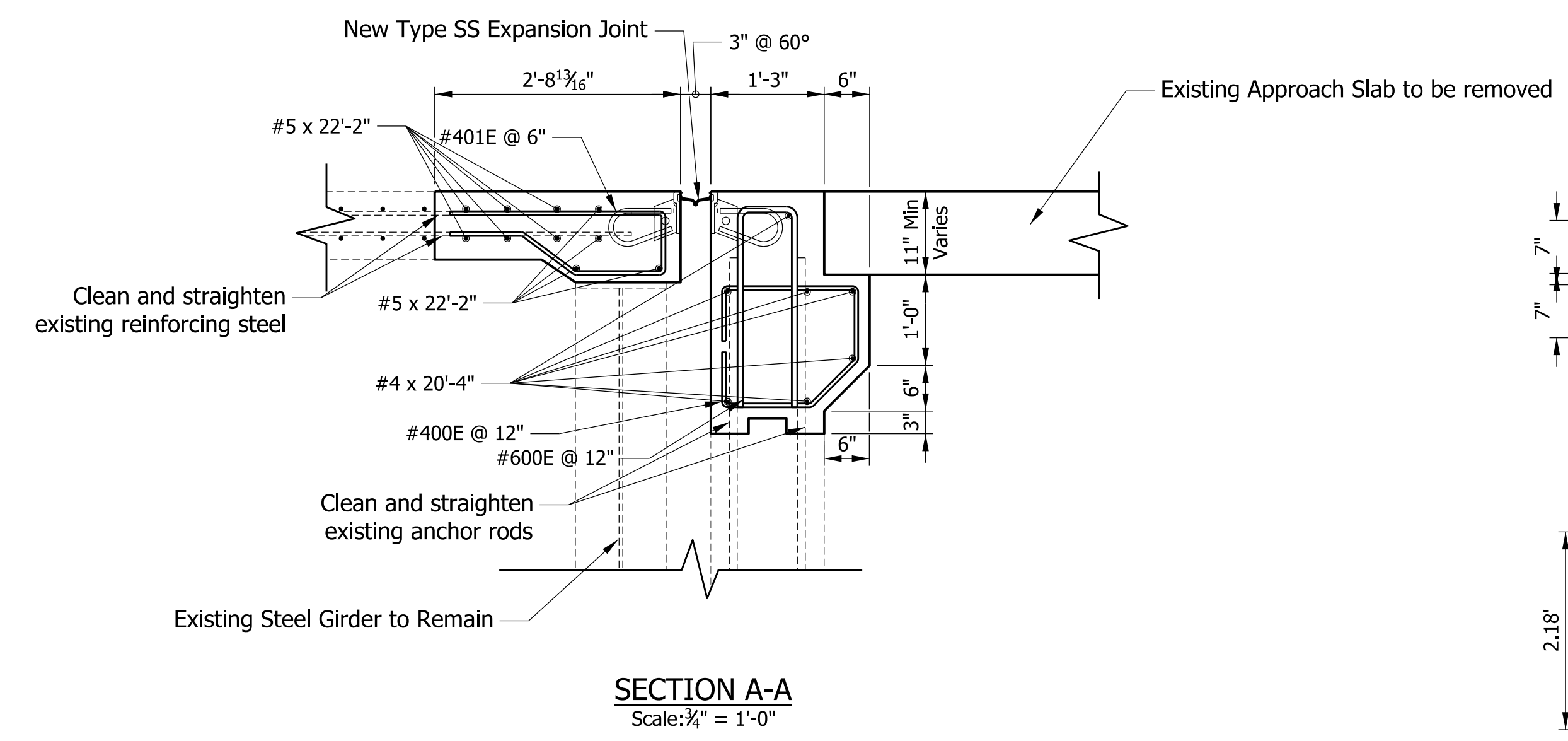
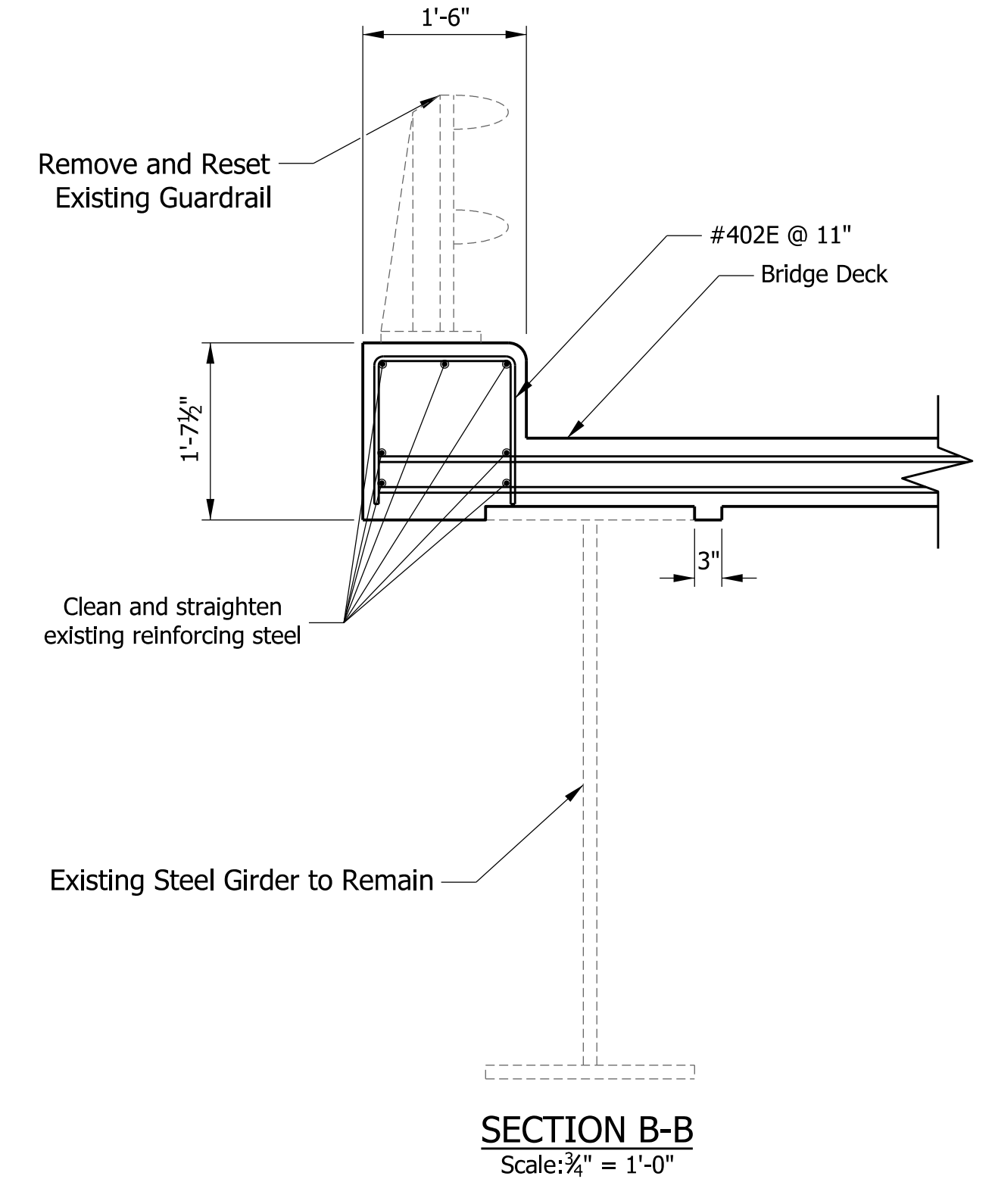
HORIZONTAL SCALE 3/8"=1'-0"	BRIDGE FILE 165-180-05489A
VERTICAL SCALE N/A	DESIGNATION 2002364
SURVEY BOOK ELECTRONIC	SHEETS 7 of 9
CONTRACT R-42909	PROJECT 2001172





BILL OF MATERIALS Bent No. 1				BILL OF MATERIALS Bent No. 3			
EXPOXY COATED REINFORCING STEEL				EXPOXY COATED REINFORCING STEEL			
Size And Mark	No. of Bars	Length	Weight (Lbs.)	Size And Mark	No. of Bars	Length	Weight (Lbs.)
400E	38	4'- 5"		400E	38	4'- 5"	
401E	75	5'- 6"		401E	75	5'- 6"	
402E	14	3'- 11"		402E	14	3'- 11"	
4E	14	20'- 4"		4E	14	20'- 4"	
<b>Total # 4</b>			<b>615</b>	<b>Total # 4</b>			<b>615</b>
5E	20	22'- 2"		5E	20	22'- 2"	
<b>Total # 5</b>			<b>462</b>	<b>Total # 5</b>			<b>462</b>
600E	38	4'- 11"		600E	38	4'- 11"	
<b>Total # 6</b>			<b>281</b>	<b>Total # 6</b>			<b>281</b>
<b>Total Steel (Epoxy Coated)</b>			<b>1358</b>	<b>Total Steel (Epoxy Coated)</b>			<b>1358</b>
<b>CONCRETE</b>				<b>CONCRETE</b>			
Concrete, Class C Substructure			<b>6 CYS</b>	Concrete, Class C Substructure			<b>6 CYS</b>
Concrete, Class C Superstructure			<b>6 CYS</b>	Concrete, Class C Superstructure			<b>6 CYS</b>
<b>Total</b>			<b>12 CYS</b>	<b>Total</b>			<b>12 CYS</b>
<b>MISCELLANEOUS</b>				<b>MISCELLANEOUS</b>			
Expansion Joint, Type SS			<b>37.3 LFT</b>	Expansion Joint, Type SS			<b>37.3 LFT</b>

**JOINT RECONSTRUCTION PLAN**  
Bent No. 1 Shown (Bent No. 3 Similar)  
Scale: 1/4" = 1'-0"



Notes:  
1. See Standard Drawing E724-BSSJ-01 thru 09 for Type SS Expansion Joint Details

**DRAFT**  
NOT FOR CONSTRUCTION

RECOMMENDED FOR APPROVAL _____	DESIGN ENGINEER _____	DATE _____
DESIGNED: CBI _____	DRAWN: CBI _____	
CHECKED: DBS _____	CHECKED: DBS _____	

INDIANA  
DEPARTMENT OF TRANSPORTATION

**REMOVAL DETAILS**

SCALE AS NOTED	BRIDGE FILE 165-180-05489A
VERTICAL SCALE N/A	DESIGNATION 2001172
SURVEY BOOK ELECTRONIC	SHEETS 8 of 9
CONTRACT R-42909	PROJECT 2001172



**SUMMARY OF BRIDGE QUANTITIES**

ITEM	CONCRETE				CONCRETE RAILING CLASS C	REINF. BARS	REINF. BARS, EPOXY COATED	RAILING STEEL	BARRIER DELINEATORS	REINF. CONC. BRIDGE APPROACH (SIZE)	DENSE GRADED SUBBASE	STRUCT. STEEL	ANCHOR PLATES MK-AP	PILES								GRATES, BASINS, & FITTINGS, CAST IRON	EXP. JOINT TYPE	CONC. STR. MEMBERS		SURFACE SEAL				
	CLASS C	CLASS A	CLASS B	CLASS B										STEEL PIPE (SIZE)	STEEL PIPE EPOXY COATED (SIZE)	STEEL H (SIZE)	STEEL H EPOXY COATED	STEEL H REINF. CONC. ENCASED	TEST PILE, DYNAMIC, PRODUCTION	TEST PILE, DYNAMIC, RESTRICTED	PILE SHOE (SIZE)			PILE TIP STEEL H (SIZE)	CORED HOLE IN ROCK		BOX BEAM TYPE & SIZE	I-BEAM TYPE & SIZE		
	SUPERSTR	SUBSTR	ABOVE FTG.	IN FTG.										LFT	LFT	LFT	LFT	LFT	LFT	LFT	LFT			LFT	LFT		LFT	LFT		
	CYS	CYS	CYS	CYS										CYS	LBS	LBS	LFT	EACH	SYS	CYS	LBS			EACH	LFT		LFT	EACH	EACH	NO.
165-180-05489A																														

\*\* Estimated quantity

**PAVEMENT QUANTITIES AND APPROACH TABLE**

LOCATION	DESCRIPTION (APPROACH TYPE OR CLASS)	WIDTH FT	LENGTH FT	RADI FT	DISTANCE BEYOND R/W LINE	SURFACE BEYOND R/W LINE			GRADE	EXCAVATION	CLEAR ZONE AT DRIVE	HMA FOR APPROACHES				HMA FOR ROADS				SEAL COAT TYPE	ASPHALT MATERIAL FOR		REMARKS							
						COMPACTED AGGREGATE BASE	HMA	PCCP				SURFACE TYPE	INTERMD TYPE	BASE TYPE	SURFACE TYPE	INTERMD TYPE	BASE TYPE	PRIME COAT	TACK COAT											
						LBS PER SYD	LBS PER SYD	LBS PER SYD				LBS PER SYD	LBS PER SYD	LBS PER SYD	LBS PER SYD	LBS PER SYD	DEPTH	DEPTH												
						1 %	2 %	CUT CYS				FILL CYS	FT	TONS	TONS	TONS	TONS	TONS	TONS		TONS	TONS		TONS	TONS					

**PAVEMENT MARKINGS SUMMARY OF QUANTITIES**

LOCATION	LINE PAINT		LINE THERMOPLASTIC				LINE MULTI-COMPONENT				TRANSVERSE MARKINGS THERMOPLASTIC STOP LINE		TRANSVERSE MARKINGS CROSSHATCH LINE		TRANSVERSE MARKINGS CROSSWALK LINE		PAVEMENT MESSAGE THERMOPLASTIC LANE INDICATION ARROW	SNOWPLOWABLE RAISED PAVEMENT MARKERS, REMOVE	SNOWPLOWABLE RAISED PAVEMENT MARKERS
	SOLID WHITE 4 in ft	SOLID YELLOW 4 in ft	SOLID WHITE 4 in ft	SOLID YELLOW 4 in ft	BROKEN WHITE 4 in ft	BROKEN YELLOW 4 in ft	SOLID YELLOW 24 in ft	SOLID YELLOW 4 in ft	BROKEN WHITE 4 in ft	BROKEN YELLOW 4 in ft	SOLID WHITE 12 in ft	SOLID WHITE 24 in ft	SOLID YELLOW 24 in ft	SOLID YELLOW 24 in ft	SOLID YELLOW 4 in ft	SOLID YELLOW 8 in ft			
	EACH	EACH	EACH	EACH	EACH	EACH	EACH	EACH	EACH	EACH	EACH	EACH	EACH	EACH	EACH				
<b>TOTAL</b>	0	0																0	0

**NOTE TO REVIEWER**  
Summary tables to be completed in future submittals.

**DRAFT**  
NOT FOR CONSTRUCTION

RECOMMENDED FOR APPROVAL \_\_\_\_\_ DATE \_\_\_\_\_  
DESIGNED BY: \_\_\_\_\_ EAS DRAWN BY: \_\_\_\_\_ EAS  
CHECKED BY: \_\_\_\_\_ DSB CHECKED BY: \_\_\_\_\_ NDB

INDIANA DEPARTMENT OF TRANSPORTATION  
**BRIDGE SUMMARY**

HORIZONTAL SCALE	BRIDGE FILE
N/A	165-180-05489A
VERTICAL SCALE	DESIGNATION
N/A	2002364
SURVEY BOOK	SHEETS TBL-01
ELECTRONIC	9 of 9
CONTRACT	PROJECT
R-42909	2001172