

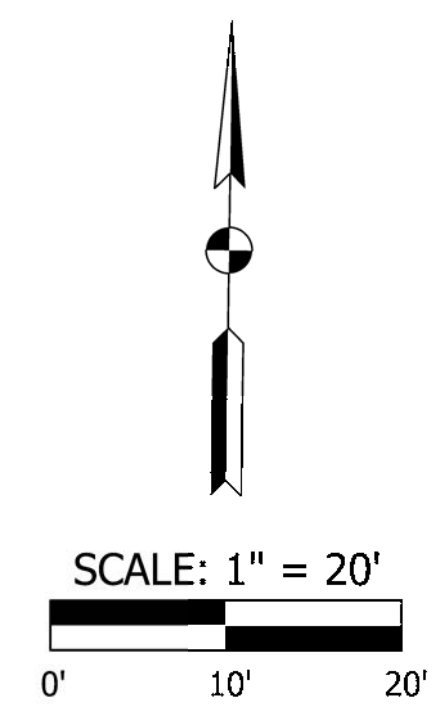
INDIANA
SR124

improving pavement conditions and roadway drainage

PROJECT CORRIDOR

INDOT Des. No. 2001852





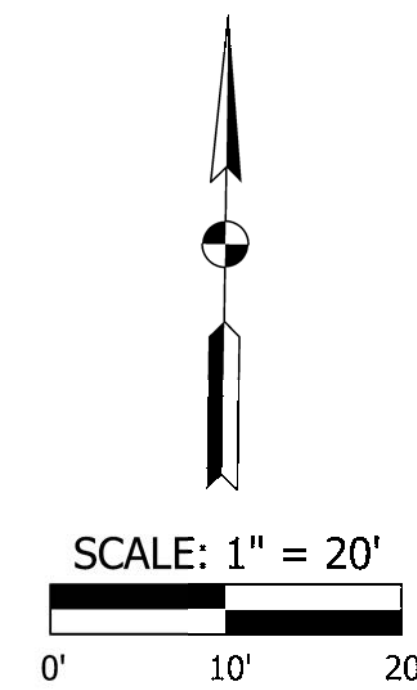
INDIANA
SR124

improving pavement conditions and roadway drainage

PROJECT CORRIDOR

INDOT Des. No. 2001852





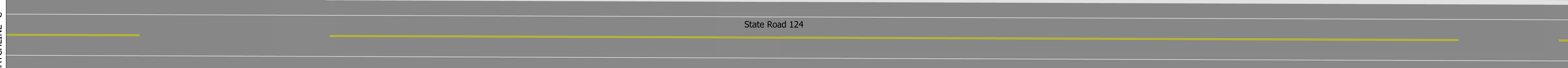
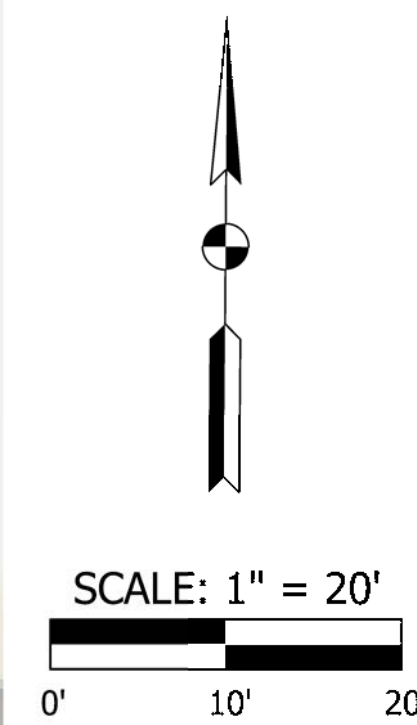
INDIANA
SR124

improving pavement conditions and roadway drainage

PROJECT CORRIDOR

INDOT Des. No. 2001852





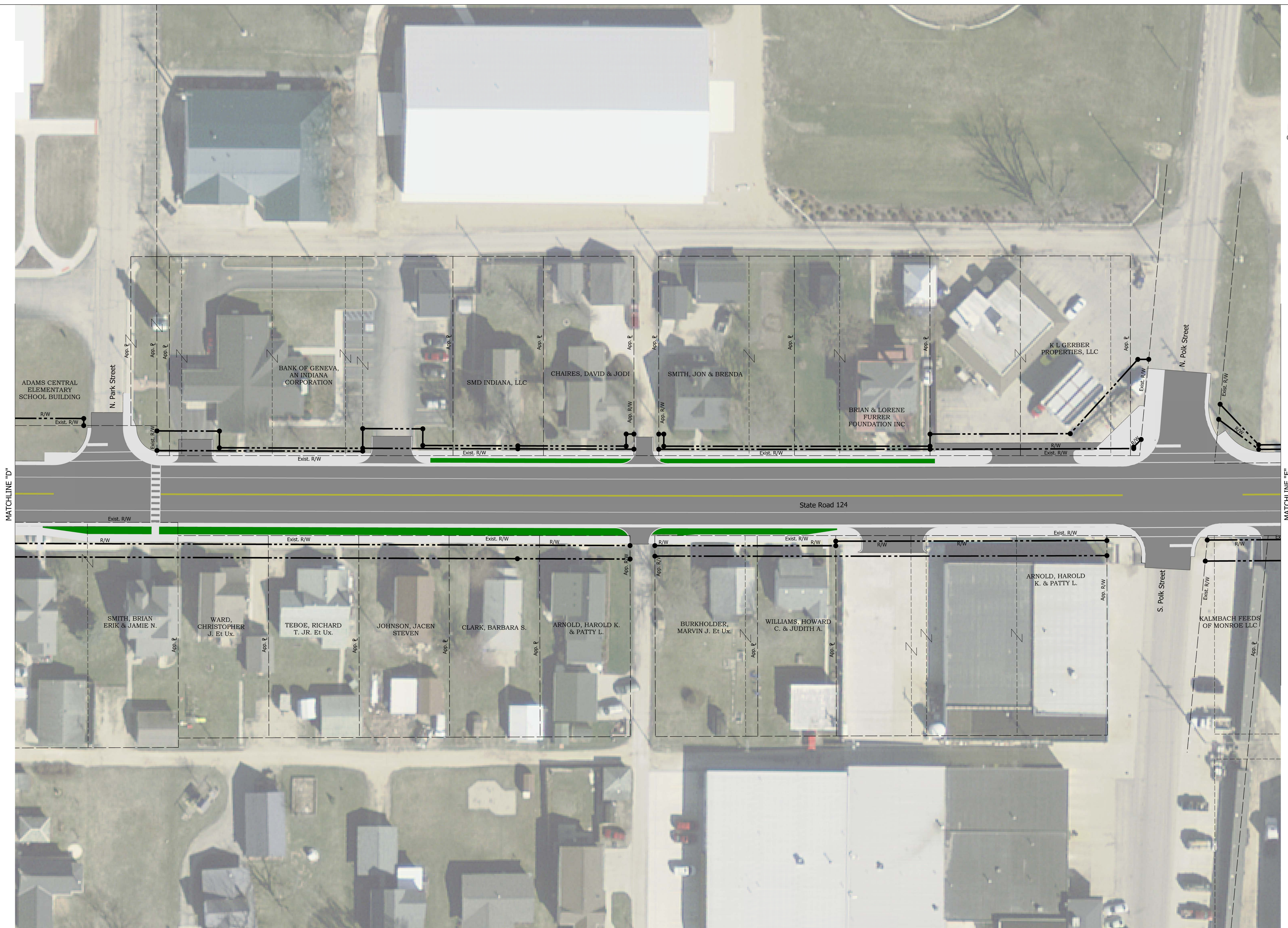
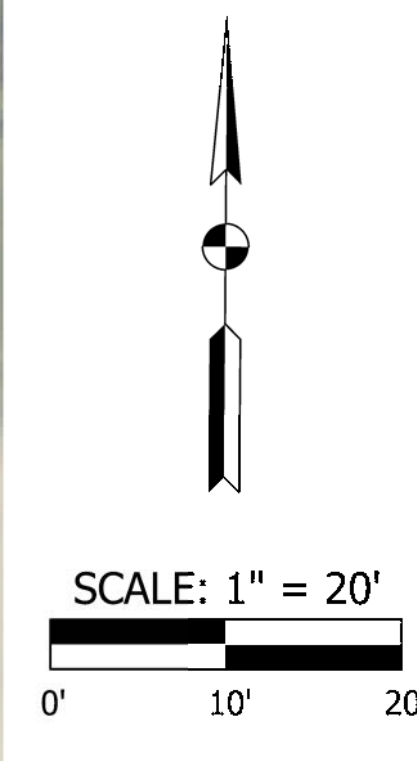
INDIANA
SR124

improving pavement conditions and roadway drainage

PROJECT CORRIDOR

INDOT Des. No. 2001852





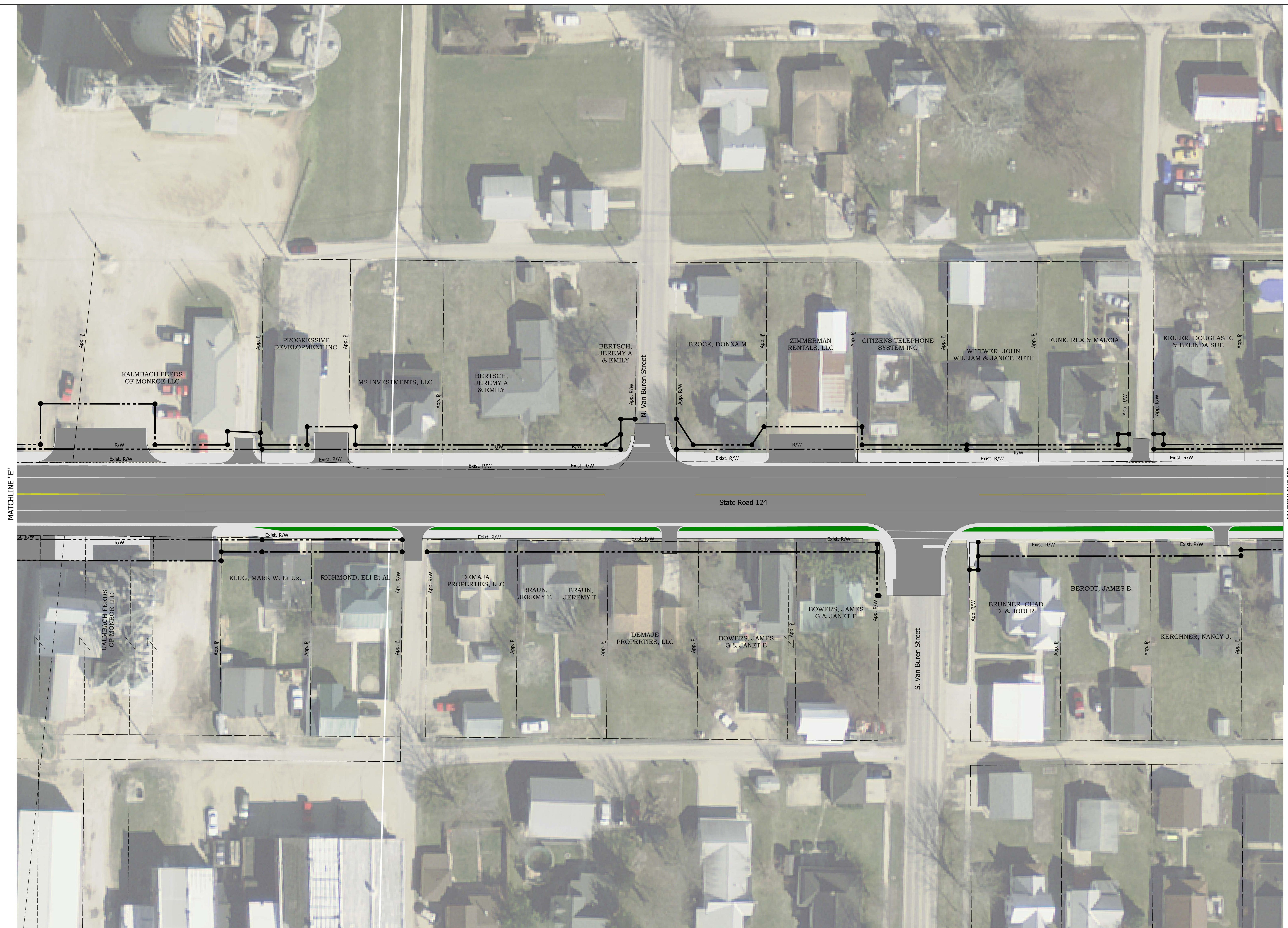
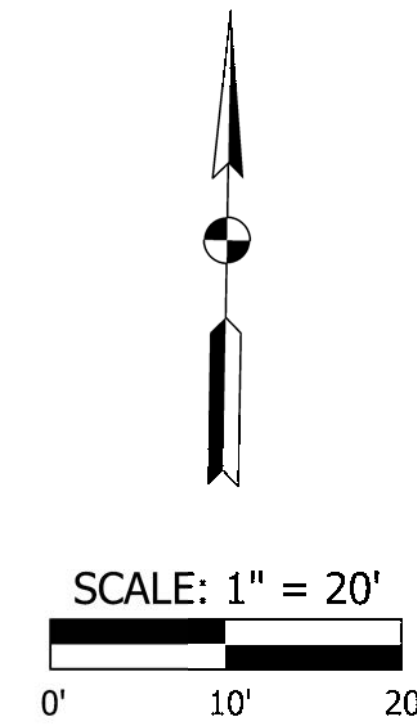
INDIANA
SR124

improving pavement conditions and roadway drainage

PROJECT CORRIDOR

INDOT Des. No. 2001852





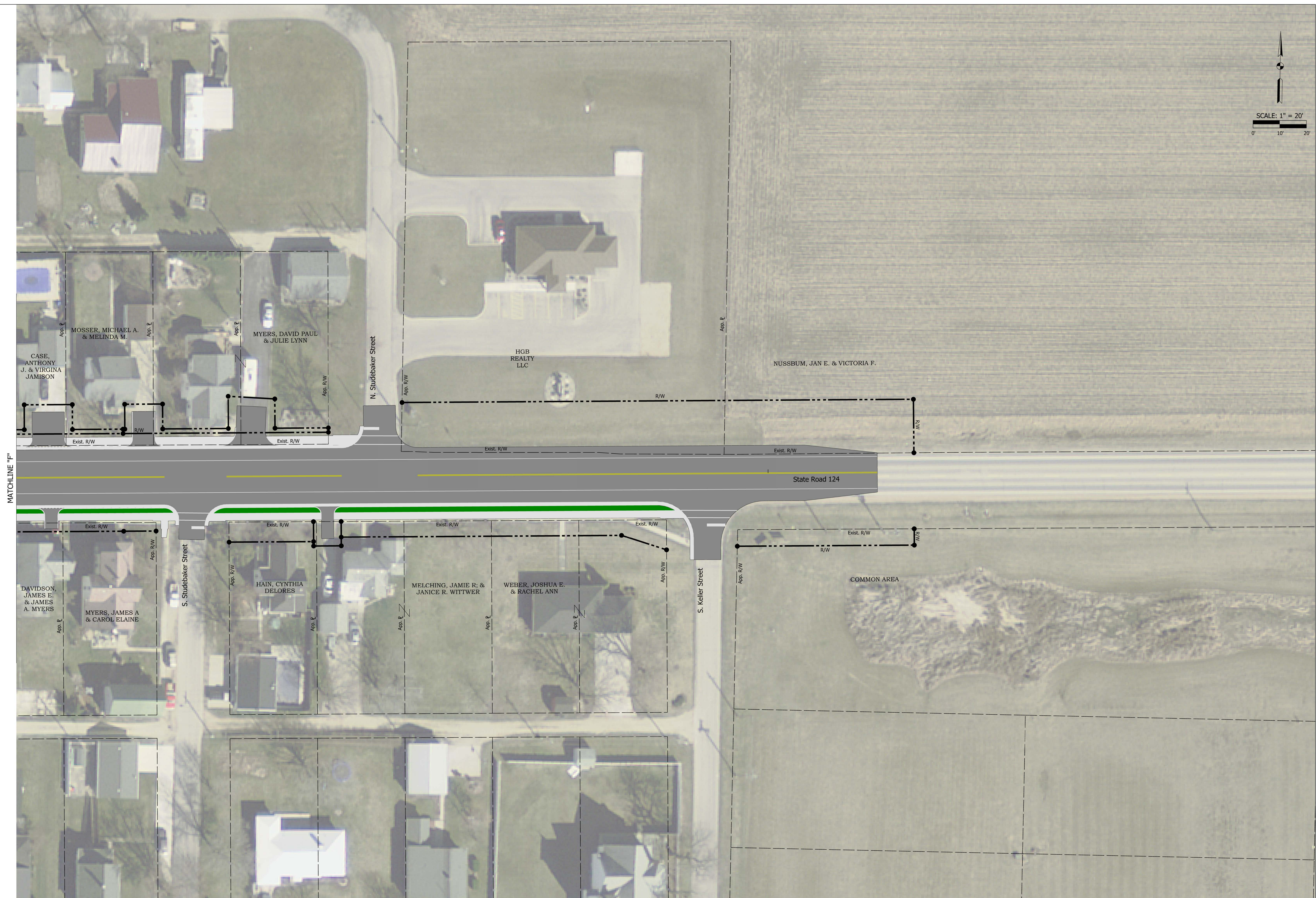
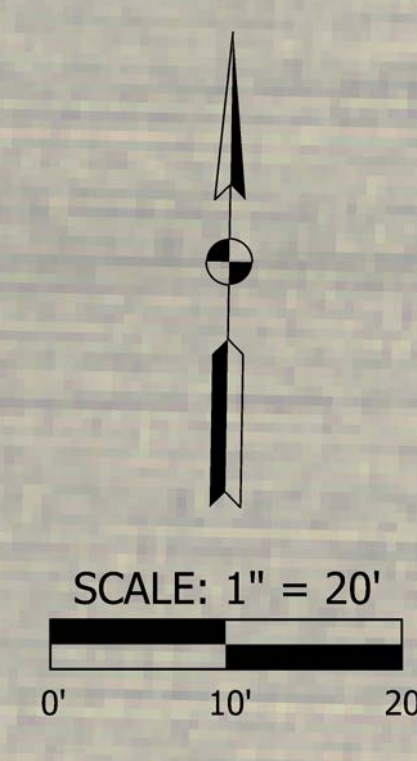
INDIANA
SR124

improving pavement conditions and roadway drainage

PROJECT CORRIDOR

INDOT Des. No. 2001852





INDIANA
SR124

improving pavement conditions and roadway drainage

PROJECT CORRIDOR

INDOT Des. No. 2001852

