

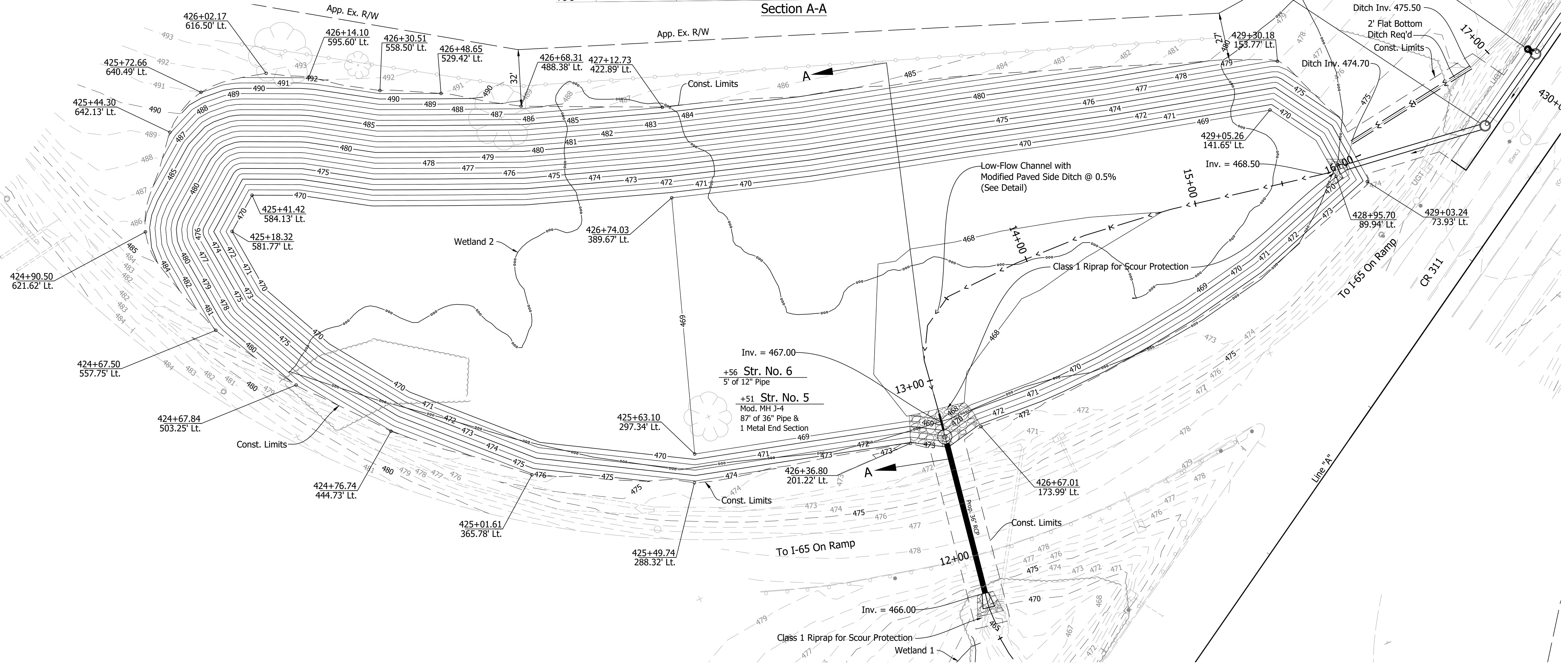
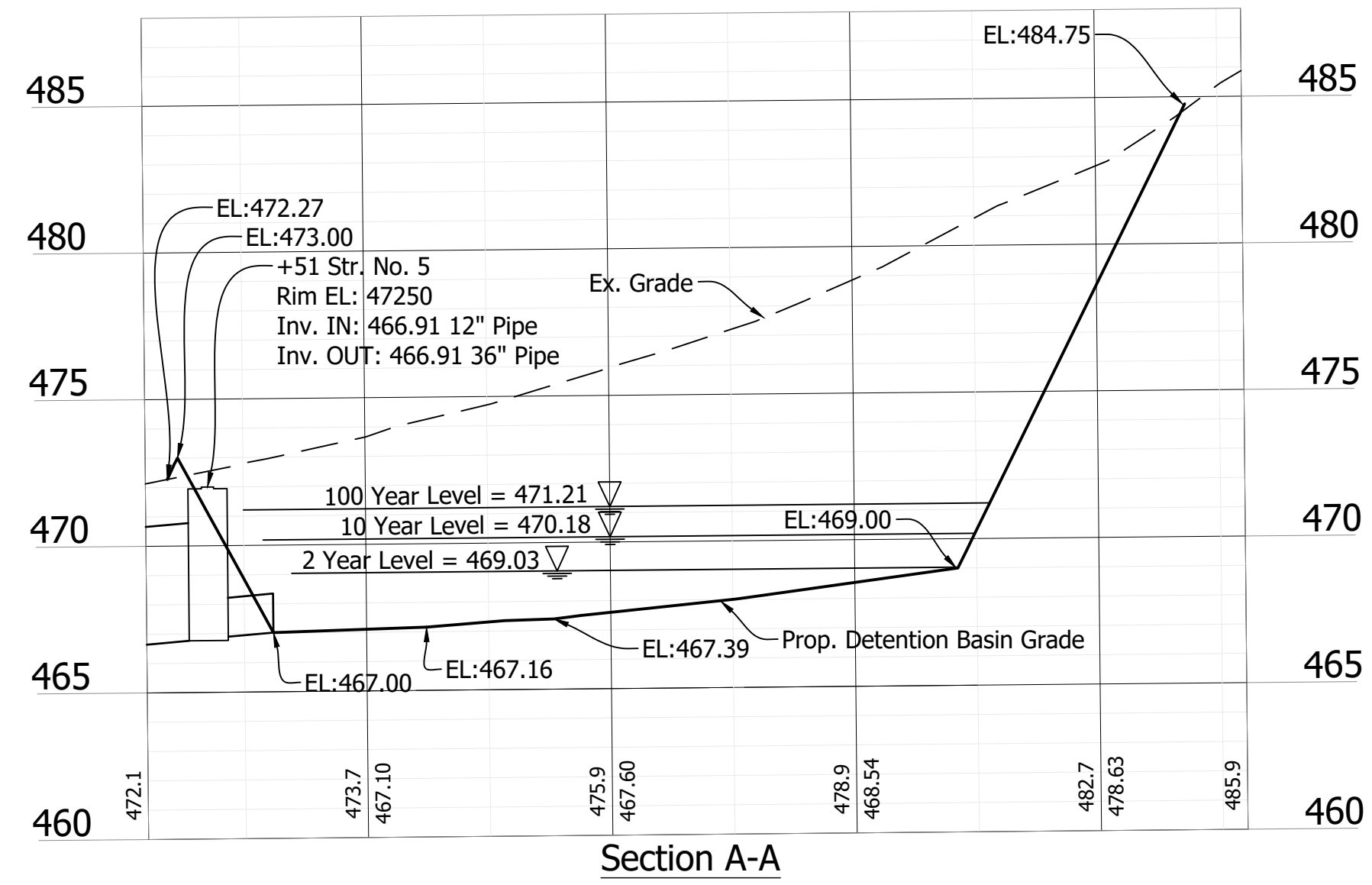
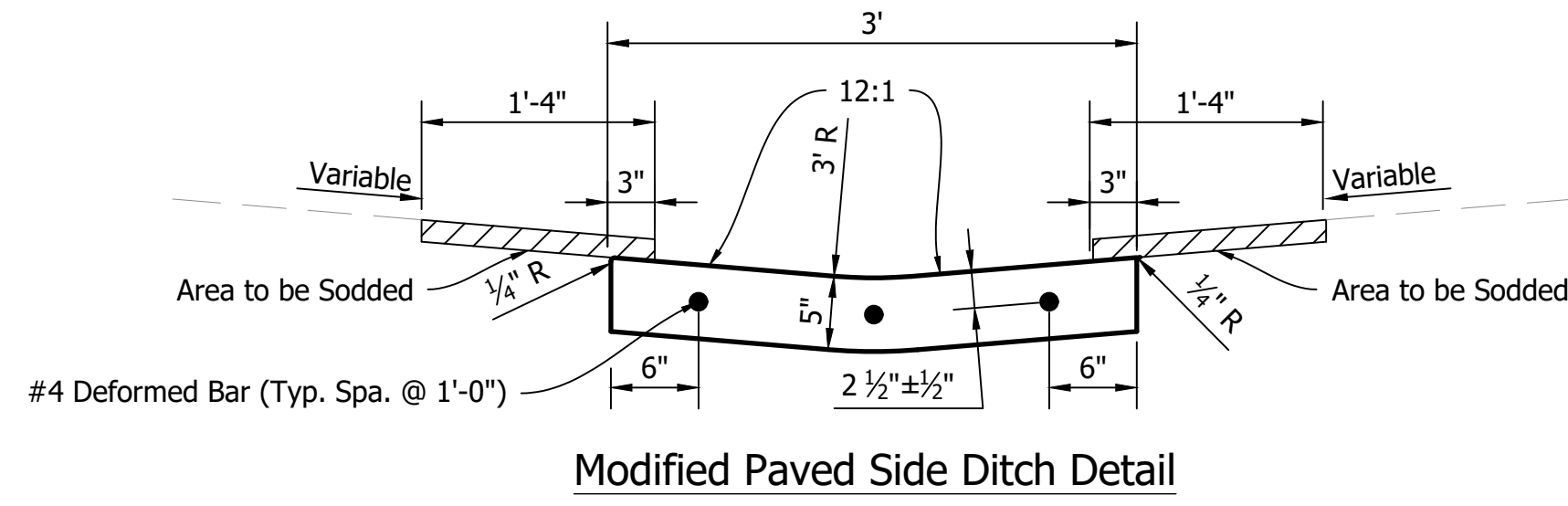
DIRECTORY: S:\Project Files\2017\17-0199\CADD\Design Sheet Sets\
 FILE: 17-0199 Detention Pond Sheets.dwg
 DIMSCALE: 1 LTSCALE: 1
 PLOTTED BY: mwarren
 DATE: Sep 14, 2022 - 12:01pm

RECOMMENDED FOR APPROVAL		DESIGN ENGINEER		DATE	
DESIGNED:	BWS	DRAWN:	MRW		
CHECKED:	ACD	CHECKED:	BWS		

INDIANA
DEPARTMENT OF TRANSPORTATION

OVERALL DETENTION BASIN PLAN

HORIZONTAL SCALE	BRIDGE FILE
1"=20'	N/A
VERTICAL SCALE	DESIGNATION
	1700111
SURVEY BOOK	SHEETS
	83 of 152
CONTRACT	PROJECT
R-40412	1700111



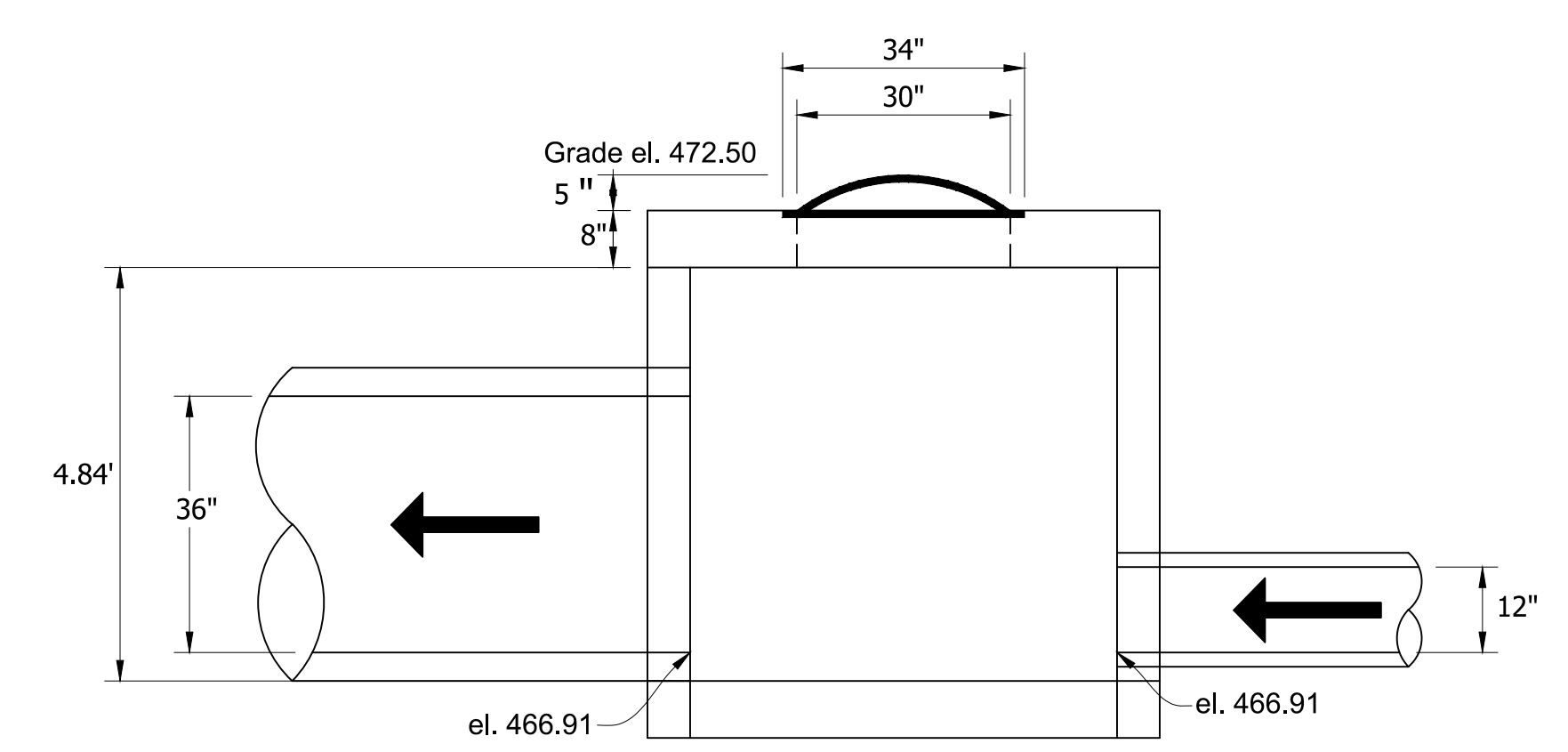
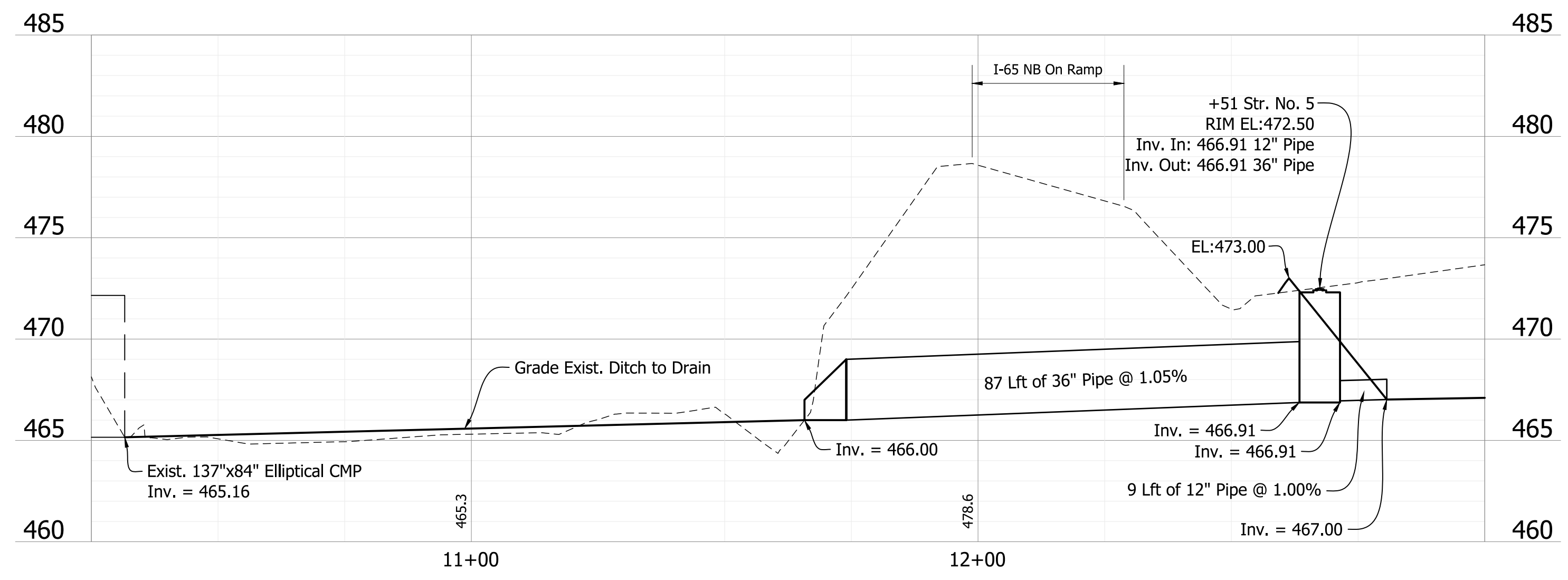
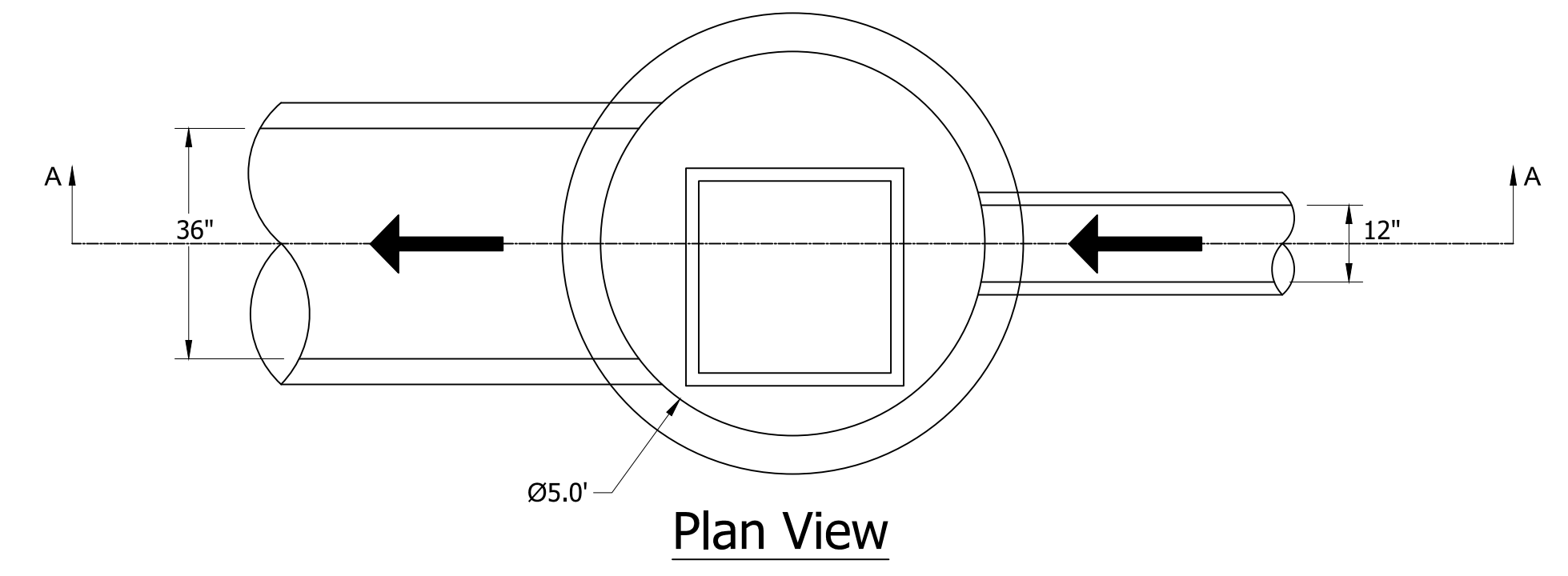
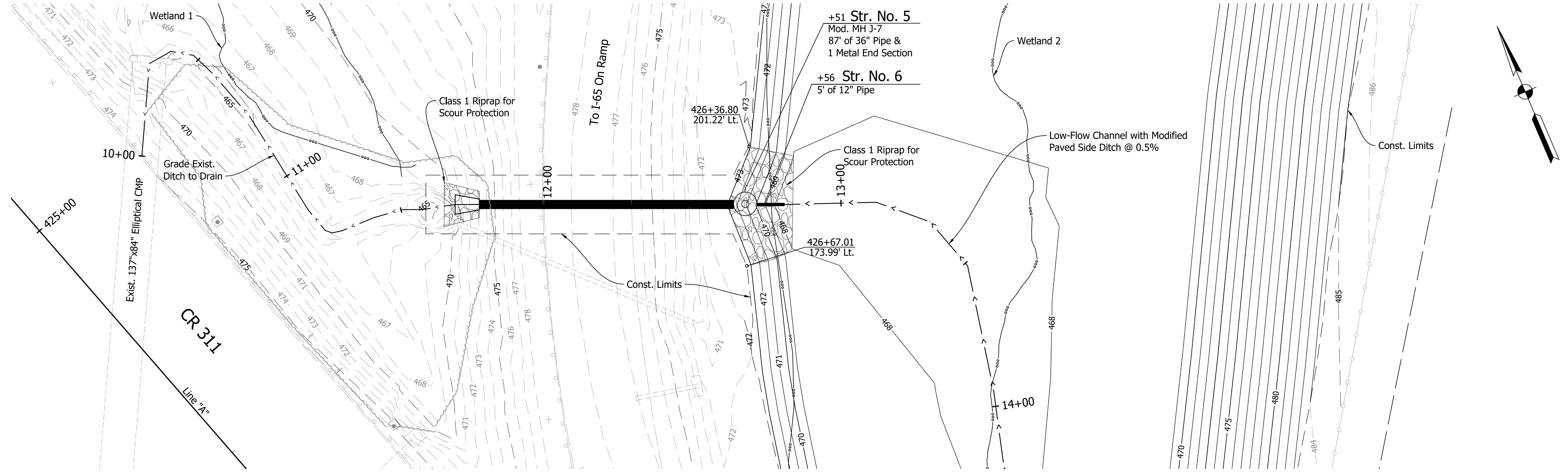
DIRECTORY: S:\Project Files\2017\17-0199\CADD\Design\Sheet Sets\
 FILE: 17-0199 Grading Plan Detention Basin.dwg
 DIMSCALE: 1/8" = 1'-0"
 PLOTTED BY: mwarren
 DATE: Sep 14, 2022 - 12:02pm

RECOMMENDED FOR APPROVAL		DESIGN ENGINEER		DATE	
DESIGNED:	BWS	DRAWN:	MRW		
CHECKED:	ACD	CHECKED:	BWS		

INDIANA
DEPARTMENT OF TRANSPORTATION

GRADING PLAN
DETENTION BASIN

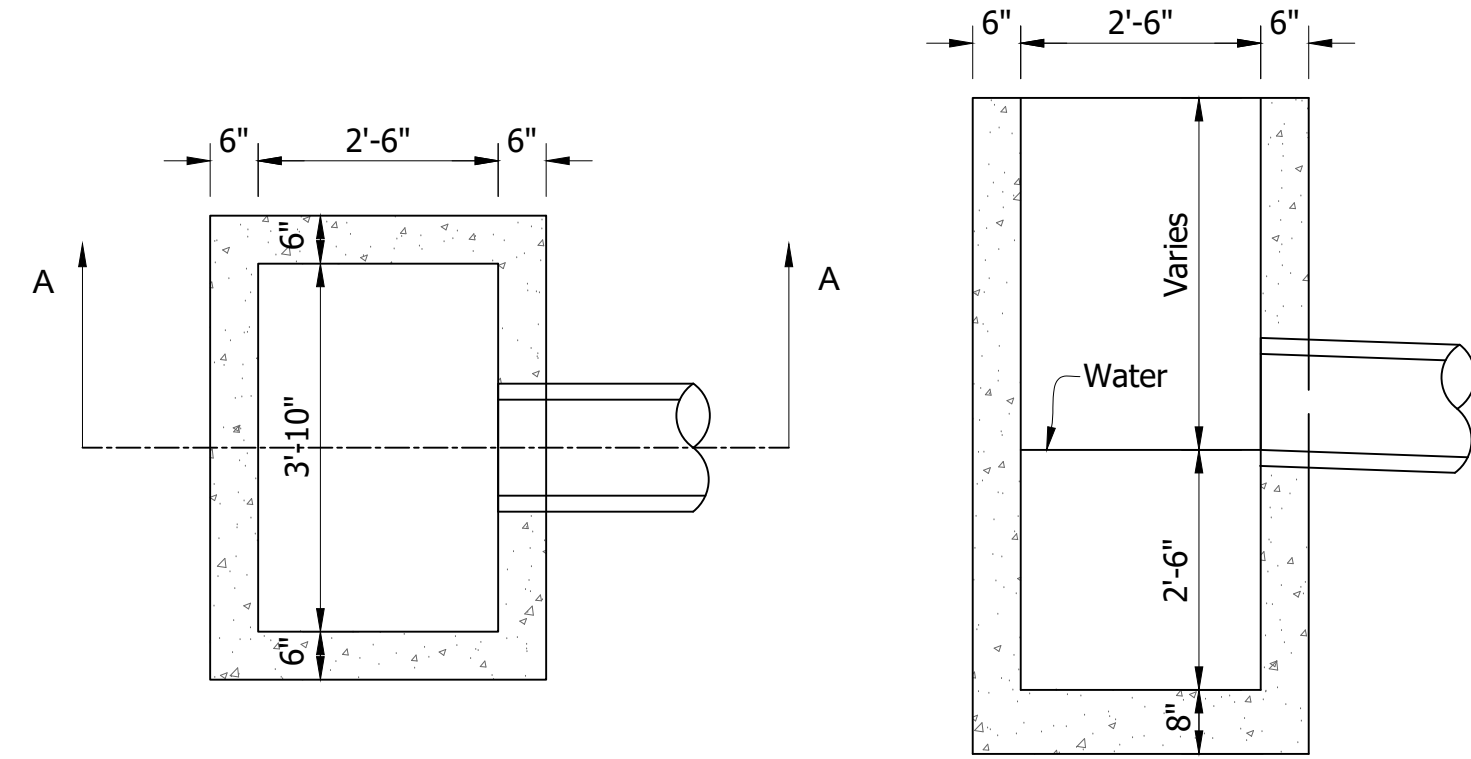
HORIZONTAL SCALE	BRIDGE FILE
1" = 30'	N/A
VERTICAL SCALE	DESIGNATION
N/A	1700111
SURVEY BOOK	SHEETS
	84 of 152
CONTRACT	PROJECT
R-40412	1700111



Structure No. 5 - Modified Manhole Type J-7
Scale: 1" = 1'

DIRRECTORY: S:\Project Files\2017\17-0199\CADD\Design\Sheet Sets\
FILE: 17-0199 Grading Plan_StrN65&6.dwg
DIMSCALE: 1 LTSCALE: 1
PLOTTED BY: mwarren
DATE: Sep 14, 2022 - 12:04pm

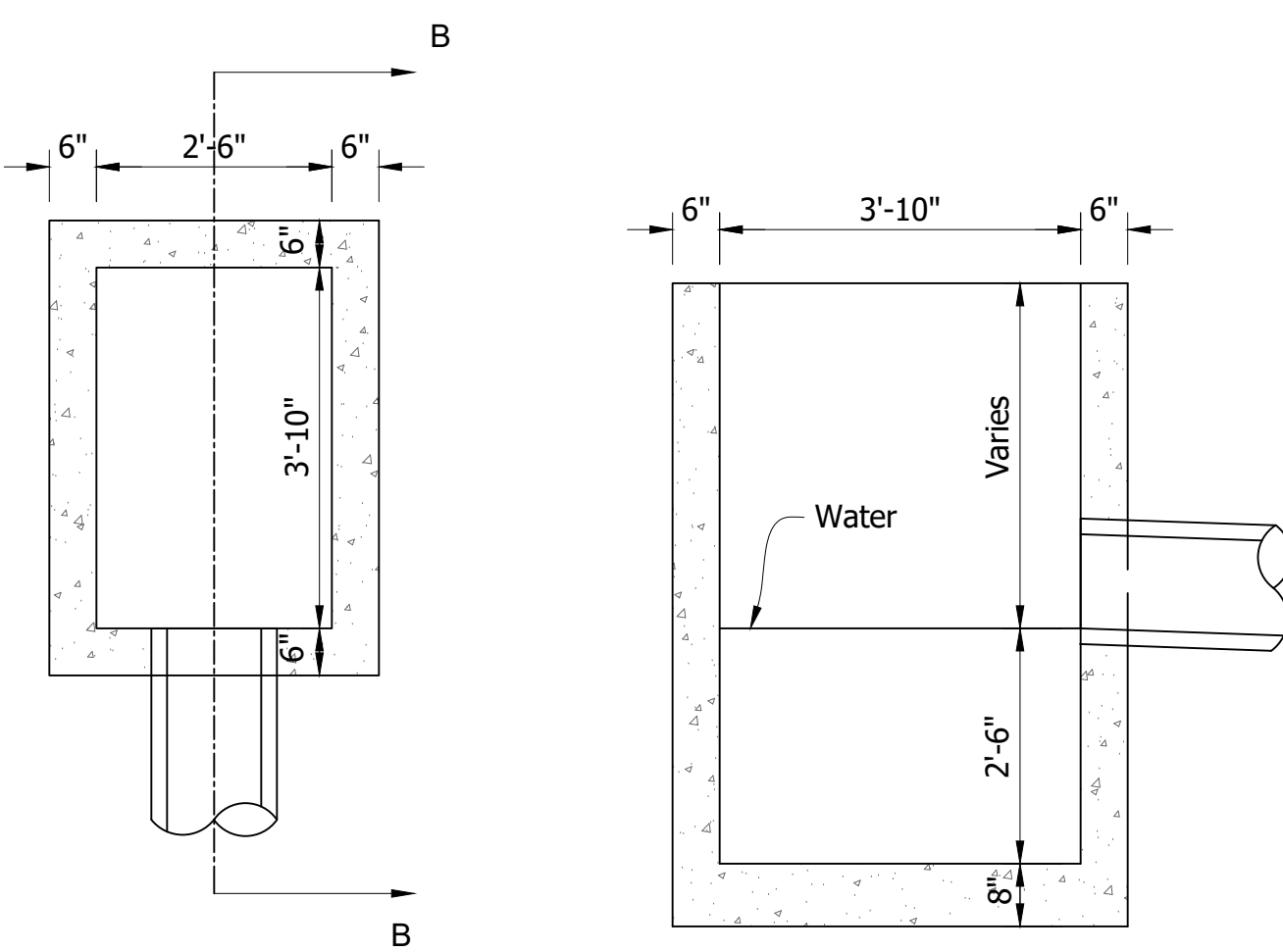
	RECOMMENDED FOR APPROVAL		INDIANA DEPARTMENT OF TRANSPORTATION		HORIZONTAL SCALE		BRIDGE FILE	
	DESIGN ENGINEER _____ DATE _____				1"=20"		N/A	
	DESIGNED: BWS	DRAWN: MRW	OUTLET STRUCTURE PLAN DETENTION BASIN		VERTICAL SCALE		DESIGNATION	
	CHECKED: ACD	CHECKED: BWS			1"=5"		1700111	
				SURVEY BOOK		SHEETS		
				CONTRACT R-40412		85 of 152		
						PROJECT		
						1700111		



Plan View

Section A-A

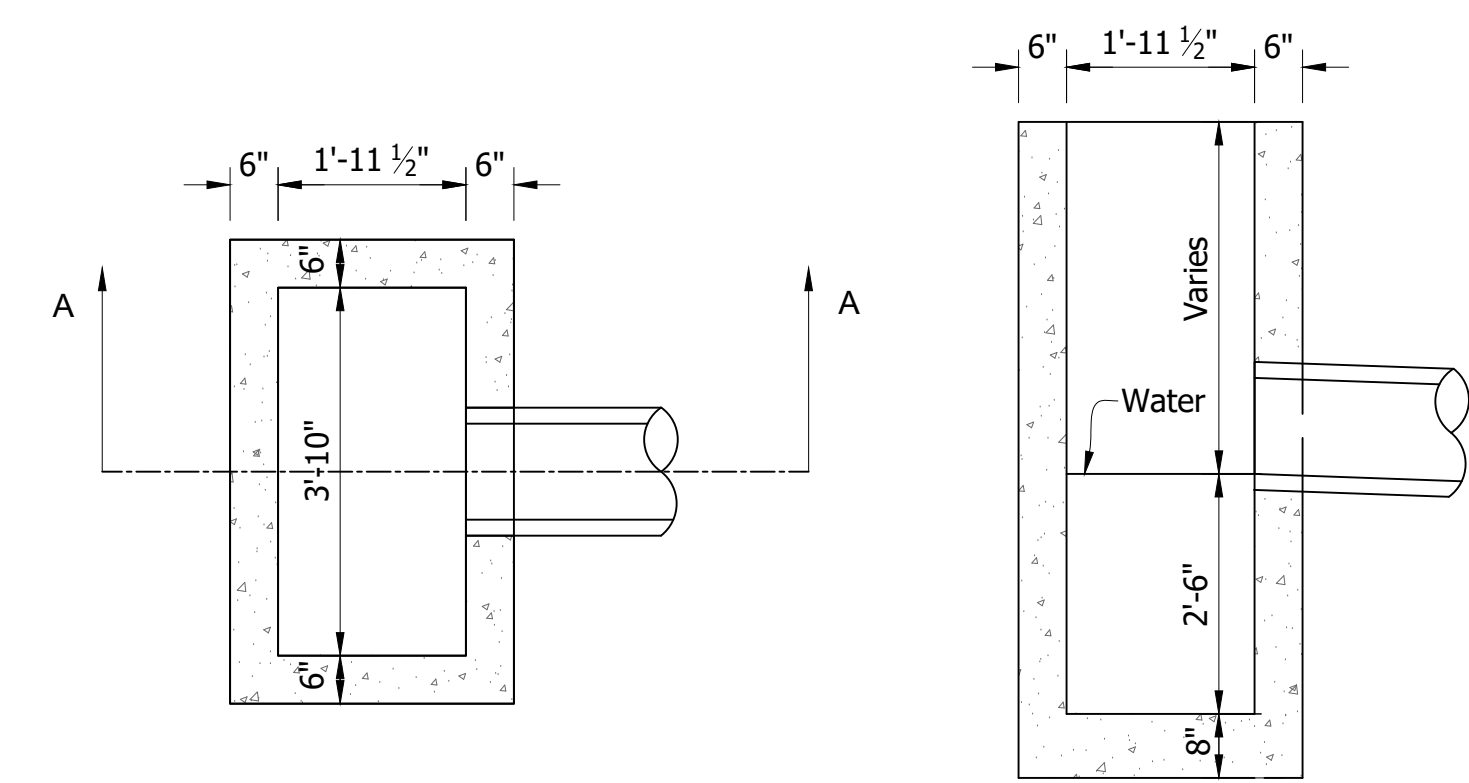
Catch Basin Type B



Plan View

Section B-B

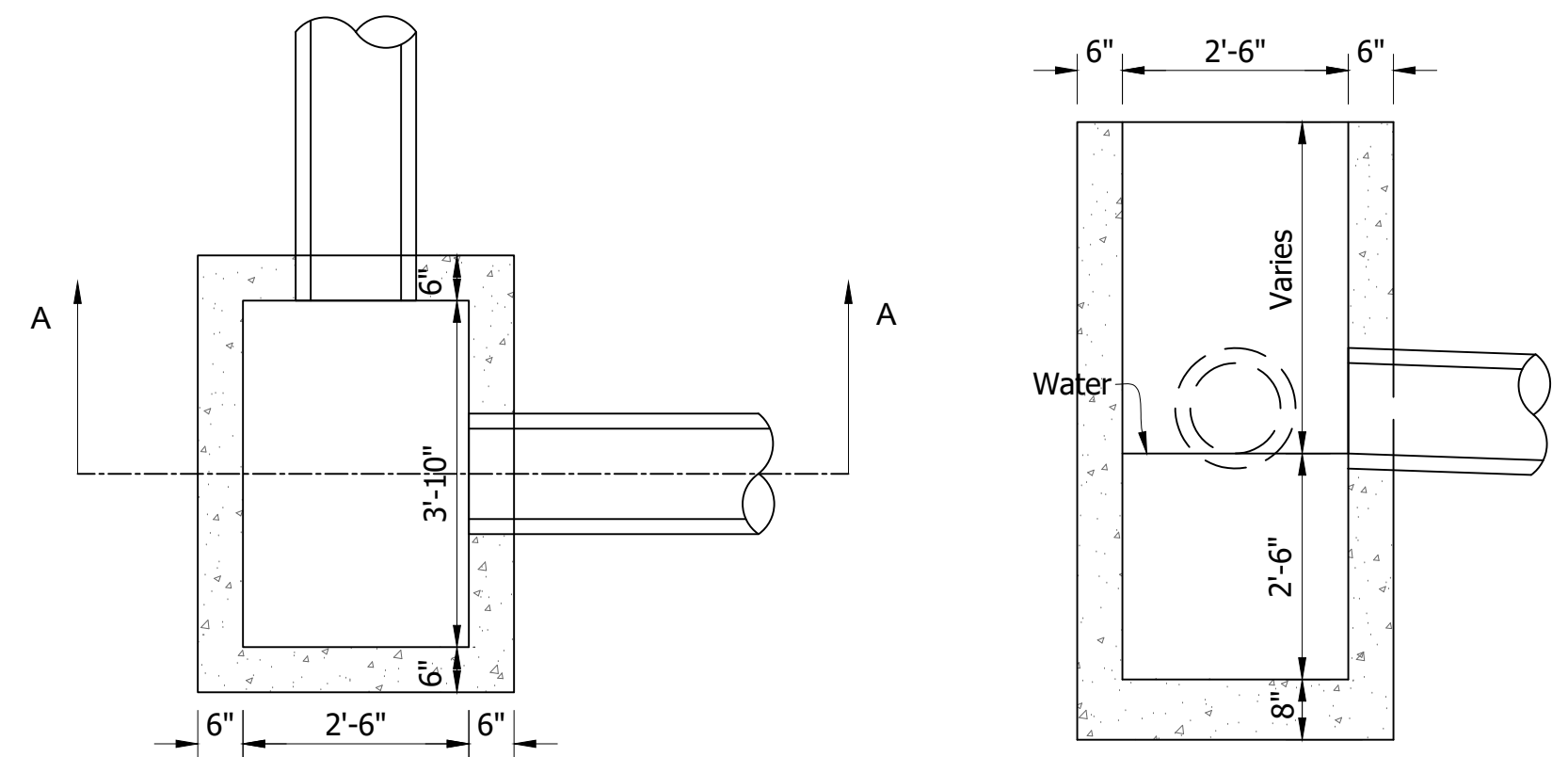
Catch Basin Type B



Plan View

Section A-A

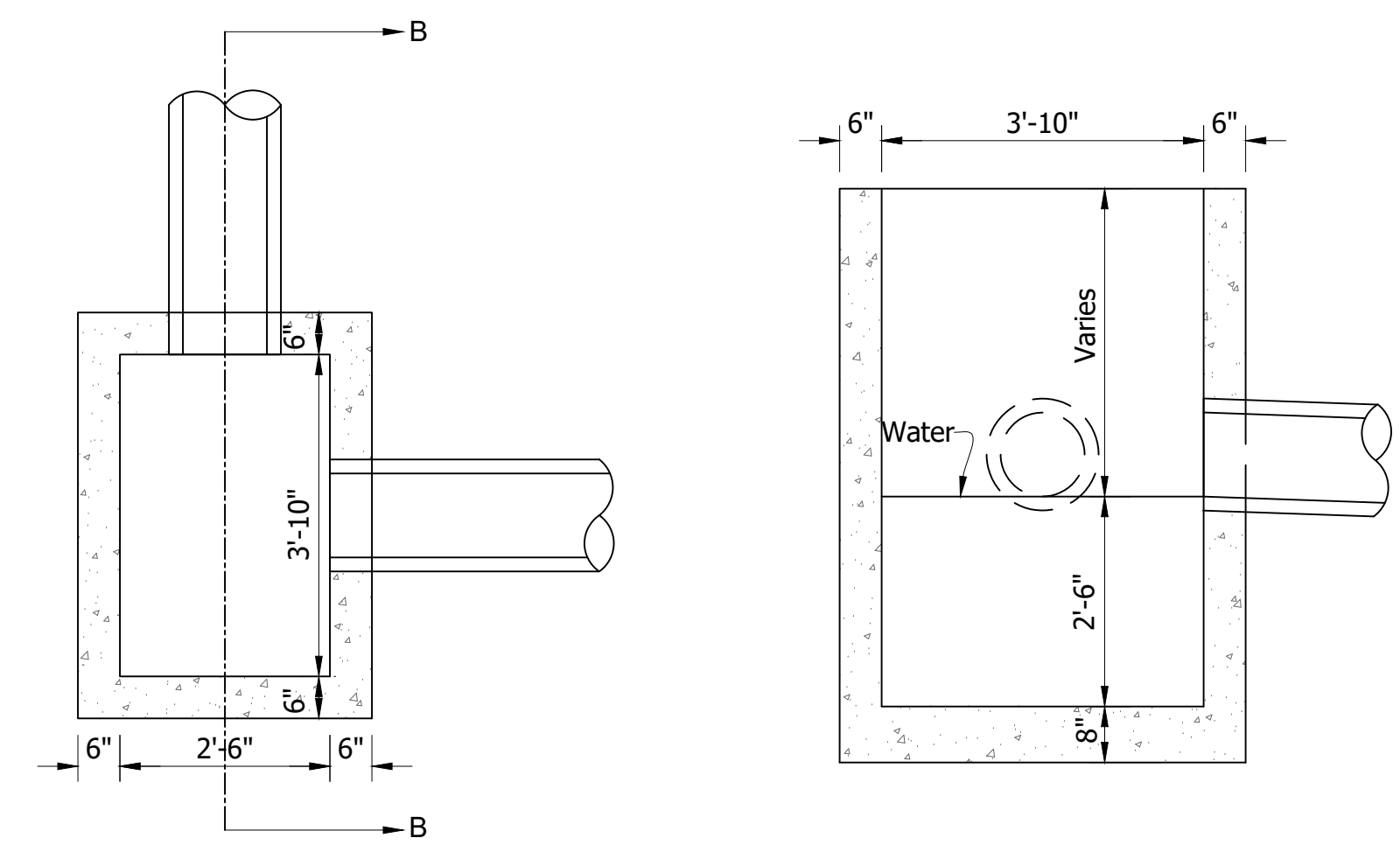
Catch Basin Type HA



Plan View

Section A-A

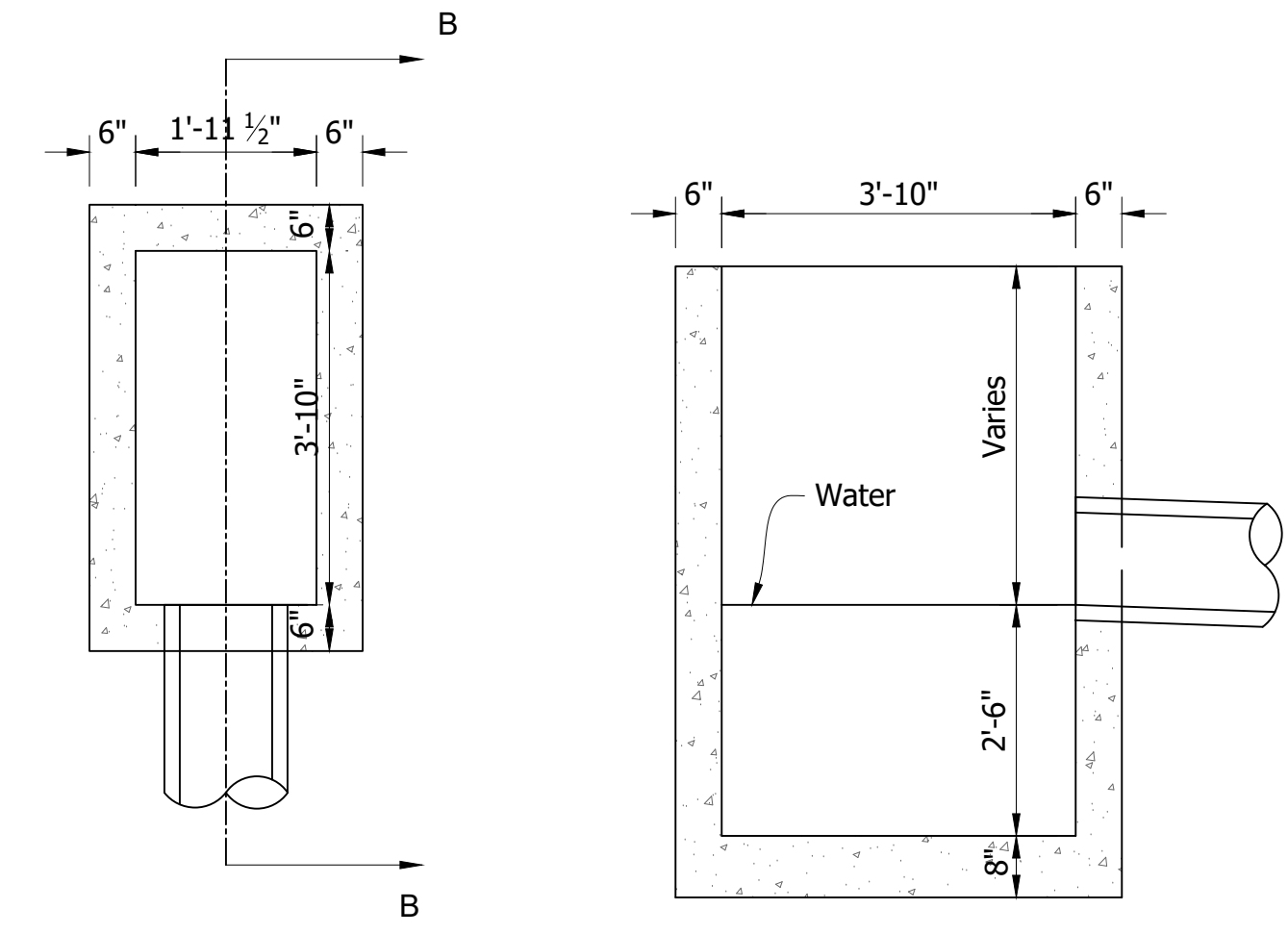
Catch Basin Type C



Plan View

Section B-B

Catch Basin Type C



Plan View

Section B-B

Catch Basin Type HA

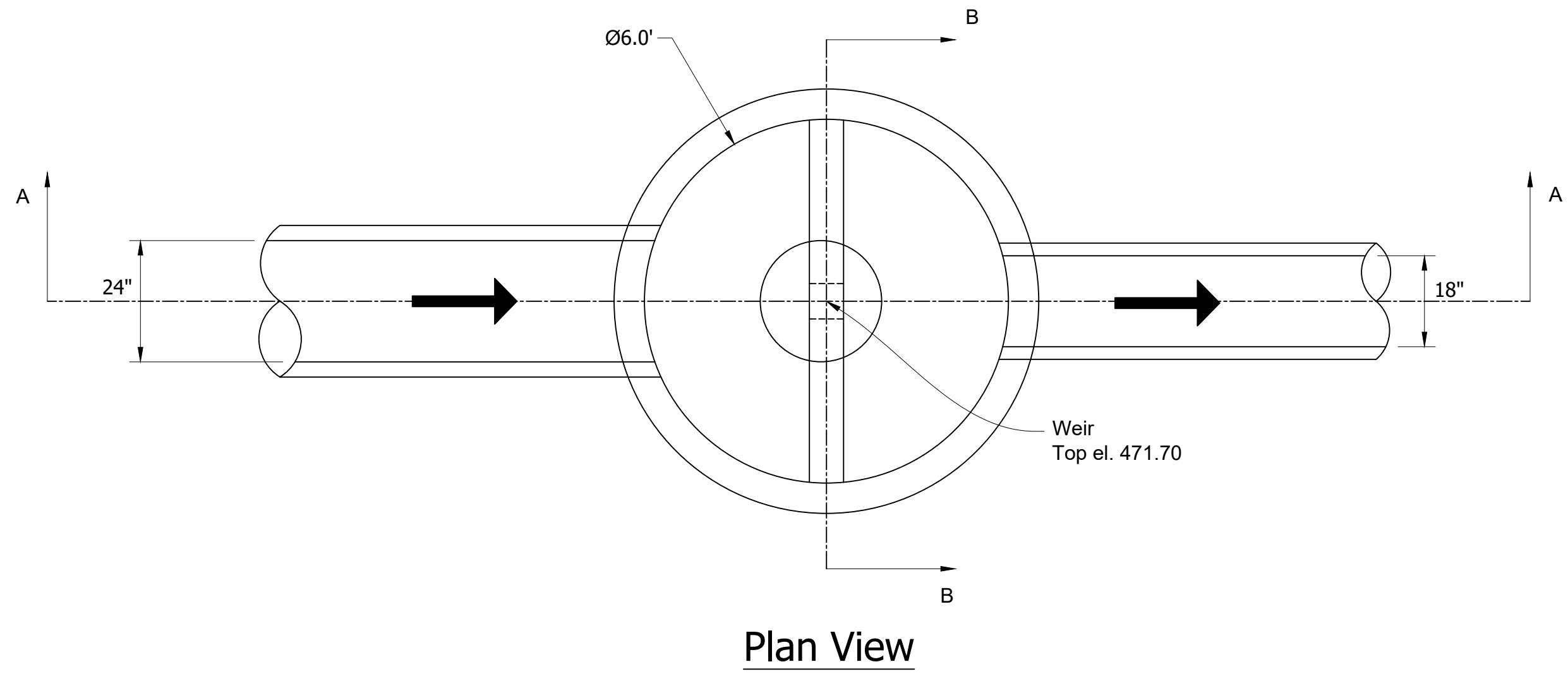
DIRECTORY: S:\Project Files\2017\17-0199\CADD\Design\Sheet Sets\
 FILE: 17-0199 Drainage Details.dwg
 DIMSCALE: 1/8" = 1'-0"
 PLOTTED BY: mwarren
 DATE: Sep 14, 2022 - 12:04pm

RECOMMENDED FOR APPROVAL		DESIGN ENGINEER	DATE
DESIGNED: BWS	DRAWN: MRW		
CHECKED: ACD	CHECKED: BWS		

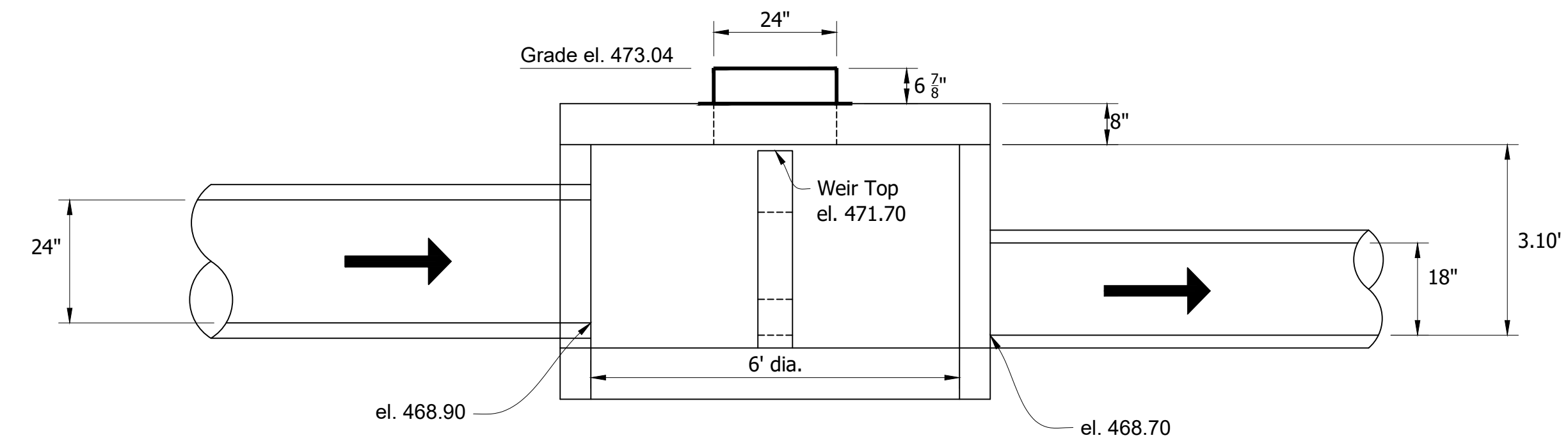
INDIANA
DEPARTMENT OF TRANSPORTATION

DRAINAGE DETAILS
CATCH BASIN DETAILS

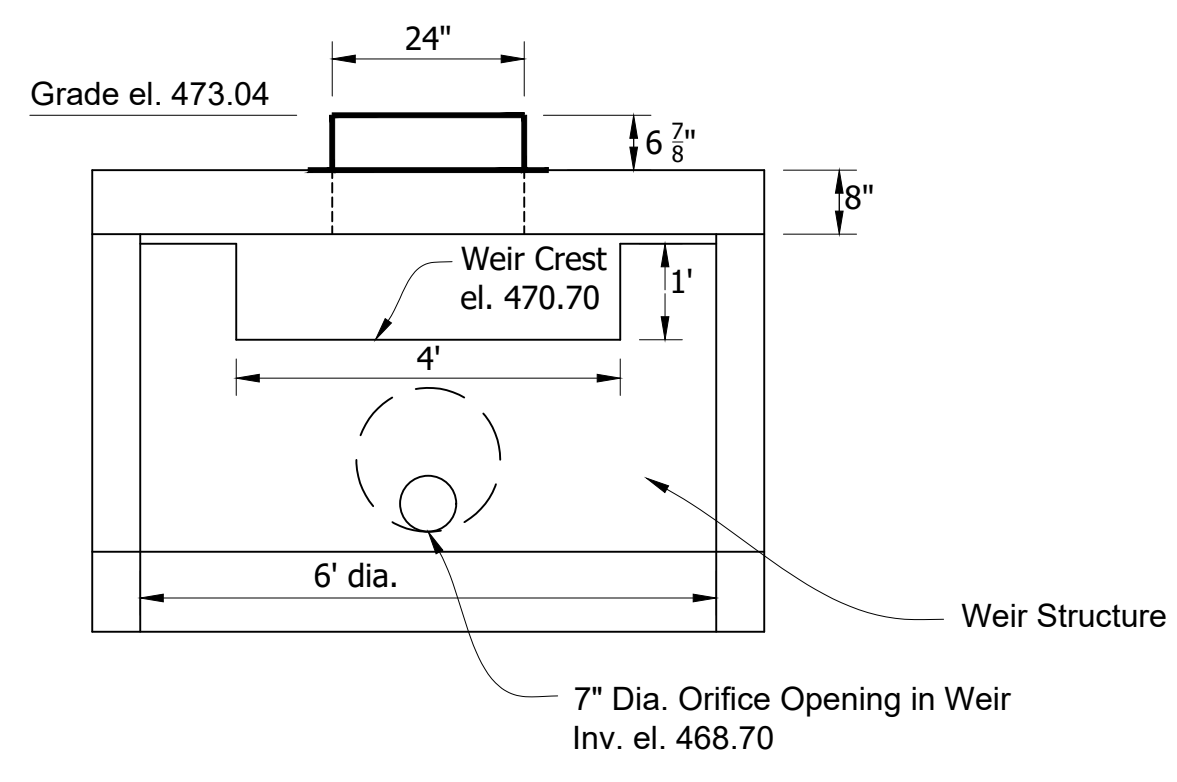
HORIZONTAL SCALE	BRIDGE FILE
1" = 1'	N/A
VERTICAL SCALE	DESIGNATION
1" = 1'	1700111
SURVEY BOOK	SHEETS
	86 of 152
CONTRACT	PROJECT
R-40412	1700111



Plan View

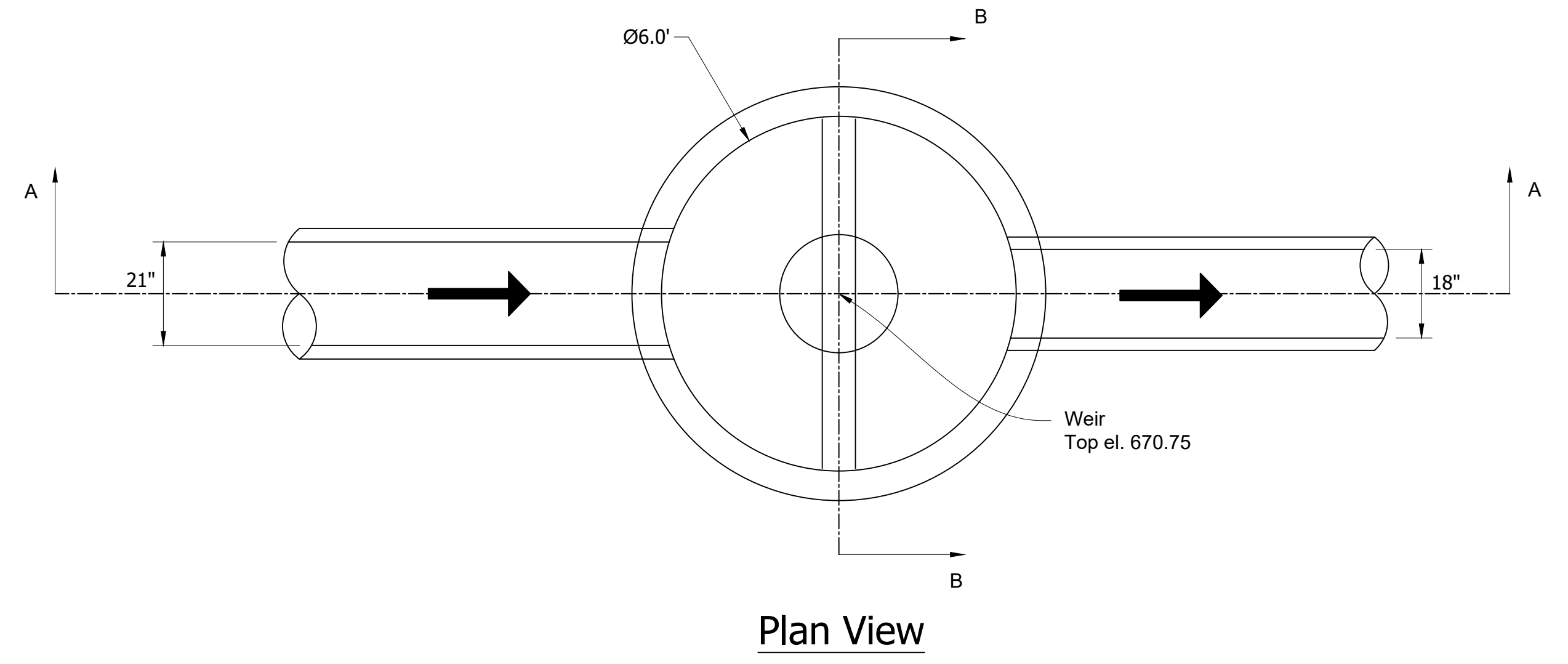


Section A-A

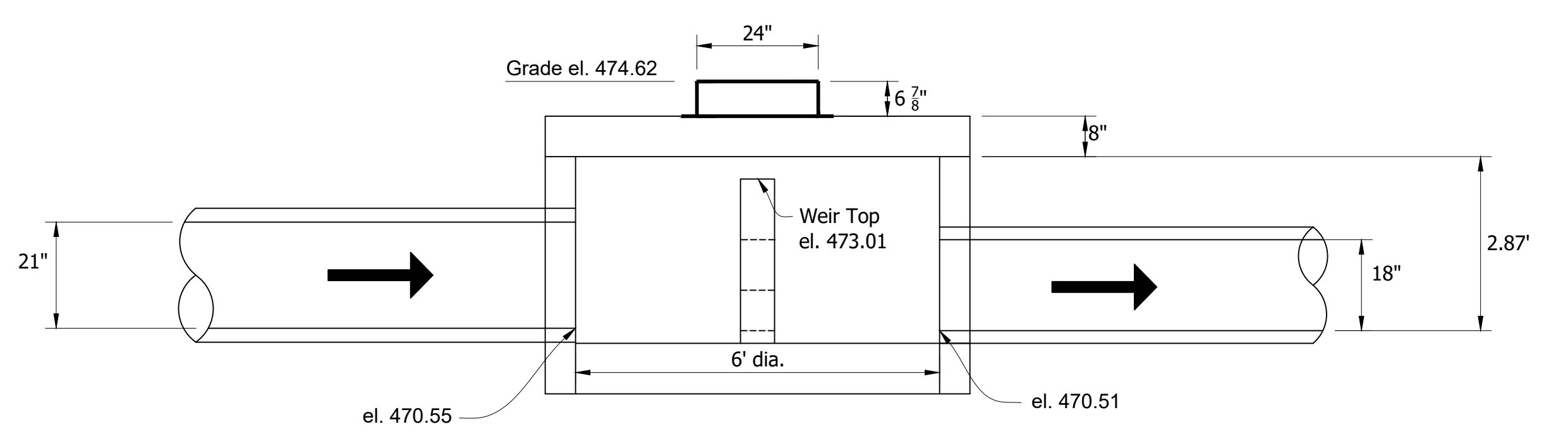


Section B-B

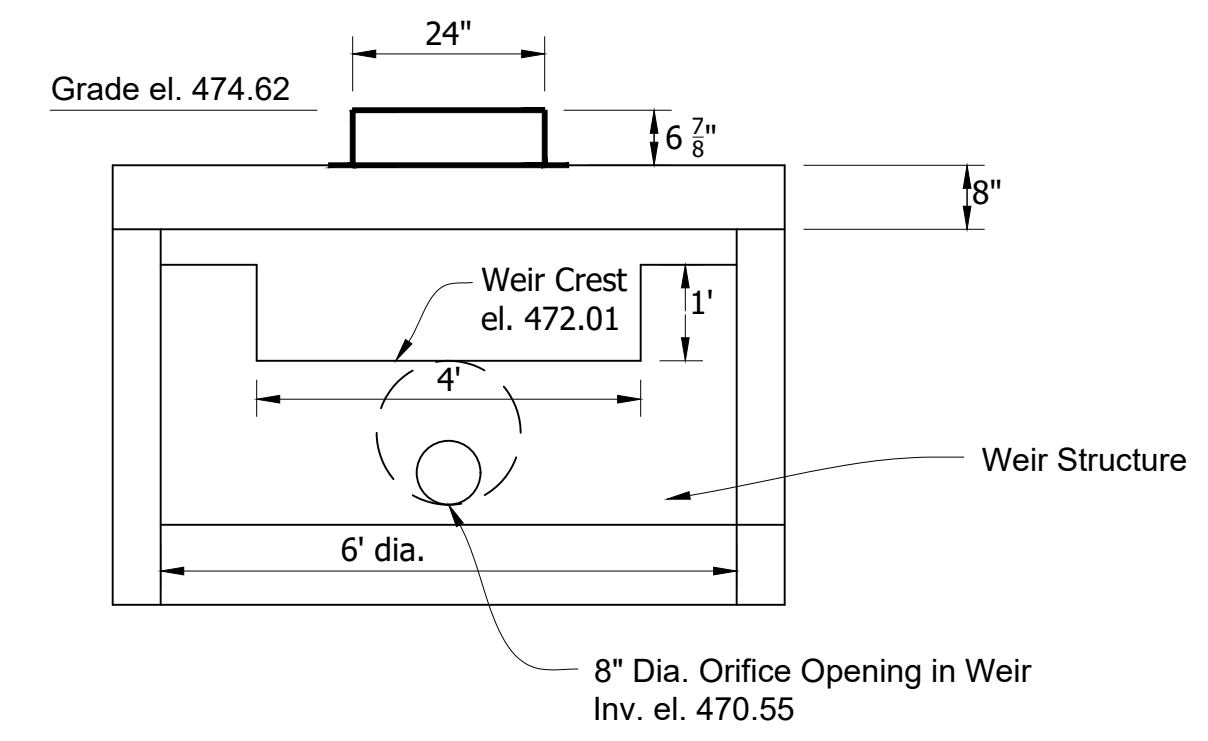
Structure No. 240B - Modified Manhole, Type K



Plan View



Section A-A



Section B-B

Structure No. 281A - Modified Manhole, Type K

DIRECTORY: S:\Project Files\2017\17-0199\CADD\Design\Sheet Sets\
 FILE: 17-0199 Drainage Details.dwg
 DIMSCALE: 1/8" = 1'-0"
 PLOTTED BY: mwarren
 DATE: Sep 14, 2022 - 12:04pm

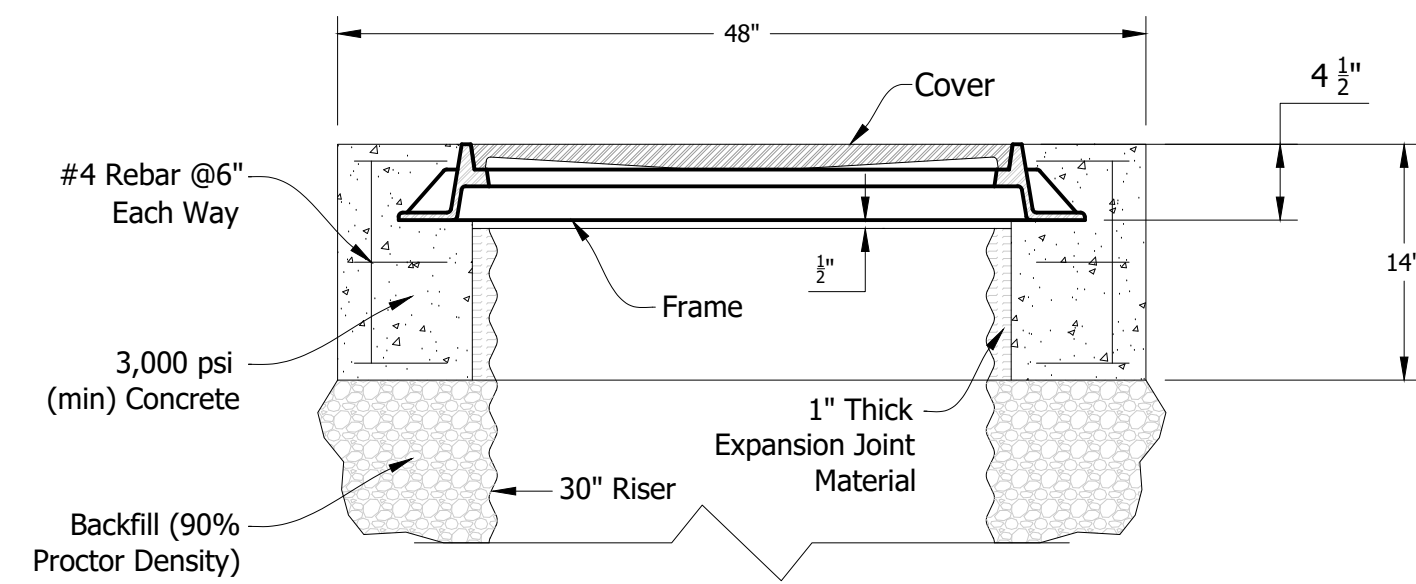
NOTES:
WEIR SHALL BE 6" WIDE CONCRETE - HEIGHT AS SPECIFIED

RECOMMENDED FOR APPROVAL _____		DESIGN ENGINEER _____ DATE _____	
DESIGNED: BWS	DRAWN: MRW		
CHECKED: ACD	CHECKED: BWS		

INDIANA
DEPARTMENT OF TRANSPORTATION
DRAINAGE DETAILS
WEIR STRUCTURE DETAILS

HORIZONTAL SCALE	BRIDGE FILE
1" = 1'	N/A
VERTICAL SCALE	DESIGNATION
1" = 1'	1700111
SURVEY BOOK	SHEETS
	87 of 152
CONTRACT	PROJECT
R-40412	1700111

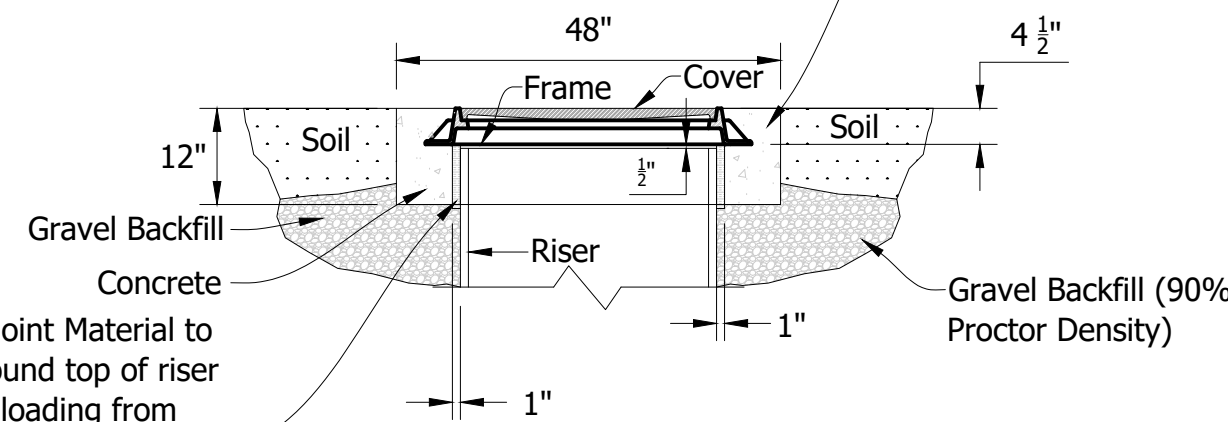
If traffic loading (H-20) is required or anticipated, a 4-foot diameter, 14-inch thick reinforced concrete pad must be placed over the Stormwater Treatment System Riser to support and level the manhole frame, as shown. The top of riser pipe must be wrapped with compressible expansion joint material to a minimum 1-inch thickness to allow transfer of wheel loads from manhole cover to concrete slab. Manhole cover shall bear on concrete slab and not on riser pipe. The concrete slab shall have a minimum strength of 3,000 psi and be reinforced with #4 reinforcing steel as shown. Minimum cover over reinforcing steel shall be 1-inch. Top of manhole cover and concrete slab shall be level with finish grade.



**Manhole Frame & Cover Detail
For Traffic Loading Areas
NTS**

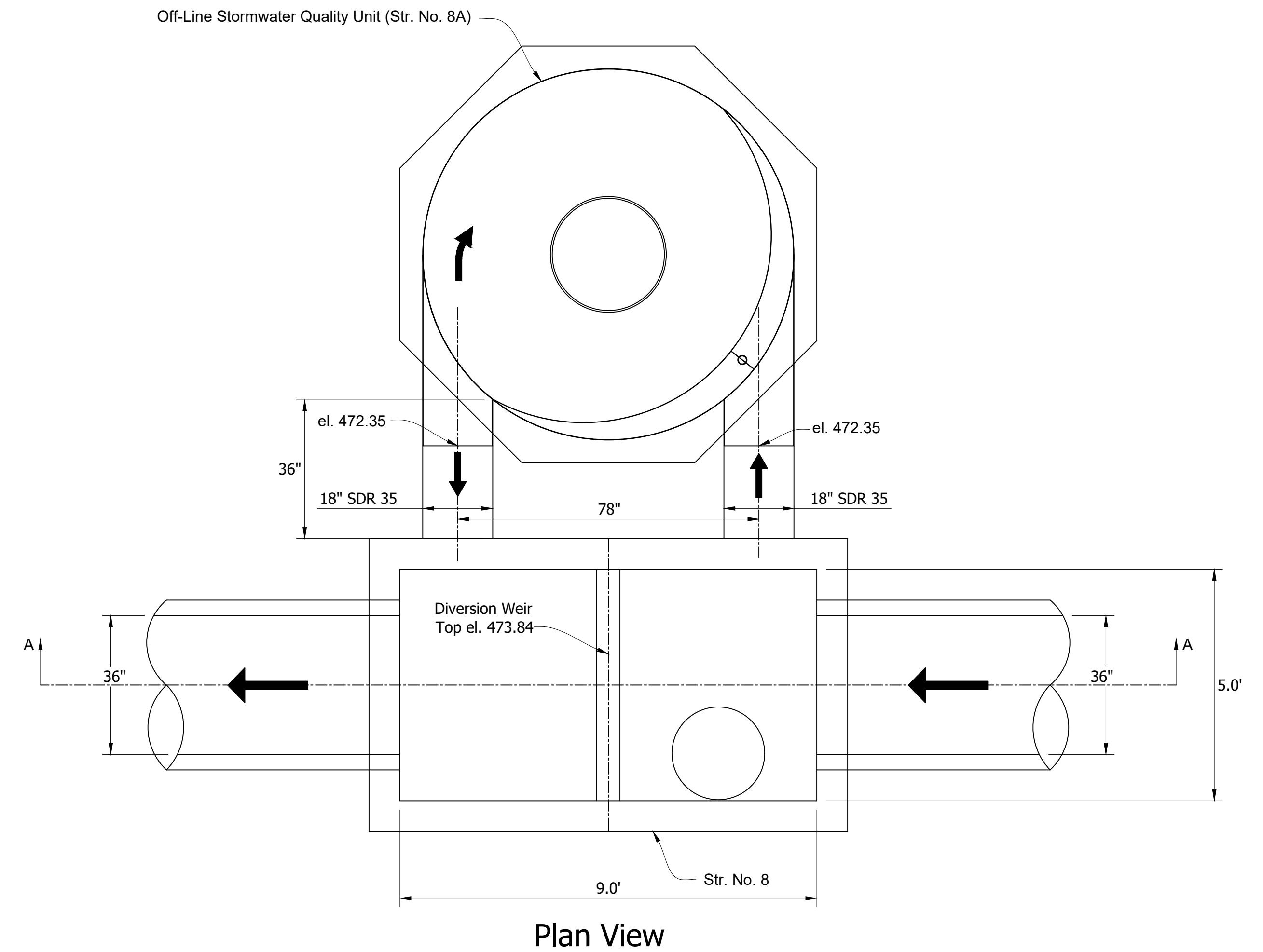
Unless other traffic barriers are present, bollards shall be placed around access riser(s) in non-traffic areas to prevent inadvertent loading by maintenance vehicles.

Place small amount of concrete [3,000 psi (min)] to support and level manhole frame. DO NOT allow manhole frame to rest upon riser.

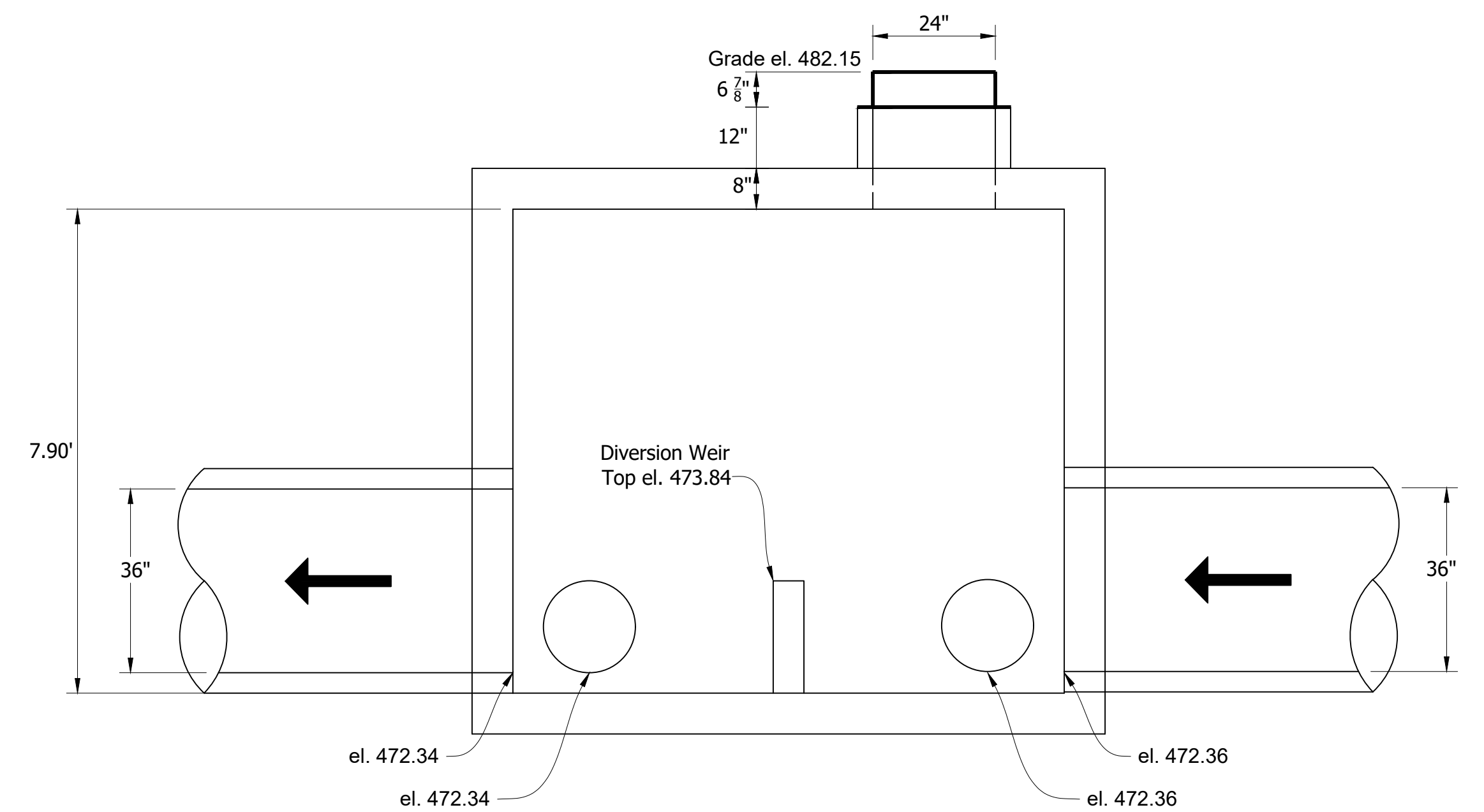


**Manhole Frame & Cover Detail
For Non-Traffic Areas Only
NTS**

Wrap Compressible Expansion Joint Material to a minimum 1-inch thickness around top of riser to allow transfer of inadvertent loading from manhole cover to concrete slab.



Plan View



**Section A-A
Structure No. 8 - Weir Box**

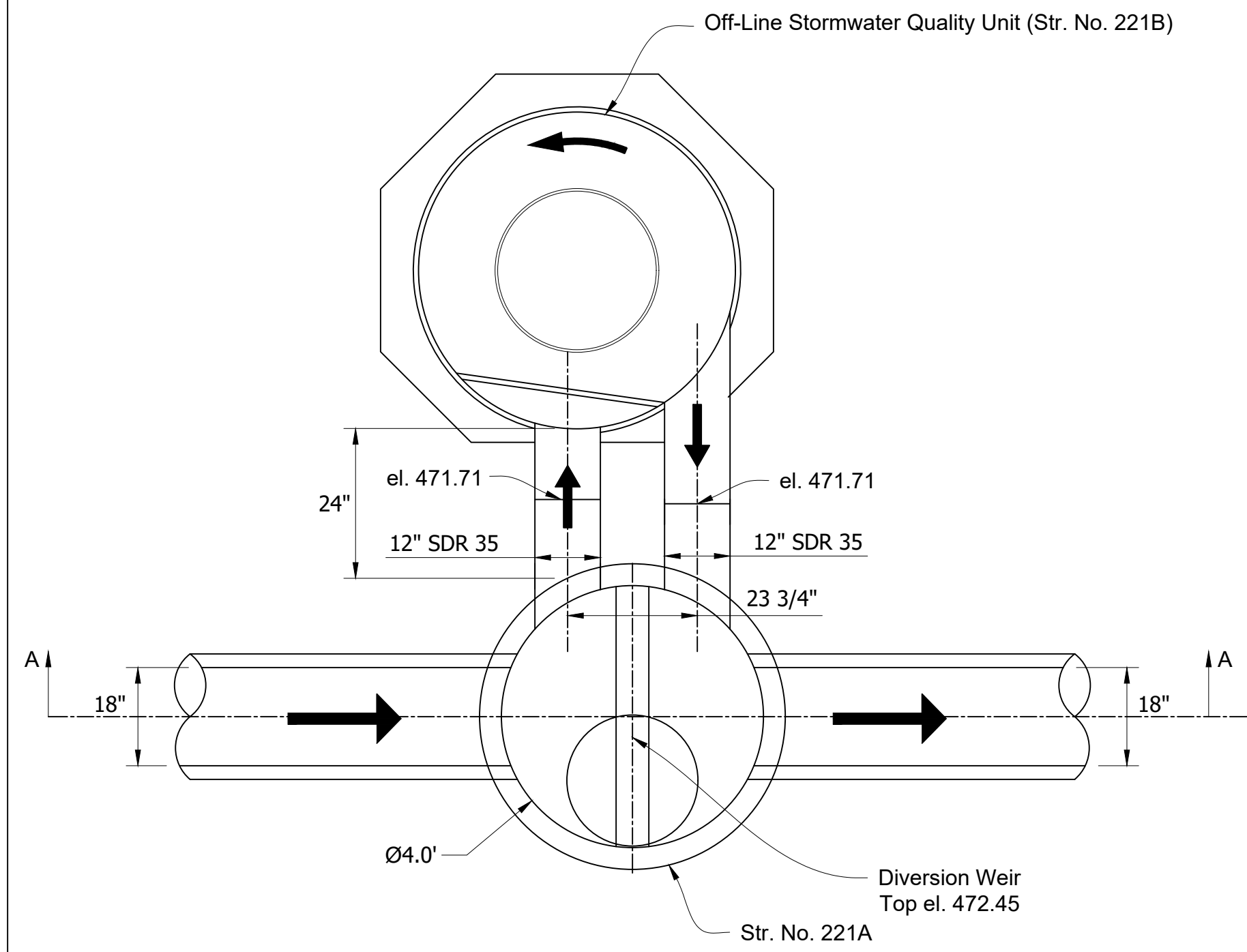
NOTES:
DIVERSION WEIR SHALL BE 6" WIDE CONCRETE - HEIGHT AS SPECIFIED

RECOMMENDED FOR APPROVAL	DESIGN ENGINEER	DATE
DESIGNED: BWS	DRAWN: MRW	
CHECKED: ACD	CHECKED: BWS	

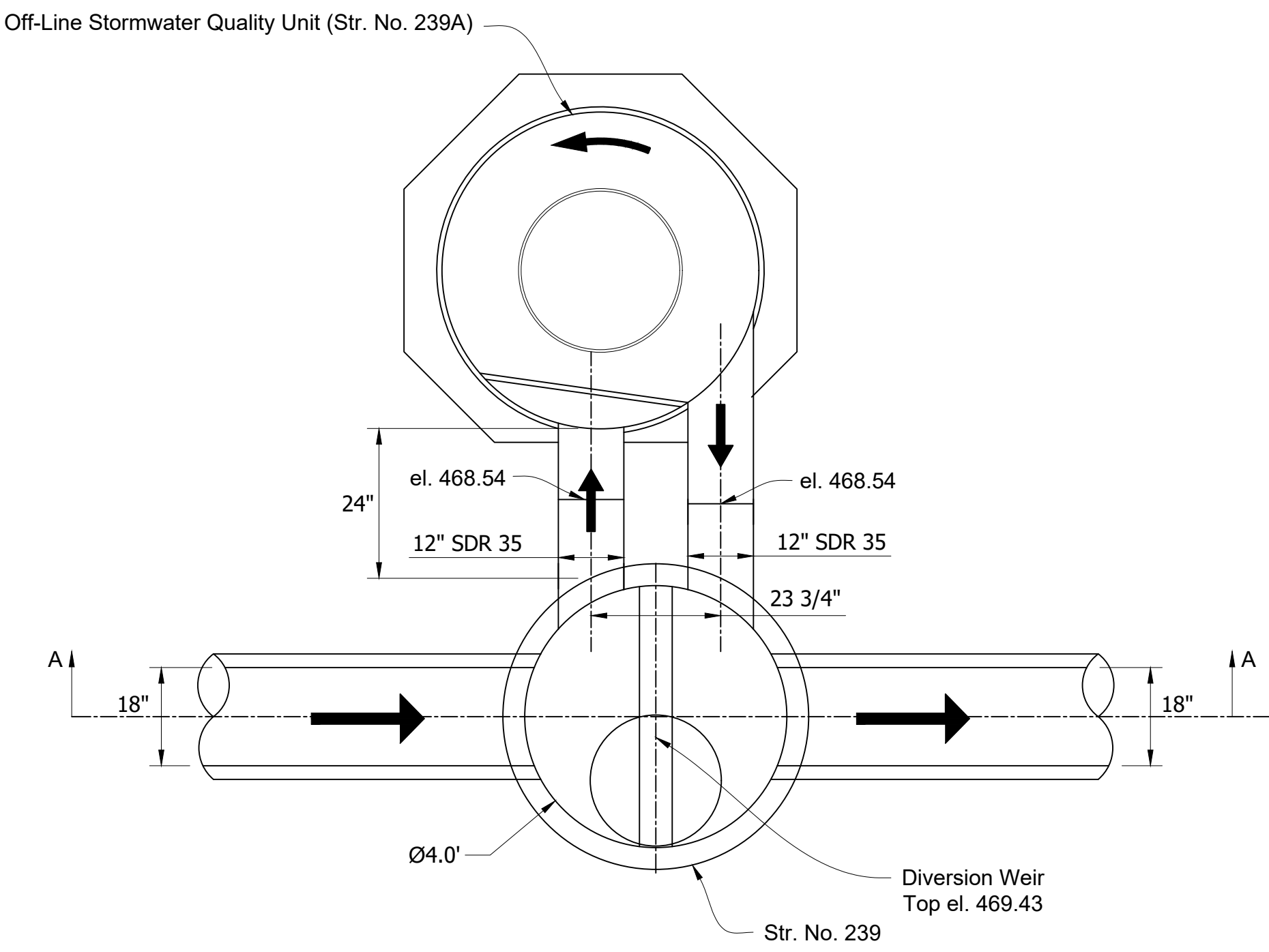
INDIANA
DEPARTMENT OF TRANSPORTATION

DRAINAGE DETAILS
STORMWATER QUALITY UNIT DETAILS

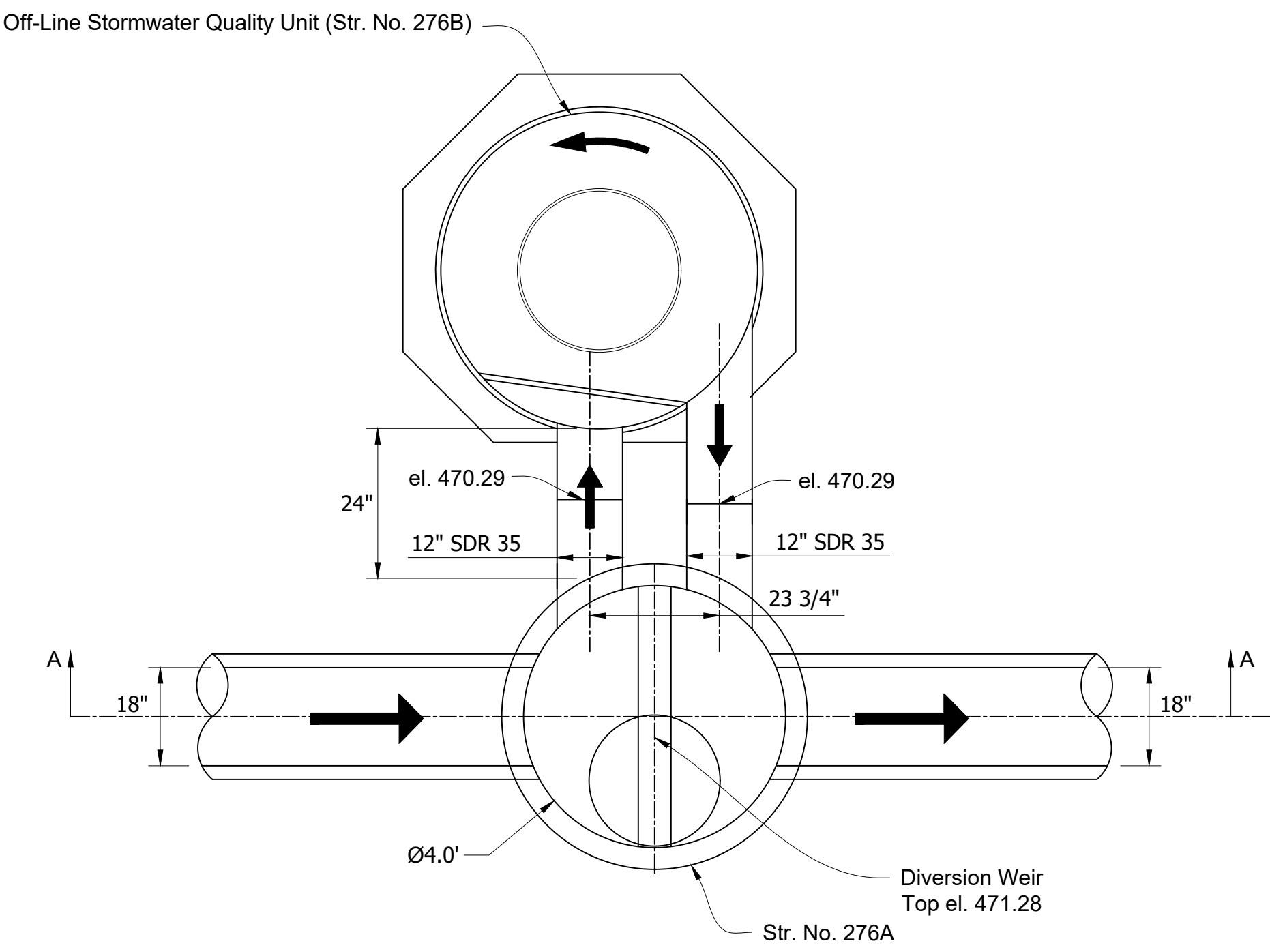
HORIZONTAL SCALE	BRIDGE FILE
1" = 1'	N/A
VERTICAL SCALE	DESIGNATION
1" = 1'	1700111
SURVEY BOOK	SHEETS
	88 of 152
CONTRACT	PROJECT
R-40412	1700111



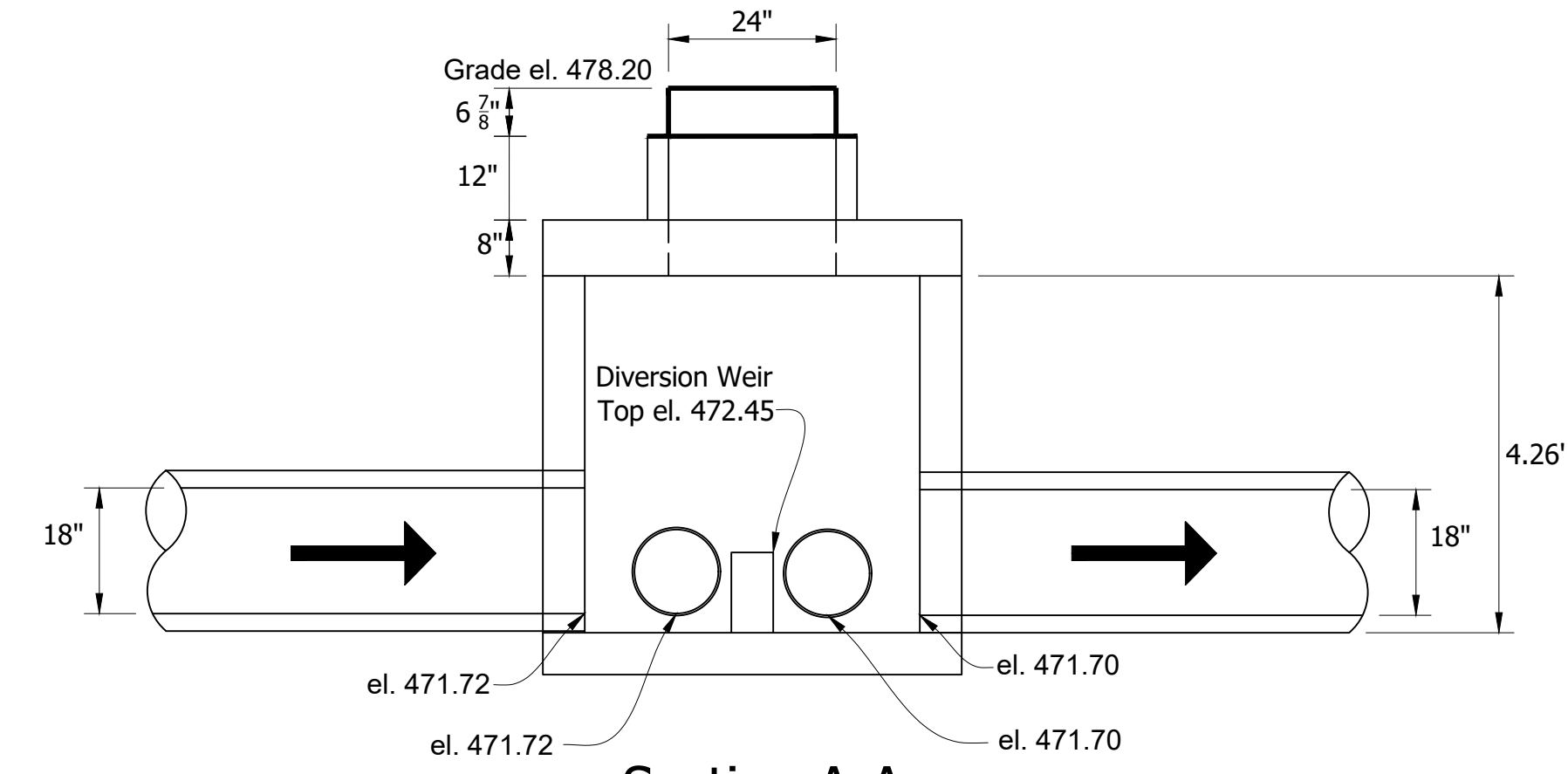
Plan View



Plan View

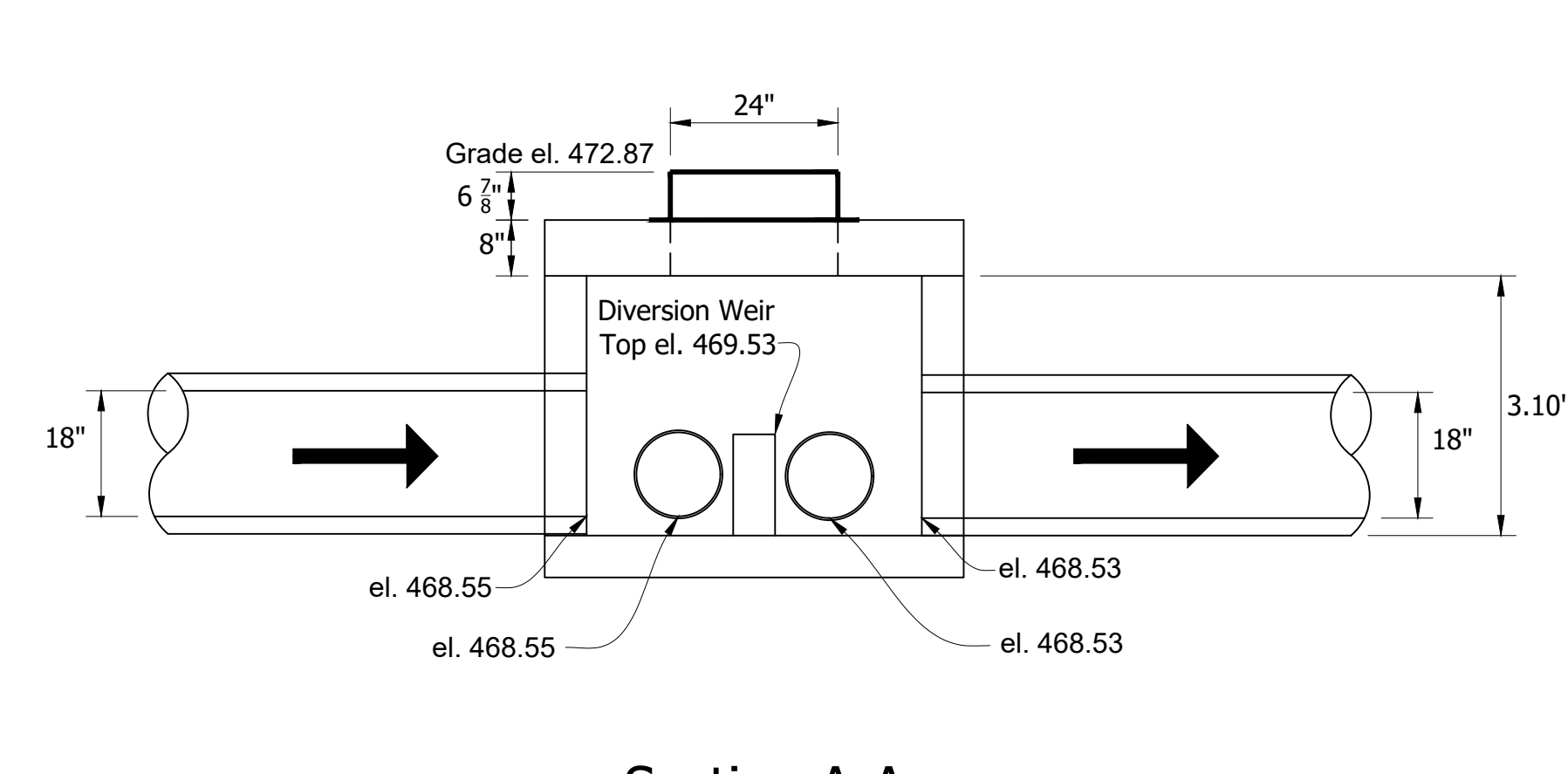


Plan View



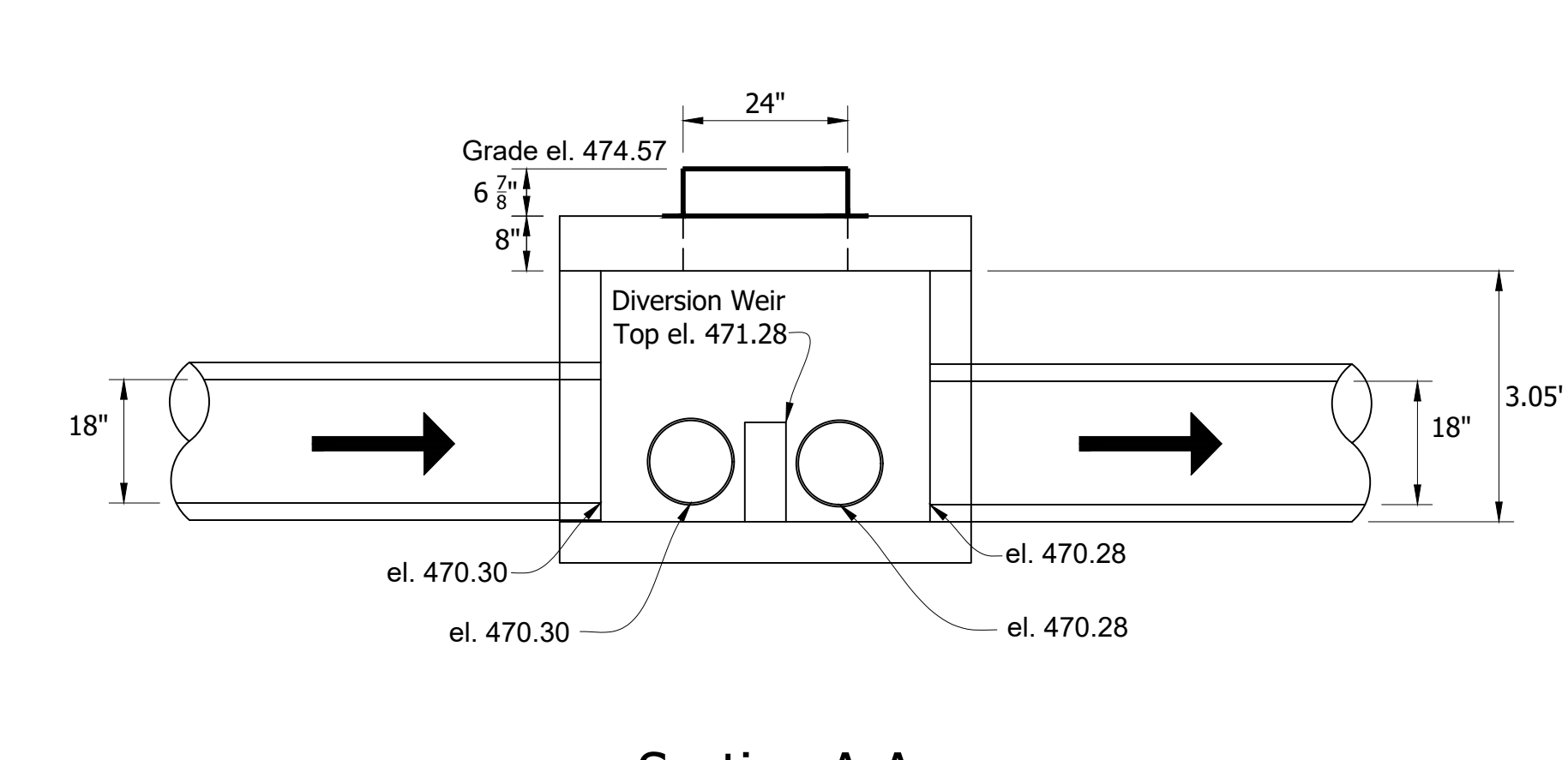
Section A-A

Structure No. 221A - Modified Manhole Type C



Section A-A

Structure No. 239 - Modified Manhole Type C



Section A-A

Structure No. 276A - Modified Manhole Type C

DIRECTORY: S:\Project Files\2017\17-0199\CADD\Design\Sheet Sets\
 FILE: 17-0199 Drainage Details.dwg
 DIMSCALE: 1 LTSCALE: 1
 PLOTTED BY: mwarren
 DATE: Sep 14, 2022 - 12:04pm

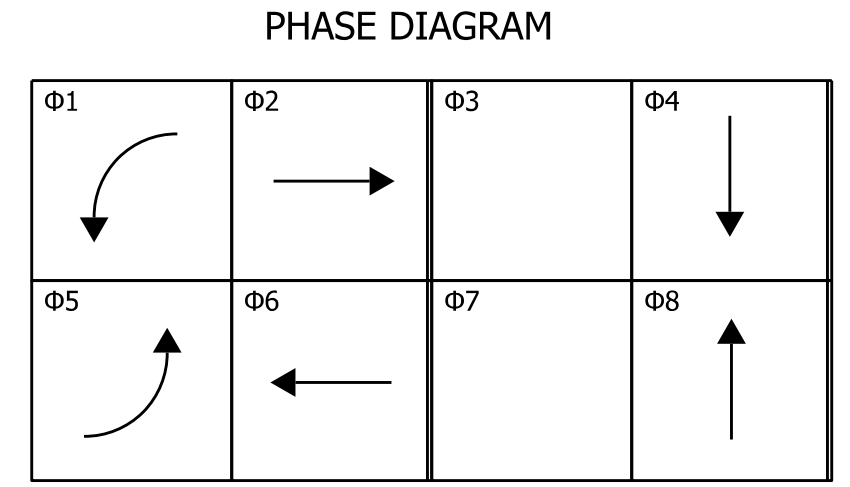
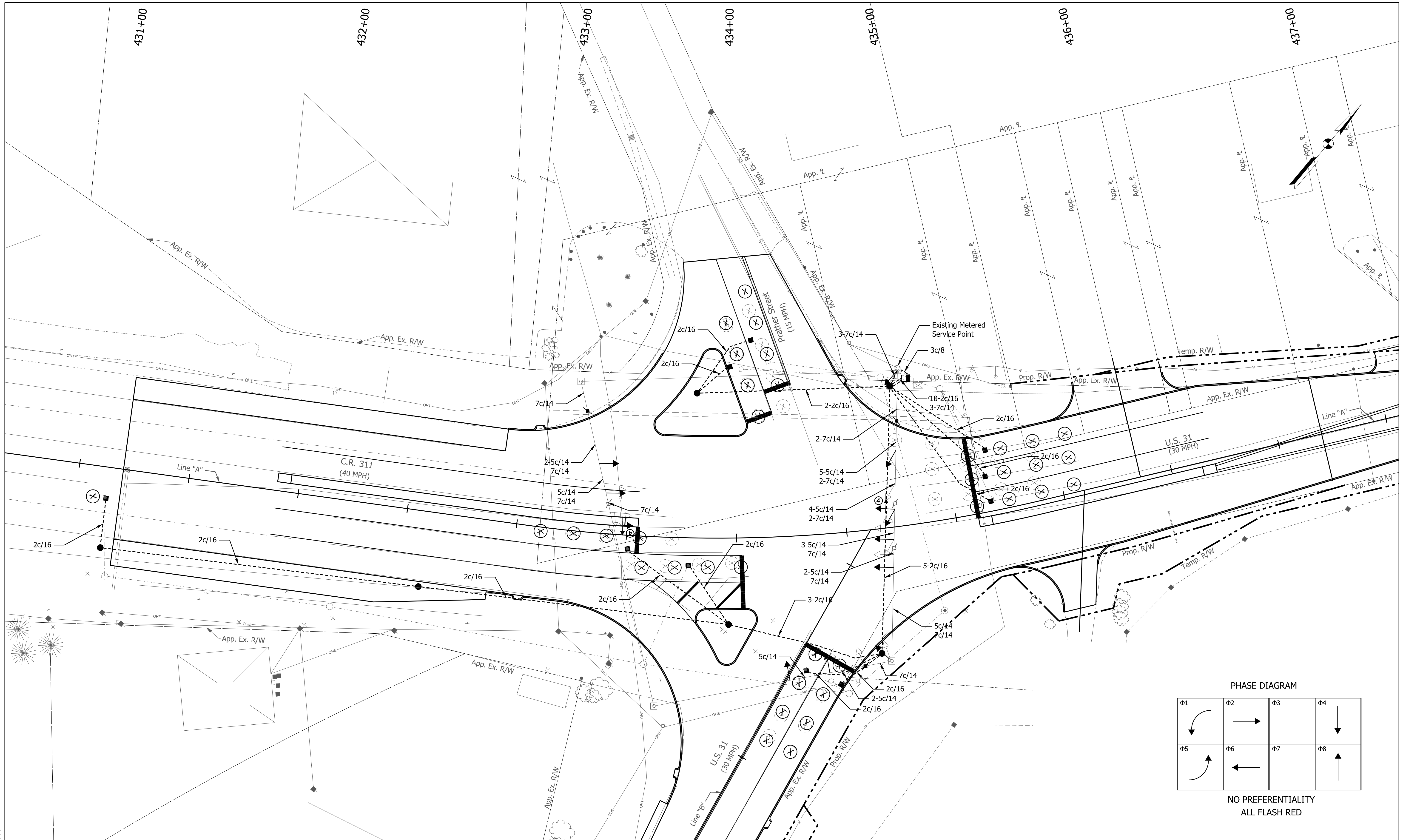
NOTES:
 DIVERSION WEIR SHALL BE 6" WIDE CONCRETE - HEIGHT AS SPECIFIED

RECOMMENDED FOR APPROVAL		DESIGN ENGINEER		DATE	
DESIGNED: BWS	DRAWN: MRW				
CHECKED: ACD	CHECKED: BWS				

INDIANA DEPARTMENT OF TRANSPORTATION	
DRAINAGE DETAILS STORMWATER QUALITY UNIT DETAILS	

HORIZONTAL SCALE	BRIDGE FILE
1" = 1'	N/A
VERTICAL SCALE	DESIGNATION
1" = 1'	1700111
SURVEY BOOK	SHEETS
	89 of 152
CONTRACT	PROJECT
R-40412	1700111

PATH AND FILENAME: V:\Projects\ANY\K5\052491.000\09_Design\Drawings\Traffic\MicroStation\Sheet Drawings\Sht_Traff_Signal_01.dgn
 MODEL NAME: Sht_Traff_Signal_01
 DATE PLOTTED: 11/2/2020
 TIME PLOTTED: 2:35:10 PM



NO PREFERENTIALITY
ALL FLASH RED

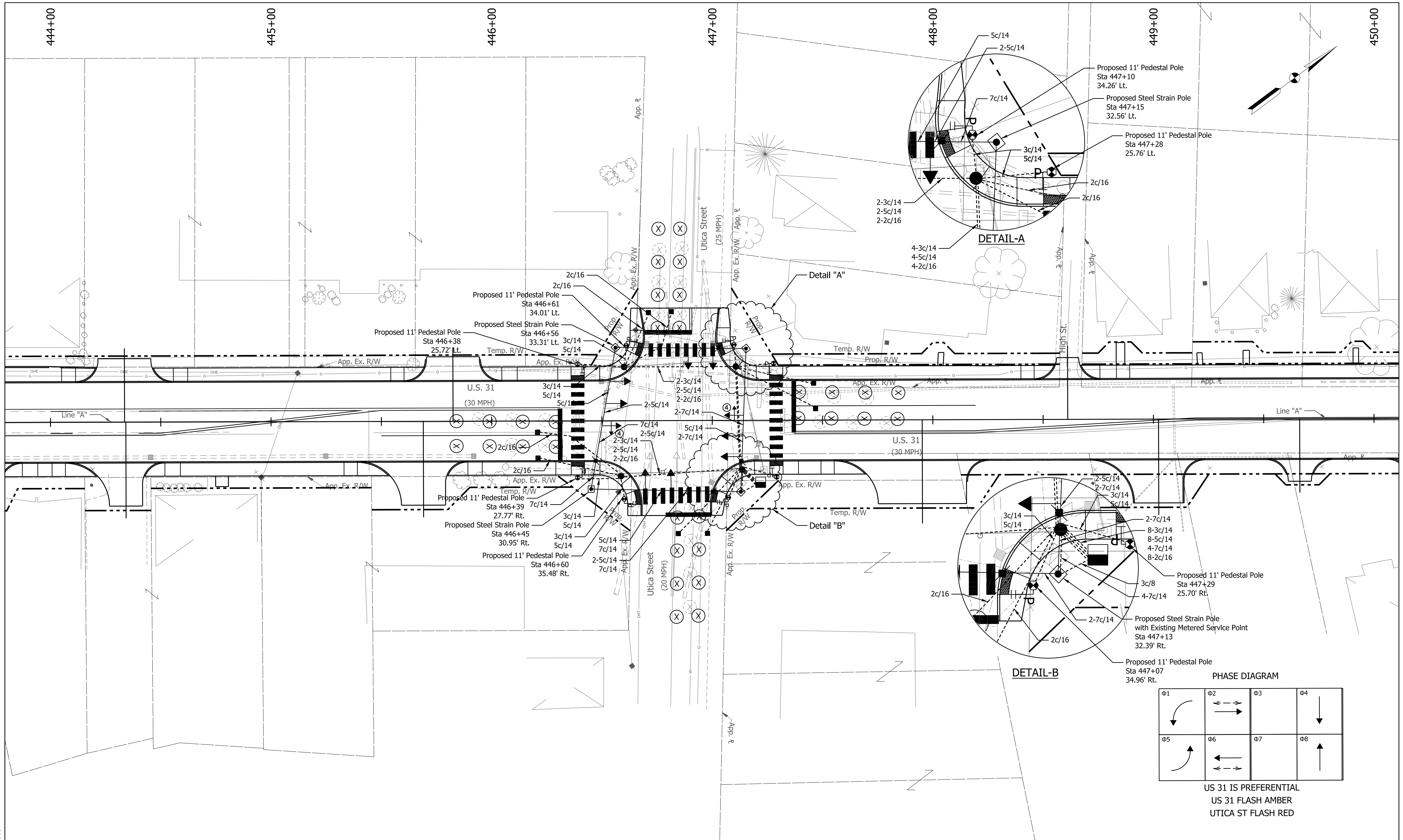
LEGEND	
	Existing Controller in Proposed Type P-1 Cabinet and Foundation, Existing Cellar Modern and New Antenna
	Proposed Steel Strain Pole
	Proposed Handhole, Type 1
	Proposed 18" Pedestrian Signal Head
	Proposed 2" HDPE Schedule 80, Traffic Signal Conduit
	Proposed Loop Detector Housing
	Existing Steel Strain Pole
	Proposed Circular Loop, 4-Turn Series
	Existing Circular Loop, 4-Turn Series
	Existing Traffic Signal Head, 3 Face, 12": Red, Amber & Green
	Proposed Traffic Signal Head, 3 Face, 12": Red, Yellow & Green
	Existing Traffic Signal Head, 5 Face, 12": Red, Amber, Green, Lt. Amber Arrow, & Lt. Green Arrow
	Proposed Traffic Signal Head, 4 Face, 12": Lt. Red Arrow, Lt. Amber Arrow, Flashing Lt. Amber Arrow, & Lt. Green Arrow
	Proposed Traffic Signal Head, 5 Face, 12": Red, Amber, Green, Rt. Amber Arrow, & Rt. Green Arrow
	Existing Span Wire
	Proposed Span Wire

RECOMMENDED FOR APPROVAL	DESIGN ENGINEER	DATE
DESIGNED: TMA	DRAWN: DQM	
CHECKED: PAW	CHECKED: TMA	

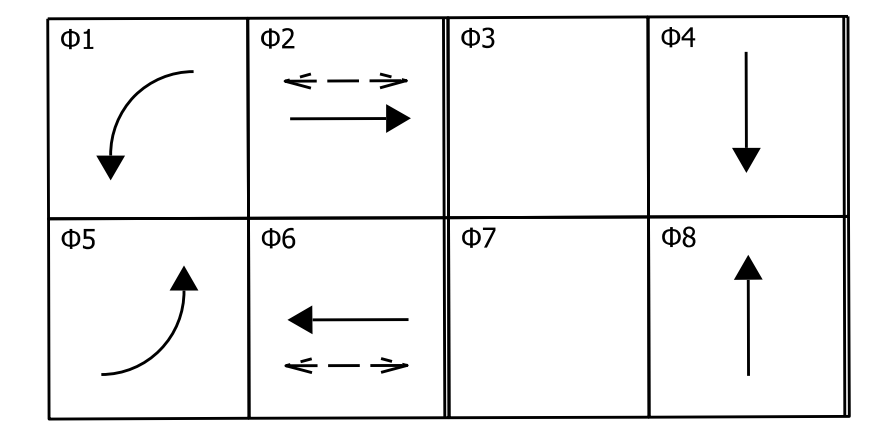
INDIANA
 DEPARTMENT OF TRANSPORTATION
 TRAFFIC SIGNAL MODERNIZATION
 U.S. 31 AND C.R. 311/PRATHER STREET

HORIZONTAL SCALE	BRIDGE FILE
1" = 20'	
VERTICAL SCALE	DESIGNATION
N/A	1700111
SURVEY BOOK	SHEETS
	90 of 152
CONTRACT	PROJECT
R-40412	1700111

PATH AND FILENAME: V:\Projects\ANY\K5\052491.000\09_Design\Drawings\Traffic\MicroStation\Sheet Drawings\Sht_Traffic_Signal_02.dgn
 MODEL NAME: Sht_Traffic_Signal_02
 DATE PLOTTED: 11/2/2020
 TIME PLOTTED: 2:35:14 PM



PHASE DIAGRAM



US 31 IS PREFERENTIAL
 US 31 FLASH AMBER
 UTICA ST FLASH RED

LEGEND	
	Existing Steel Strain Pole
	Existing Circular Loop, 4-Turn Series
	Existing Traffic Signal Head, 3 Face, 12": Red, Amber & Green
	Existing Traffic Signal Head, 5 Face, 12": Red, Amber, Green, Lt. Amber Arrow, & Lt. Green Arrow
	Proposed Steel Strain Pole
	Proposed Handhole, Type 1
	Proposed Traffic Signal Head, 3 Face, 12": Red, Yellow & Green
	Proposed Traffic Signal Head, 4 Face, 12": Lt. Red Arrow, Lt. Amber Arrow, Flashing Lt. Amber Arrow, & Lt. Green Arrow
	Proposed Loop Detector Housing
	Proposed Traffic Signal Head, 5 Face, 12": Red, Amber, Green, Rt. Amber Arrow, & Rt. Green Arrow
	Proposed Span Wire

RECOMMENDED FOR APPROVAL	DESIGN ENGINEER	DATE
DESIGNED: TMA	DRAWN: DQM	
CHECKED: PAW	CHECKED: TMA	

INDIANA DEPARTMENT OF TRANSPORTATION
 TRAFFIC SIGNAL MODERNIZATION
 U.S. 31 AND UTICA STREET

HORIZONTAL SCALE	BRIDGE FILE
1" = 20'	
VERTICAL SCALE	DESIGNATION
N/A	1700111
SURVEY BOOK	SHEETS
	91 of 152
CONTRACT	PROJECT
R-40412	1700111

PATH AND FILENAME: V:\Projects\ANY\K5\052491.000\09_Design\Drawings\Traffic\MicroStation\Sheet Drawings\Sht_Traffic_Signal_03.dgn
 MODEL NAME: Sht_Traffic_Signal_03
 DATE PLOTTED: 11/2/2020
 TIME PLOTTED: 2:35:18 PM

472+00

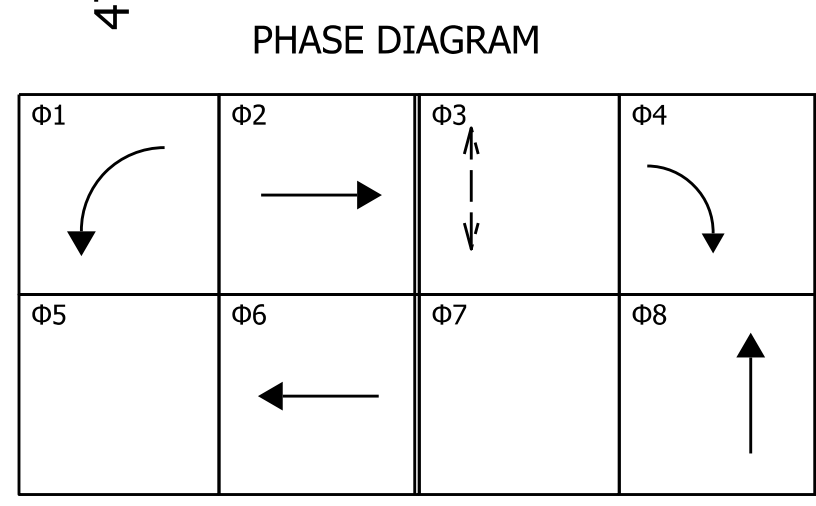
473+00

474+00

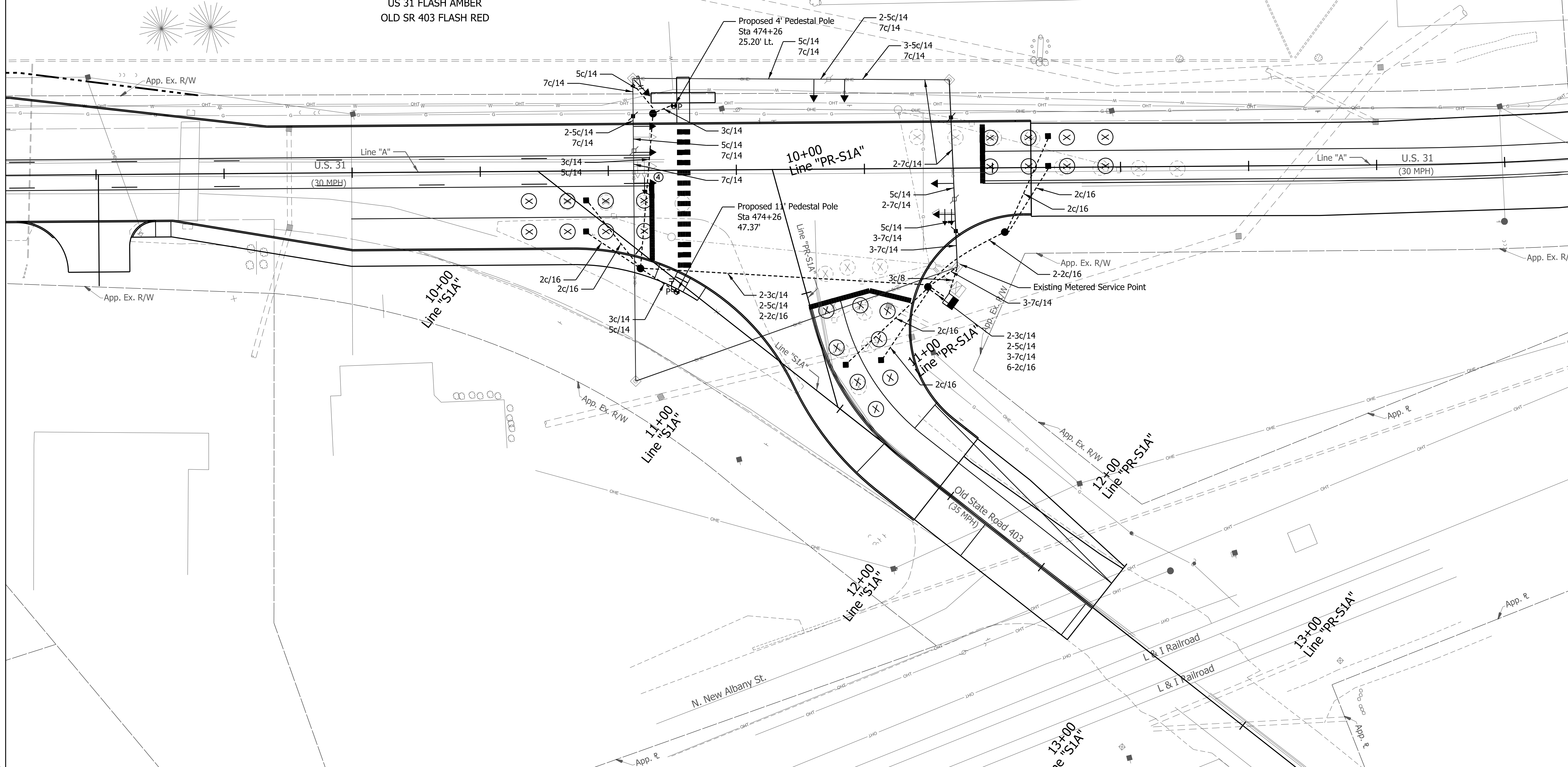
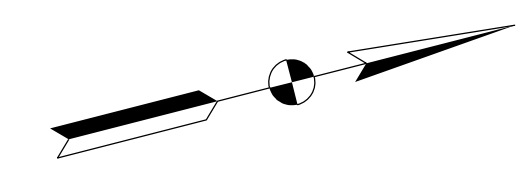
475+00

476+00

477+00



US 31 IS PREFERENTIAL
 US 31 FLASH AMBER
 OLD SR 403 FLASH RED



LEGEND	
	Existing Controller in Proposed Type P-1 Cabinet and Foundation, Existing Cellar Modern and New Antenna
	Proposed Steel Strain Pole
	Proposed Handhole, Type 1
	Disconnect Hanger
	Proposed APS Ped Button
	Proposed 18" Pedestrian Signal Head
	Proposed 2" HDPE Schedule 80, Traffic Signal Conduit
	Proposed Loop Detector Housing
	Existing Steel Strain Pole
	Existing Circular Loop, 4-Turn Series
	Existing Traffic Signal Head, 3 Face, 12": Red, Amber & Green
	Existing Traffic Signal Head, 5 Face, 12": Red, Amber, Green, Lt. Amber Arrow, & Lt. Green Arrow
	Existing Traffic Signal Head, 3 Face, 12": Red, Yellow & Green
	Proposed Traffic Signal Head, 4 Face, 12": Lt. Red Arrow, Lt. Amber Arrow, Flashing Lt. Amber Arrow, & Lt. Green Arrow
	Proposed Traffic Signal Head, 5 Face, 12": Red, Amber, Green, Rt. Amber Arrow, & Rt. Green Arrow
	Proposed Circular Loop, 4-Turn Series
	Existing Span Wire
	Proposed Span Wire

RECOMMENDED FOR APPROVAL	DESIGN ENGINEER	DATE
DESIGNED: TMA	DRAWN: DQM	
CHECKED: PAW	CHECKED: TMA	

INDIANA DEPARTMENT OF TRANSPORTATION
TRAFFIC SIGNAL MODERNIZATION
U.S. 31 AND OLD SR 403

HORIZONTAL SCALE	BRIDGE FILE
1" = 20'	
VERTICAL SCALE	DESIGNATION
N/A	1700111
SURVEY BOOK	SHEETS
	92 of 152
CONTRACT	PROJECT
R-40412	1700111

STRUCTURE DATA

STRUCTURE NUMBER	LOCATION				SIZE	DESCRIPTION MANHOLE, INLET, CATCH BASIN, OR SPECIALTY STRUCTURE AND TYPE	LENGTH LFT	VIDEO INSPECTION LENGTH LFT	COVER FT	FLOW LINE		SERVICE LIFE YRS	SITE DESIGNATION	pH	BACKFILL METHOD	STRUCTURE BACKFILL TYPE 2	SCOUR PROTECTION				PIPE END SECTION EA.	CONNECT TO STR.	REMARKS	
	STATION	LEFT	RIGHT	CROSS						OFFSET FT	PIPE TYPE IN.						UP STREAM ELEV.	DOWN STREAM ELEV.	GEOTEXTILES for RIPRAP TYPE?? (?)	REVETMENT RIPRAP TONS				CLASS 1 RIPRAP TONS
5	426+51	X			187.5	36	1	Mod. Manhole J-7	87		466.91	466.00								1		Outlet		
6	426+56	X			193.9	12	1		9		467.00	466.91										5		
7	429+67	X			37	36	2	Manhole J-4	78		470.86	470.00								1		Pond		
8	430+16	X			37	36	2	Weir Box	44		472.34	472.07										7		
8A	430+16	X						Offline SQU														8		
9	433+71	X			37	36	2	Manhole J-4	250		473.74	742.36										8		
10	433+90	X			40.3	36	2	Manhole J-4	109		475.67	475.07										9		
10A	431+22		X		0			Ex. 24" Catch Basin															Adjust Casting to Grade	
11	434+90	X			2	36	2	Manhole J-4	99		477.60	477.00										10		
12	434+90		X			12	2	Catch Basin B-15	29		486.17	486.01										11		
13	435+65	X				12	2	Catch Basin C-15	30		485.03	484.35										15		
14	435+66	X				12	2	Inlet HA-5	16		485.31	485.24										13		
15	435+65	X			2	36	2	Manhole J-4	70		478.94	478.50										11		
16	435+75		X			12	2	Catch Basin B-15	18		486.00	485.86										15		
16A	435+86		X		35	12	2	Inlet E-7	16		486.09	486.00										16	Top of Casting = 489.34	
17	436+50	X				12	2	Catch Basin C-15	22		487.60	487.47										18		
18	436+50	X			2	36	2	Manhole J-4	80		479.24	479.04										15		
19	436+50		X			12	2	Catch Basin B-15	16		487.59	487.47										18		
20	436+90	X				12	2	Inlet B-15	39		487.81	487.60										17		
21	437+25	X				12	2	Catch Basin HA-5	12		487.94	487.84										22		
22	437+25	X			2	36	2	Manhole J-4	70		479.50	479.34										19		
23	437+25		X			12	2	Catch Basin B-15	15		487.94	487.84										22		
24	437+50	X				12	2	Inlet B-15	22		488.06	487.94										21		
25	438+25	X				12	2	Inlet B-15	23		488.10	487.91										26		
26	438+50	X				12	2	Catch Basin C-15	11		487.80	487.70										27		
27	438+50	X			2	36	2	Manhole J-4	120		479.98	479.60										22		
28	438+50		X			12	2	Catch Basin B-15	15		487.80	487.70										27		
29	438+90	X				12	2	Inlet HA-5	37		487.55	487.28										26		
30	439+30	X				12	2	Catch Basin C-15	11		487.28	487.20										31		

DIRECTORY: S:\Project Files\2017\17-0199\CADD\Design\Sheet Sets\
 FILE: 17-0199 Str Data Tables.dwg
 DIMSCALE: 0 LTSCALE: 1
 PLOTTED BY: mwarren
 DATE: Sep 14, 2022 - 12:05pm

RECOMMENDED FOR APPROVAL _____		DESIGN ENGINEER _____ DATE _____	
DESIGNED: BWS	DRAWN: MRW	CHECKED: ACD	CHECKED: BWS

INDIANA
DEPARTMENT OF TRANSPORTATION

STRUCTURE DATA TABLE

HORIZONTAL SCALE N/A	BRIDGE FILE N/A
VERTICAL SCALE	DESIGNATION 1700111
SURVEY BOOK	SHEETS 95 of 152
CONTRACT R-40412	PROJECT 1700111

STRUCTURE DATA

STRUCTURE NUMBER	LOCATION					DESCRIPTION MANHOLE, INLET, CATCH BASIN, OR SPECIALTY STRUCTURE AND TYPE	LENGTH LFT	VIDEO INSPECTION LENGTH LFT	COVER FT	FLOW LINE		SERVICE LIFE YRS	SITE DESIGNATION	PH	BACKFILL METHOD	STRUCTURE BACKFILL TYPE ?? CYS	SCOUR PROTECTION				PIPE END SECTION EA.	CONNECT TO STR.	REMARKS	
	STATION	LEFT	RIGHT	CROSS	OFFSET FT					SIZE IN.	PIPE TYPE						UP STREAM ELEV.	DOWN STREAM ELEV.	REVEGETMENT RIPRAP TONS	CLASS ? RIPRAP TONS				
31	439+30	X			2	36	2	Manhole J-4	75		480.28	480.08										27		
32	439+30		X			12	2	Catch Basin B-15	15		487.30	487.20											31	
33	439+70	X				12	2	Inlet B-15	38		486.40	486.25											31	
34	440+00	X				12	2	Catch Basin C-15	11		486.25	486.15											35	
35	440+00	X			2	36	2	Manhole J-4	65		480.54	480.38											31	
36	440+00		X			12	2	Catch Basin B-15	15		486.25	486.15											35	
37	440+50		X			12	2	Catch Basin B-15	17		485.87	485.75											39	
38	440+60	X				12	2	Catch Basin C-15	11		484.72	484.62											39	
38A	440+60	X			27	24	2	Manhole C-4	6		485.00	484.72											38	
39	440+60	X			2	36	2	Manhole J-4	55		480.79	480.64											35	
40	440+74		X			12	2	Inlet HA-5	21		484.95	484.82											37	
41	441+00	X				12	2	Inlet HA-5	37		485.55	485.45											38	
42	441+00	X				12	2	Inlet HA-5	23		485.55	485.45											40	
43	441+20	X				12	2	Catch Basin HA-5	12		485.45	485.35											44	
44	441+20	X			2	36	2	Manhole J-4	55		481.02	480.89											39	
45	441+20		X			12	2	Catch Basin HA-5	16		485.45	485.35											44	
46	441+35	X				12	2	Inlet HA-5	12		485.55	485.45											43	
47	441+35		X			12	2	Inlet B-15	12		484.48	484.41											45	
48	441+51	X				18	2	Catch Basin HA-5	12		484.60	484.55											46	
50	441+49		X			18	2	Catch Basin C-15	11		484.11	484.03											47	
51	441+67	X				12	2	Inlet C-15	13		484.80	484.70											48	
52	441+70		X			12	2	Inlet C-15	17		484.21	484.11											50	
53	441+85	X				12	2	Inlet HA-5	15		484.90	484.80											51	
54	441+85		X			18	2	Inlet HA-5	12		484.29	484.21											52	
55	442+00	X				12	2	Catch Basin HA-5	12		484.85	484.75											56	
56	442+00	X			2	30	2	Manhole J-4	75		481.40	481.12											44	
57	442+00		X			12	2	Catch Basin HA-5	16		484.85	484.75											56	
58	442+20	X				12	2	Inlet HA-5	17		484.95	484.85											55	
59	442+35		X			12	2	Inlet B-15	32		485.03	484.85											57	
60	442+50	X				12	2	Inlet B-15	27		485.10	484.95											58	
61	442+80	X				12	2	Catch Basin C-15	11		485.35	485.25											62	
62	442+80	X			2	30	2	Manhole J-4	75		481.70	481.50											56	

DIRECTORY: S:\Project Files\2017\17-0199\CADD\Design\Sheet Sets\
 FILE: 17-0199 Str Data Tables.dwg
 DIMSCALE: 0 LTSCALE: 1
 PLOTTED BY: mwarren
 DATE: Sep 14, 2022 - 12:05pm

RECOMMENDED FOR APPROVAL		DESIGN ENGINEER		DATE	
DESIGNED: BWS	DRAWN: MRW				
CHECKED: ACD	CHECKED: BWS				

INDIANA
DEPARTMENT OF TRANSPORTATION

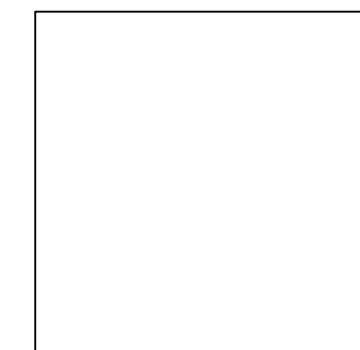
STRUCTURE DATA TABLE

HORIZONTAL SCALE	BRIDGE FILE
N/A	N/A
VERTICAL SCALE	DESIGNATION
	1700111
SURVEY BOOK	SHEETS
	96 of 152
CONTRACT	PROJECT
R-40412	1700111

STRUCTURE DATA

STRUCTURE NUMBER	LOCATION				SIZE	DESCRIPTION MANHOLE, INLET, CATCH BASIN, OR SPECIALTY STRUCTURE AND	LENGT LFT	VIDE O INSPE LFT	COVER FT	FLOW LINE		SERVI CE YRS	SITE DESIGNATI ON	PH	BACKFILL METHOD	STRU CTUR E CYS	SCOUR PROTECTION				PIPE END SECTI ON	CONNECT TO STR.	REMARKS	
	STATION	LEFT	RIGHT	CROSS OFF						FT	IN.						PIPE TYPE	UP STREAM ELEV.	DOWN STREAM ELEV.	GE OTE X TENS				RE VE TENS
63	442+80		X		12	2				485.35	485.25											62		
64	443+10	X			12	2				484.00	483.91												61	
66	443+20		X		12	2				484.12	484.00												62	
67	443+29	X			16.8																			
68	443+28		X		16																			
69	443+31	X			12	2				484.27	484.10												64	
70	443+48	X			18																			
70A	443+50		X		12	2				485.47	485.32												66	
71	443+60	X			12	2				485.46	485.32												72	
72	443+61	X			17.9	12	2			485.32	485.22												73	Cap Exist. Pipe
73	443+61	X			2	30	2			482.20	481.80												62	
74	443+70		X		12	2				485.32	485.22												73	
75	443+75	X			12	2				485.42	485.32												72	
76	443+95		X		12	2				485.48	485.26												74	
77	444+00	X			12	2				485.42	485.26												75	
79	444+25	X			12	2				485.43	485.27												77	
81	444+25		X		12	2				485.47	485.27												76	
82	444+40	X			25.8	12	2			485.68	485.58												83	
83	444+40	X			12	2				485.58	485.43												79	
84	444+40		X		12	2				485.62	485.47												81	
85	444+45		X		16																			
86	444+75	X			12	2				485.68	485.52												87	
87	444+75	X			2	30	2			482.90	482.30												73	
88	444+75		X		12	2				485.72	485.52												87	

DIRECTORY: S:\Project Files\2017\17-0199\CADD\Design\Sheet Sets\
 FILE: 17-0199 Sr. Data Tables.dwg
 DIMSCALE: 0 LTSCALE: 1
 PLOTTED BY: mwarren
 DATE: Sep 14, 2022 - 12:05pm



RECOMMENDED FOR APPROVAL		DESIGN ENGINEER		DATE	
DESIGNED: BWS	DRAWN: MRW				
CHECKED: ACD	CHECKED: BWS				

INDIANA
DEPARTMENT OF TRANSPORTATION

STRUCTURE DATA TABLE

HORIZONTAL SCALE	BRIDGE FILE
N/A	N/A
VERTICAL SCALE	DESIGNATION
	1700111
SURVEY BOOK	SHEETS
	97 of 152
CONTRACT	PROJECT
R-40412	1700111

STRUCTURE DATA

STRUCTURE NUMBER	LOCATION				SIZE IN.	PIPE TYPE	DESCRIPTION MANHOLE, INLET, CATCH BASIN, OR SPECIALTY STRUCTURE AND	LENGT LFT	VIDE O LFT	COVER FT	FLOW LINE		SERVY CE YRS	SITE DESIGNATI	PH	BACKFILL METHOD	STRU CTUR E CYS	SCOUR PROTECTION				PIPE END SECTI EA.	CONNECT TO STR.	REMARKS		
	STATION	LEFT	RIGHT	CROSS							OFF FT	UP STREAM ELEV.						DOWN STREAM ELEV.	GE OT	EX PL	RE VE				TW CL	AS
89	445+00	X			12	2	Inlet C-15	23			485.62	485.46										86				
91	445+10		X		12	2	Inlet C-15	33			485.69	485.46											88			
92	445+25	X			12	2	Inlet B-15	23			485.87	485.62											89			
93	445+25		X		15.6		Ex. 24"x24" Catch Basin																			
94	445+30		X		12	2	Inlet B-15	18			485.89	485.69												91		
95	445+50	X			12	2	Catch Basin C-15	11			485.73	485.57												96		
96	445+50	X		2	30	2	Manhole J-4	70			483.39	483.00												87		
97	445+50		X		12	2	Catch Basin HA-5	16			485.77	485.57												96		
98	445+75	X			12	2	Inlet HA-5	22			485.98	485.73												95		
99	445+75		X		12	2	Inlet HA-5	21			486.02	485.77												97		
100	445+92		X		15.8		Ex. 24"x24" Catch Basin																			
101	445+95	X			12	2	Inlet HA-5	16			486.08	485.92													98	
102A	446+10		X		12	2	Inlet B-15	32			484.46	484.01													99	
103	446+25	X			12	2	Inlet B-15	22			484.21	483.96													105	
104	446+39	X		22.2			Ex. 36" Manhole																			Adjust Casting to Grade
105	446+50	X			12	2	Catch Basin HA-5	12			483.96	483.80													106	
106	446+50	X		2.2	24	2	Manhole C-4	96			483.97	483.49													96	
107	446+55		X		12	2	Catch Basin HA-5	18			484.01	483.80													106	
108	449+69	X			12	2	Inlet B-15	32			484.30	483.96													105	
109	446+70	X		35			Ex. 36" Brick CB																			Remove Str. & Cap Ex. Pipe
110	446+71	X		18.1			Ex. 36" Brick Manhole																			Adjust Casting to Grade
113	446+83	X		22.6			Ex. 48" Brick Manhole																			Adjust Casting to Grade
114	446+83	X		11.1			Ex. 48" Manhole																			Adjust Casting to Grade
115	446+98	X		17.8			Ex. 48" Brick Manhole																			Adjust Casting to Grade
116	447+00		X		28		Ex. 36" Conc. Manhole																			Remove Str. & Cap Ex. Pipe

DIRECTORY: S:\Project Files\2017\17-0199\CADD\Design\Sheet Sets\
 FILE: 17-0199 Str Data Tables.dwg
 DIMSCALE: 0 LTSCALE: 1
 PLOTTED BY: mwarren
 DATE: Sep 14, 2022 - 12:05pm

RECOMMENDED FOR APPROVAL		DESIGN ENGINEER _____ DATE _____	
DESIGNED: BWS	DRAWN: MRW		
CHECKED: ACD	CHECKED: BWS		

INDIANA DEPARTMENT OF TRANSPORTATION

STRUCTURE DATA TABLE

HORIZONTAL SCALE	BRIDGE FILE
N/A	N/A
VERTICAL SCALE	DESIGNATION
	1700111
SURVEY BOOK	SHEETS
	98 of 152
CONTRACT	PROJECT
R-40412	1700111

STRUCTURE DATA

STRUCTURE NUMBER	LOCATION				SIZE IN.	PIPE TYPE	DESCRIPTION MANHOLE, INLET, CATCH BASIN, OR SPECIALTY STRUCTURE AND	LENGTH LFT	WIDTH OF INSPE LFT	COVER FT	FLOW LINE		SERV. CE YRS	SITE DESIGNATI	PH	BACKFILL METHOD	STRUCTURE	SCOUR PROTECTION				PIPE END SECTI	CONNECT TO STR.	REMARKS
	STATION	LEFT	RIGHT	CROSS							OFF FT	UP STREAM ELEV.						DOWN STREAM ELEV.	GF	OT	EX			
117	447+01	X			12	2	Inlet B-15	30			485.58	485.27										119		
118	447+00	X			34.9		Ex. 36" Brick Manhole																Remove Str. & Cap Ex. Pipe	
119	447+20	X			12	2	Catch Basin HA-5	12			485.27	485.11										120		
120	447+20	X		2	24	2	Manhole C-4	66			484.58	483.97										106		
121	447+20		X		12	2	Catch Basin HA-5	17			485.31	485.11										120		
122	447+60	X			12	2	Catch Basin B-15	12			486.67	486.51										123		
123	447+60	X		2	24	2	Manhole C-4	36			484.83	484.58										120		
124	447+50		X		12	2	Catch Basin HA-5	19			486.71	486.51										123		
125	448+20	X			12	2	Catch Basin B-15	12			487.25	487.09										126		
126	448+20	X		2	24	2	Manhole C-4	56			485.16	484.93										123		
127	448+20		X		12	2	Catch Basin B-15	18			487.31	487.09										126		
128	448+85	X			12	2	Catch Basin B-15	12			487.86	487.70										129		
129	448+85	X		2	24	2	Manhole C-4	61			485.50	485.26										126		
130	448+85		X		12	2	Catch Basin HA-5	16			487.90	487.70										129		
131	449+09	X		16.9			Ex. 48" Manhole																Adjust Casting to Grade	
132	449+09		X	17.6			Ex. 48" Manhole																Adjust Casting to Grade	
133	449+50	X			12	2	Catch Basin B-15	12			488.51	488.35										134		
134	449+50	X		2	24	2	Manhole C-4	61			485.84	485.60										129		
135	449+50		X		12	2	Catch Basin B-15	16			488.55	488.35										134		
136	450+00	X			12	2	Catch Basin B-15	12			489.02	488.86										137		
137	450+00	X		2	24	2	Manhole C-4	46			486.12	485.94										134		
138	450+00		X		12	2	Catch Basin B-15	16			489.06	488.86										137		
139	450+19	X		16.7			Ex. 36" Conc. Manhole																Adjust Casting to Grade	
141	450+60	X			12	2	Catch Basin B-15	12			489.66	489.50										142		
142	450+60	X		2	24	2	Manhole C-4	56			486.44	486.22										137		
143	450+60		X		12	2	Catch Basin B-15	16			489.70	489.50										142		
144	451+18	X		10.7			Ex. 24" Conc. Manhole																Adjust Casting to Grade	

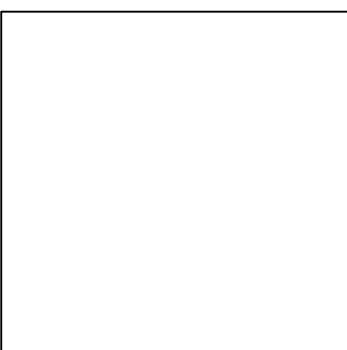
DIRECTORY: S:\Project Files\2017\17-0199\CADD\Design\Sheet Sets\
 FILE: 17-0199 Str Data Tables.dwg
 DIMSCALE: 0 LTSCALE: 1
 PLOTTED BY: mwarren
 DATE: Sep 14, 2022 - 12:05pm

RECOMMENDED FOR APPROVAL	DESIGN ENGINEER _____ DATE _____	INDIANA DEPARTMENT OF TRANSPORTATION	HORIZONTAL SCALE	BRIDGE FILE
	DESIGNED: BWS DRAWN: MRW		N/A	N/A
CHECKED: ACD	CHECKED: BWS	STRUCTURE DATA TABLE	VERTICAL SCALE	DESIGNATION
			1700111	
			SURVEY BOOK	SHEETS
			CONTRACT	99 of 152
			R-40412	PROJECT
				1700111

STRUCTURE DATA

STRUCTURE NUMBER	LOCATION				SIZE IN.	PIPE TYPE	DESCRIPTION MANHOLE, INLET, CATCH BASIN, OR SPECIALTY STRUCTURE AND	LENGT		COVER FT	FLOW LINE		SERVIT CE YRS	SITE DESIGNATI	PH	BACKFILL METHOD	STRUC TURE	SCOUR PROTECTION					CONNECT TO STR.	REMARKS
	STATION	LEFT	RIGHT	CROSS				OFF FT	LFT		LFT	UP STREAM ELEV.						DOWN STREAM ELEV.	GL	OT	EX	RE		
145	451+20	X			12	2	Catch Basin B-15	12			490.23	490.07											146	
146	451+20	X		2	24	2	Manhole C-4	56			486.76	486.54											142	
147	451+20		X		12	2	Catch Basin B-15	16			490.27	490.07											146	
148	451+31	X		16.4			Ex. 36" Conc. Manhole																	Adjust Casting to Grade
149	451+50	X		22	15	2	Catch Basin HA-5	17			490.62	490.42											150	
150	451+50	X		2	24	2	Manhole C-4	26			486.97	486.86											142	
151	451+55	X		22	15	2	Inlet HA-5	2			490.72	490.62											149	
152	451+65	X		29.7	12	2	Inlet HA-5	9			490.85	490.72											151	
153	451+80	X			12	2	Catch Basin B-15	12			490.62	490.46											154	
154	451+80	X		2	24	2	Manhole C-4	26			487.18	487.07											150	
155	451+80		X		12	2	Catch Basin B-15	16			490.66	490.46											154	
156	452+25	X			12	2	Catch Basin B-15	12			490.78	490.62											157	
157	452+25	X		2	24	2	Manhole C-4	41			487.45	487.28											154	
158	452+25		X		12	2	Catch Basin B-15	16			490.82	490.62											157	
159	452+75	X			12	2	Catch Basin B-15	12			490.93	490.77											160	
160	452+75	X		2	24	2	Manhole C-4	46			487.74	487.55											157	
161	452+80		X		12	2	Catch Basin B-15	16			490.98	490.77											160	
162	453+20	X			12	2	Catch Basin B-15	14			491.07	490.88											163	
163	453+30	X		2	24	2	Manhole C-4	51			488.05	487.84											160	
164	453+40		X		12	2	Catch Basin B-15	18			491.11	490.88											163	
165	453+70	X			12	2	Catch Basin B-15	12			491.22	491.06											166	
166	453+70	X		2	24	2	Manhole C-4	36			488.30	488.15											163	
167	454+00	X			12	2	Catch Basin C-15	12			491.10	490.94											168	
168	454+00	X		2	24	2	Manhole C-4	26			488.51	488.40											166	
169	454+00		X		12	2	Catch Basin B-15	16			491.14	490.94											168	
170	454+30	X			12	2	Inlet B-15	28			491.64	491.49											167	
171	454+60	X			12	2	Catch Basin B-15	12			491.49	491.33											172	
172	454+60	X		2	24	2	Manhole C-4	56			488.84	488.61											168	
173	454+60		X		12	2	Catch Basin HA-5	17			491.54	491.33											172	

DIRECTORY:.....S:\Project Files\2017\17-0199\CADD\Design\Sheet Sets\
 FILE:.....17-0199 Str Data Tables.dwg
 DIMSCALE: 0 LTSCALE:.....1
 PLOTTED BY: mwarren
 DATE:.....Sep 14, 2022 - 12:05pm



RECOMMENDED FOR APPROVAL		DESIGN ENGINEER _____ DATE _____	
DESIGNED: BWS	DRAWN: MRW		
CHECKED: ACD	CHECKED: BWS		

INDIANA DEPARTMENT OF TRANSPORTATION

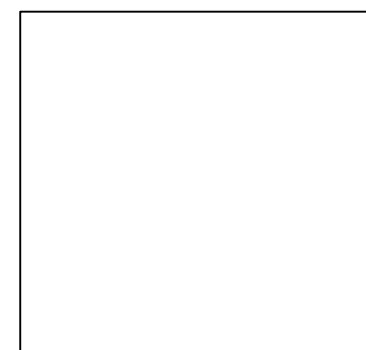
STRUCTURE DATA TABLE

HORIZONTAL SCALE	BRIDGE FILE
N/A	N/A
VERTICAL SCALE	DESIGNATION
	1700111
SURVEY BOOK	SHEETS
	100 of 152
CONTRACT	PROJECT
R-40412	1700111

STRUCTURE DATA

STRUCTURE NUMBER	LOCATION					SIZE IN.	PIPE TYP	DESCRIPTION MANHOLE, INLET, CATCH BASIN, OR SPECIALTY STRUCTURE AND	LENGT LFT	VIDE O LFT	INSPE	COVER FT	FLOW LINE		SERVI CE YRS	SITE DESIGNATI	pH	BACKFILL METHOD	STRU CTUR CYS	SCOUR PROTECTION					PIPE END SECTI	CONNECT TO STR.	REMARKS
	STATION	LEFT	RIGHT	CROSS	OFF FT								UP STREAM ELEV.	DOWN STREAM ELEV.						CE	SYS.	TONS	TONS	EA.			
174	454+83	X				12	2	Catch Basin B-15	12				491.05	490.96										175			
174A	484+78	X						Ex. 36" Brick Manhole																		Adjust Casting to Grade	
175	454+83	X			2	24	2	Manhole C-4	19				489.03	473.52											172		
176	454+88	X			14.4			Ex. 48" Conc. Manhole																		Adjust Casting to Grade	
177	454+99	X			15.4	15	2	Manhole C-4	14				492.61	492.52											179		
178	455+10	X				12	2	Catch Basin B-15	12				489.00	488.92											179		
179	455+10	X			2	24	2	Manhole C-4	23				489.23	489.13											175		
180	455+10		X			12	2	Catch Basin B-15	16				491.69	491.48											179		
181	455+60	X				12	2	Catch Basin B-15	12				491.75	491.59											182		
182	455+60	X			2	18	2	Manhole C-4	46				489.51	489.33											179		
183	455+60		X			12	2	Catch Basin B-15	16				491.79	491.59											182		
184	456+05	X				12	2	Catch Basin B-15	12				491.88	491.72											185		
185	456+05	X			2	18	2	Manhole C-4	41				489.77	489.61											182		
185A	456+05		X			12	2	Catch Basin B-15	16				491.92	491.72											185		
186	456+30		X			12	2	Inlet HA-5	11				491.95	491.81											188		
187	456+45	X			2	18	2	Manhole C-4	36				490.02	489.87											185		
188	456+45		X			12	2	Catch Basin HA-5	16				491.81	491.60											187		
189	456+50	X				12	2	Catch Basin B-15	12				491.77	491.60											187		
190	456+55		X			12	2	Inlet HA-5	6				491.91	491.81											188		
191	456+80		X			12	2	Inlet B-15	22				492.15	491.91											190		
192	457+00	X				12	2	Catch Basin B-15	12				492.21	492.05											193		
193	457+00	X			2	15	2	Manhole C-4	51				490.33	490.12											187		
194	457+25	X				12	2	Catch Basin C-15	12				492.14	491.98											195		
195	457+25	X			2	15	2	Manhole C-4	21				490.53	490.43											193		
196	457+25		X			12	2	Catch Basin B-15	16				492.18	491.98											195		
197	457+45	X				12	2	Inlet HA-5	17				492.34	492.14											194		
198	458+00	X				12	2	Catch Basin B-15	12				492.22	492.06											199		
199	458+00	X			2	12	2	Manhole C-4	71				490.90	490.63											195		
200	458+00		X			12	2	Catch Basin B-15	16				492.26	492.06											199		
201	458+33	X			40	12	2	Catch Basin B-15	35				491.89	491.70											201A		
201A	458+33	X			2	12	2	Manhole C-4	29				491.06	490.90											199		

DIRECTORY: S:\Project Files\2017\17-0199\CADD\Design\Sheet Sets\
 FILE: 17-0199 Str Data Tables.dwg
 DIMSCALE: 0 LTSCALE: 1
 PLOTTED BY: mwarren
 DATE: Sep 14, 2022 - 12:05pm



RECOMMENDED FOR APPROVAL _____
 DESIGN ENGINEER DATE
 DESIGNED: BWS DRAWN: MRW
 CHECKED: ACD CHECKED: BWS

INDIANA
DEPARTMENT OF TRANSPORTATION

STRUCTURE DATA TABLE

HORIZONTAL SCALE	BRIDGE FILE
N/A	N/A
VERTICAL SCALE	DESIGNATION
	1700111
SURVEY BOOK	SHEETS
	101 of 152
CONTRACT	PROJECT
R-40412	1700111

STRUCTURE DATA

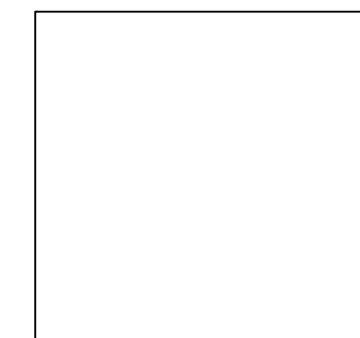
STRUCTURE NUMBER	LOCATION				SIZE IN.	PIPE TYPE	DESCRIPTION MANHOLE, INLET, CATCH BASIN, OR SPECIALTY STRUCTURE AND	LENGT LFT	VIDE O LFT	COVER FT	FLOW LINE		SERVY CE YRS	SITE DESIGNATI	PH	BACKFILL METHOD	STRU CTUR E CYS	SCOUR PROTECTION				PIPE END SECTI	CONNECT TO STR.	REMARKS		
	STATION	LEFT	RIGHT	CROSS							OFF FT	UP STREAM ELEV.						DOWN STREAM ELEV.	GE OT	EX RE	VE TW				CL AS	EA.
202	458+62	X			40	12	2	Catch Basin C-15	35		491.59	491.40										202A				
202A	458+63	X			2	12	2	Manhole C-4	19		490.00	489.66											204			
203	458+85	X				12	2	Catch Basin HA-5	12		491.27	491.11											204			
204	458+85	X			2	12	2	Manhole C-4	56		489.56	488.31											207			
205	458+85		X			12	2	Catch Basin B-15	16		491.31	491.11											204			
206	459+37		X			12	2	Catch Basin HA-5	18		489.98	489.87											207			
207	459+45	X			2	12	2	Manhole C-4	71		488.21	486.04											209			
208	459+50	X				12	2	Catch Basin B-15	12		489.93	489.76											207			
209	460+20	X			2	12	2	Manhole C-4	61		485.94	483.99											212			
210	460+20		X			12	2	Catch Basin B-15	16		487.89	487.69											209			
211	460+85	X				12	2	Catch Basin HA-5	12		485.90	485.74											212			
212	460+85	X			2	12	2	Manhole C-4	74		483.89	481.55											215			
213	460+85		X			12	2	Catch Basin B-15	16		485.94	485.74											212			
214	461+63	X				12	2	Catch Basin B-15	12		483.56	483.40											215			
215	461+63	X			2	18	2	Manhole C-4	133		481.45	477.34											218			
216	461+63		X			12	2	Catch Basin B-15	16		483.60	483.40											215			
217	463+00	X				12	2	Catch Basin B-15	12		479.45	479.29											218			
218	463+00	X			2	18	2	Manhole C-4	126		477.24	473.24											221			
219	463+00		X			12	2	Catch Basin B-15	16		479.49	479.29											218			
220	464+30	X				12	2	Catch Basin B-15	12		475.55	475.39											221			
221	464+30	X			2	18	2	Manhole C-4	43		473.24	471.82											221A			
221A	464+76	X			2	18	2	Mod. Manhole C-4	42		471.70	470.36											224			
221B	464+76	X						Offline SQU															221A			
222	464+30		X			12	2	Catch Basin B-15	16		475.59	475.39											221			
223	465+22	X			18			Ex. 24" Catch Basin																		
224	465+22	X			2	18	2	Manhole C-4	16		466.30	466.20											225			
225	465+22		X		18	18	2	Manhole C-4	31		466.20	465.20											Outlet			
226	465+60	X				12	2	Catch Basin B-15	13		472.00	471.92											227			
227	465+60	X			2	12	2	Manhole C-4	101		469.90	469.37											230			
228	465+60		X			12	2	Catch Basin B-15	17		472.02	471.92											227			

DIRECTORY: S:\Project Files\2017\17-0199\CADD\Design\Sheet Sets\
 FILE: 17-0199 Str Data Tables.dwg
 DIMSCALE: 0 LTSCALE: 1
 PLOTTED BY: mwarren
 DATE: Sep 14, 2022 - 12:06pm

RECOMMENDED FOR APPROVAL	DESIGN ENGINEER _____ DATE _____	INDIANA DEPARTMENT OF TRANSPORTATION	HORIZONTAL SCALE	BRIDGE FILE
	DESIGNED: BWS DRAWN: MRW		N/A	N/A
CHECKED: ACD	CHECKED: BWS	STRUCTURE DATA TABLE	VERTICAL SCALE	DESIGNATION
				1700111
			SURVEY BOOK	SHEETS
			CONTRACT R-40412	102 of 152 PROJECT
				1700111

DIRECTORY: S:\Project Files\2017\17-0199\CADD\Design\Sheet Sets\
 FILE: 17-0199 Str Data Tables.dwg
 DIMSCALE: 0 LTSCALE: 1
 PLOTTED BY: mwarren
 DATE: Sep 14, 2022 - 12:06pm

STRUCTURE DATA																									
STRUCTURE NUMBER	LOCATION				SIZE	PIPE TYPE	DESCRIPTION MANHOLE, INLET, CATCH BASIN, OR SPECIALTY STRUCTURE AND	LENGTH	WIDTH	DEPTH	COVER	FLOW LINE		SERV. CE	SITE DESIGNATION	PH	BACKFILL METHOD	STRUCTURE	SCOUR PROTECTION				PIPE END SECTI	CONNECT TO STR.	REMARKS
	STATION	LEFT	RIGHT	CROSS								FT	IN.						LFT	LFT	FT	UP STREAM ELEV.			
229	466+65	X			12	2	Catch Basin B-15	13				469.48	469.38									230			
230	466+65	X		2	12	2	Manhole C-4	31				469.37	469.19									234			
231	466+65		X		12	2	Catch Basin B-15	17				469.48	469.38									230			
232	466+94		X		12	2	Catch Basin B-15	18				469.30	469.19									234			
233	467+00	X			12	2	Catch Basin B-15	13				469.29	469.19									234			
234	467+00	X		2	12	2	Manhole C-4	49				469.19	469.01									238			
236	467+53	X			18	2	Catch Basin HA-5	12				468.51	468.42									238			
237	467+53		X	17.9			Manhole C-4																Connect to Exist. Pipe		
238	467+53	X		2	18	2	Manhole C-4	16				468.40	468.29									237			
239	467+63	X		2	18	2	Mod. Manhole C-4	6				468.53	468.50									238			
239A	467+75		X				Offline SQU															239			
240	467+85		X		12	2	Catch Basin B-15	29				468.77	486.60									237			
240A	467+85	X			15	2	Inlet B-15	30				468.91	468.81									236			
240B	468+12	X		2	18	2	Mod. Manhole K-4	45				468.70	468.52									239			
241	468+15	X			21	2	Catch Basin B-15	14				469.42	469.32									242			
242	468+22	X		2	24	2	Manhole C-4	5				468.96	468.90									240B			
243	468+22		X		21	2	Catch Basin B-15	17				469.42	469.32									242			
244	468+65	X			21	2	Catch Basin B-15	13				469.37	469.27									245			
245	468+65	X		2	24	2	Manhole C-4	39				469.07	468.96									242			
245A	468+65		X		21	2	Catch Basin HA-5	17				469.37	469.27									245			
246	469+08	X			18	2	Catch Basin HA-5	12				469.58	469.48									247			
247	469+08	X		2	24	2	Manhole C-4	39				469.20	469.09									245			
248	469+20	X		38.1	15	2	Inlet B-15	22				469.94	469.82									249			
249	469+32	X			18	2	Catch Basin HA-5	12				469.72	469.62									250			
250	469+32	X		2	24	2	Manhole C-4	20				469.52	469.40									247			
251	469+32		X		18	2	Catch Basin B-15	17				469.72	469.62									250			
252	469+68	X			12	2	Catch Basin HA-5	12				469.99	469.89									253			
253	469+68	X		2	15	2	Manhole C-4	32				469.79	469.61									250			
254	469+75	X		38.1	12	2	Inlet B-15	20				470.19	470.09									252			



RECOMMENDED FOR APPROVAL		DESIGN ENGINEER		DATE	
DESIGNED: BWS	DRAWN: MRW				
CHECKED: ACD	CHECKED: BWS				

INDIANA
DEPARTMENT OF TRANSPORTATION

STRUCTURE DATA TABLE

HORIZONTAL SCALE	BRIDGE FILE
N/A	N/A
VERTICAL SCALE	DESIGNATION
	1700111
SURVEY BOOK	SHEETS
	103 of 152
CONTRACT	PROJECT
R-40412	1700111

DIRECTORY.....S:\Project Files\2017\17-0199\CADD\Design\Sheet Sets\
 FILE.....17-0199 Str Data Tables.dwg
 DIMSCALE 0 LTSCALE.....1
 PLOTTED BY: mwarren
 DATE.....Sep 14, 2022 - 12:06pm

STRUCTURE DATA																								
STRUCTURE NUMBER	LOCATION				SIZE	DESCRIPTION MANHOLE, INLET, CATCH BASIN, OR SPECIALTY STRUCTURE AND	LENGT	VIDE O INSPE	COVER	FLOW LINE		SERVI CE	SITE DESIGNATI	pH	BACKFILL METHOD	STRU CTUR	SCOUR PROTECTION					PIPE END SECTI	CONNECT TO STR.	REMARKS
	STATION	LEFT	RIGHT	CROSS						FT	IN.						PIPE TYP	LFT	LFT	FT	UP STREAM ELEV.			
255	470+05	X			2	12	2	Manhole C-4	33		470.01	469.88											253	
256	470+05		X			12	2	Catch Basin B-15	17		470.27	470.17											255	
257	470+10	X				12	2	Catch Basin HA-5	14		470.27	470.17											255	
258	470+25	X			44.2			Ex. 48" Conc. Manhole	33															Adjust Casting to Grade
259	470+27	X			19.6			Ex. 48" Conc. Manhole	27															Adjust Casting to Grade
260	470+30	X			54.9	12	2	Inlet B-15	34		470.75	470.56											263	
261	470+36	X			2	12	2	Manhole C-4	27		470.22	470.11											255	
262	470+36		X			12	2	Catch Basin B-15	17		470.45	470.35											261	
263	470+46	X				12	2	Catch Basin HA-5	19		470.46	470.35											261	
264	470+62	X				12	2	Inlet HA-5	13		470.65	470.56											263	
266	471+25		X			12	2	Inlet HA-5	32		471.68	471.50											268	
267	471+60	X			2	12	2	Manhole C-4	61		471.09	470.79											272	
268	471+60		X			12	2	Catch Basin C-15	17		471.40	471.30											267	
269	471+64	X				12	2	Catch Basin B-15	25		471.45	471.30											267	
270	471+95		X			12	2	Inlet HA-5	30		471.36	471.19											273	
271	472+25	X				12	2	Catch Basin B-15	18		471.19	471.08											272	
272	472+25	X			2	15	2	Manhole C-4	43		470.69	470.53											276	
273	472+28		X			12	2	Catch Basin HA-5	17		471.19	471.08											272	
274	472+55	X				12	2	Inlet B-15	14		471.02	470.92											275	
275	472+72	X				12	2	Catch Basin C-15	9		470.82	470.74											276	
276	472+72	X			6	18	2	Manhole C-4	6		470.39	470.30											276A	
276A	472+73		X		4	18	2	Mod. Manhole C-4	18		470.28	470.20											277	
276B	472+78							Offline SQU															276A	
277	472+74		X					Mod. Catch Basin C-15																Connect to Exist. Pipe
278	472+75	X			17.4			Ex. 24"x24" Catch Basin																
279	472+75		X		21.2			Ex. 24" Conc. Manhole																
280	472+82	X				12	2	Inlet B-15	7		471.02	470.92											275	
281	472+82		X			12	2	Inlet B-15	5		470.80	470.70											277	
281A	472+88	X			2	18	2	Mod. Manhole K-4	19		470.55	470.43											276	
282	473+05	X			22	15	2	Inlet E-7	3		471.21	471.11											283	Top of Casting = 475.09
283	473+05	X				15	2	Catch Basin C-15	13		471.11	471.01											284	

RECOMMENDED FOR APPROVAL		DESIGN ENGINEER		DATE	
DESIGNED: BWS	DRAWN: MRW				
CHECKED: ACD	CHECKED: BWS				

INDIANA
DEPARTMENT OF TRANSPORTATION

STRUCTURE DATA TABLE

HORIZONTAL SCALE	BRIDGE FILE
N/A	N/A
VERTICAL SCALE	DESIGNATION
	1700111
SURVEY BOOK	SHEETS
	104 of 152
CONTRACT	PROJECT
R-40412	1700111

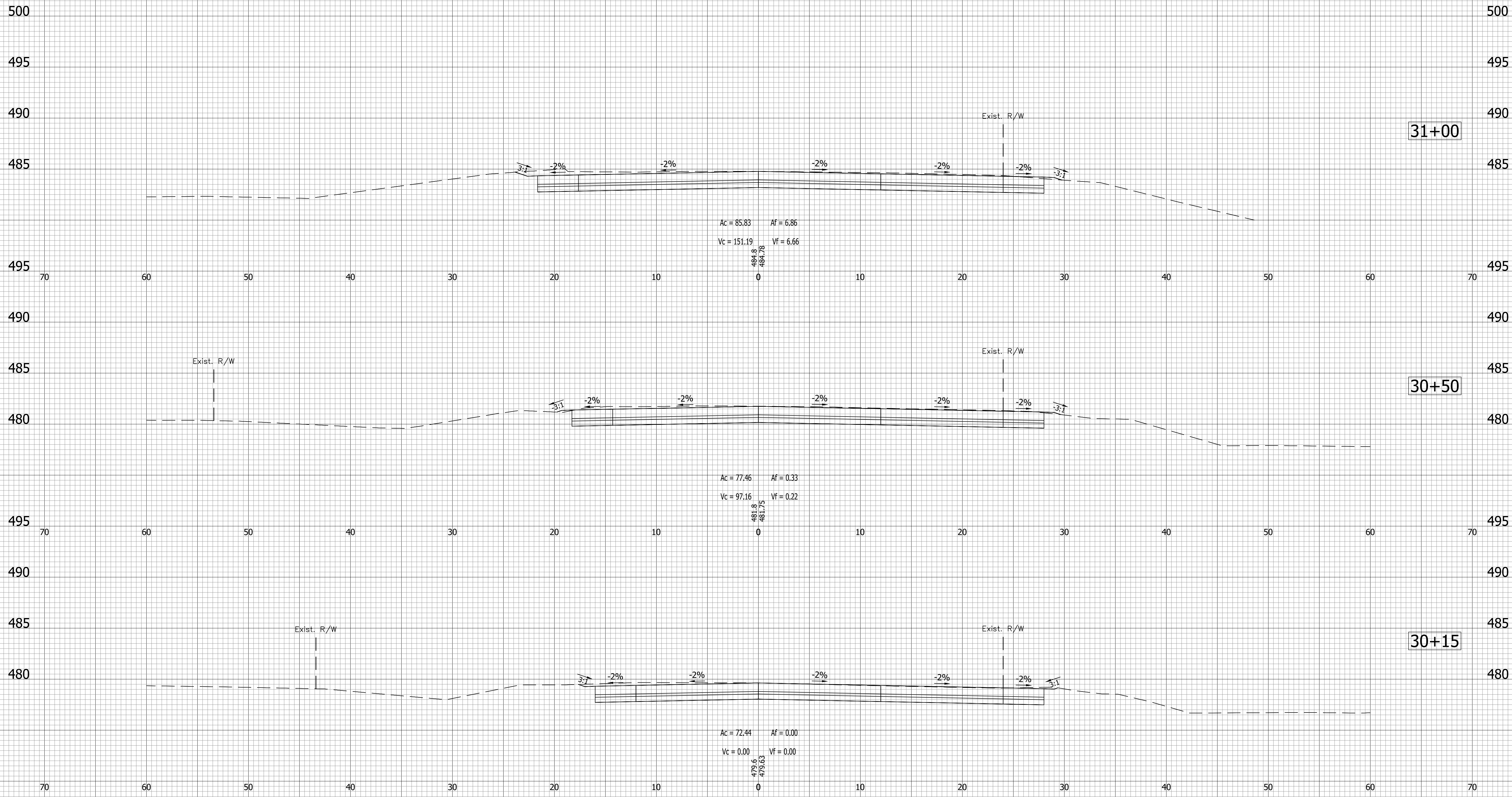
STRUCTURE DATA

STRUCTURE NUMBER	LOCATION				SIZE IN.	PIPE TYPE	DESCRIPTION MANHOLE, INLET, CATCH BASIN, OR SPECIALTY STRUCTURE AND	LENGT LFT	VIDE O LFT	COVER FT	FLOW LINE		SERVY CE YRS	SITE DESIGNATI	PH	BACKFILL METHOD	STRU CTUR E CYS	SCOUR PROTECTION			PIPE END SECTI	CONNECT TO STR.	REMARKS		
	STATION	LEFT	RIGHT	CROSS							OFF FT	UP STREAM ELEV.						DOWN STREAM ELEV.	GE OT	EX RE				VE TON	CL TONS
284	473+05	X			2	2	Manhole C-4	5			470.56	470.51										281A			
285	473+05		X			12	Catch Basin B-15	29			471.17	471.01											284		
286	473+50	X			21.2	12	Inlet E-7	2			471.44	471.34											287	Top of Casting = 475.14	
287	473+50	X				12	Catch Basin C-15	13			471.34	471.24											288		
288	473+50	X			2	24	Manhole C-4	41			470.76	470.60											284		
289	473+50		X			12	Catch Basin B-15	29			471.40	471.24											288		
290	474+05	X				12	Catch Basin B-15	13			471.62	471.52											291		
291	474+05	X			2	18	Manhole C-4	51			471.05	470.86											288		
292	474+05		X			12	Catch Basin C-15	31			471.69	471.52											291		
293	474+35	X				12	Inlet B-15	27			471.96	471.81											295		
294	474+47		X			12	Inlet B-15	44			471.93	471.69											292		
295	474+65	X				12	Catch Basin C-15	13			471.71	471.61											296		
296	474+65	X			2	12	Manhole C-4	56			471.42	471.15											291		
297	474+95	X				12	Inlet B-15	27			471.96	471.81											295		
298	475+09		X		53.4		Ex. 24"x24" Catch Basin																		
299	475+17		X				Mod. Catch Basin B-15																	Connect to Exist. Pipe	
300	475+30	X				12	Catch Basin B-15	13			472.12	472.04											301		
301	475+30	X			2	12	Manhole C-4	61			471.81	471.52											296		
302	477+00	X			16.8		Ex. 24"x24" Catch Basin																		
303	488+69	X			18.2		Ex. 48" Brick Manhole																		
304	490+14		X		18.1		Ex. 24" Brick Manhole																		
305	492+02	X			18		Ex. 48" Conc. Manhole																		
306	492+52		X		18.3		Ex. 48" Conc. Manhole																		
307	494+69		X		18.6		Ex. 48" Conc. Manhole																		
308	497+53		X		18.8		Ex. 24"x24" Catch Basin																		
309	499+77		X		18.9		Ex. 24"x24" Catch Basin																		

DIRECTORY: S:\Project Files\2017\17-0199\CADD\Design\Sheet Sets\
 FILE: 17-0199 Str Data Tables.dwg
 DIMSCALE: 0 LTSCALE: 1
 PLOTTED BY: mwarren
 DATE: Sep 14, 2022 - 12:06pm

RECOMMENDED FOR APPROVAL	DESIGN ENGINEER _____ DATE _____	INDIANA DEPARTMENT OF TRANSPORTATION	HORIZONTAL SCALE	BRIDGE FILE
	DESIGNED: BWS DRAWN: MRW		N/A	N/A
CHECKED: ACD	CHECKED: BWS	STRUCTURE DATA TABLE	VERTICAL SCALE	DESIGNATION
				1700111
			SURVEY BOOK	SHEETS
			CONTRACT	105 of 152
			R-40412	PROJECT
				1700111

DIRECTORY: S:\Project Files\2017\17-0199\CADD\Design\Sheet Sets\
 FILE:0199 XSec.dwg
 DIMSCALE: 5 LTSCALE:1
 PLOTTED BY: mwarren
 DATE:Sep 14, 2022 - 12:00pm



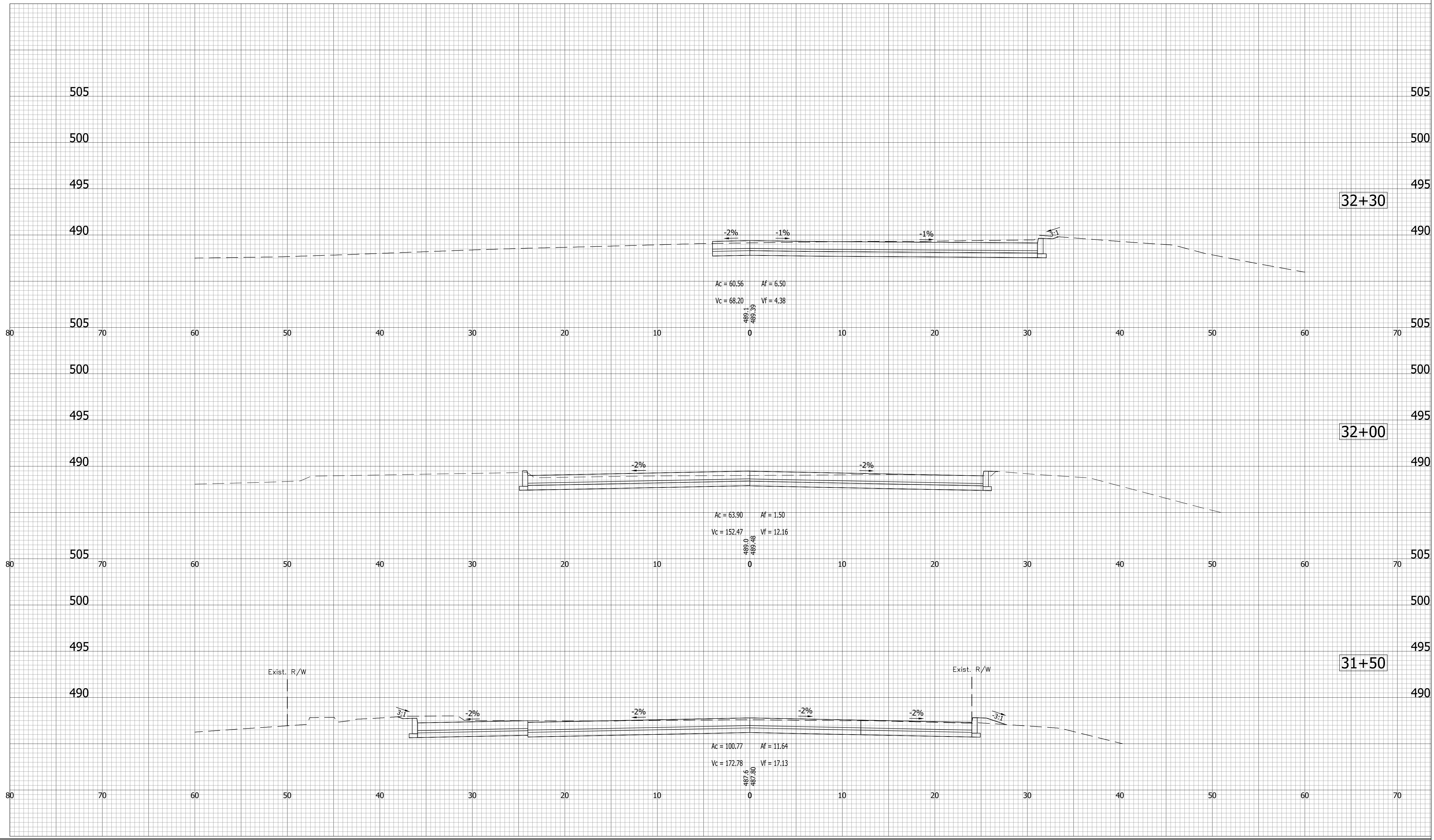
RECOMMENDED FOR APPROVAL		DESIGN ENGINEER		DATE	
DESIGNED:	BWS	DRAWN:	MRW		
CHECKED:	ACD	CHECKED:	BWS		

INDIANA
DEPARTMENT OF TRANSPORTATION

CROSS SECTIONS
LINE "B"

HORIZONTAL SCALE	BRIDGE FILE
1"=5'	N/A
VERTICAL SCALE	DESIGNATION
1"=5'	1700111
SURVEY BOOK	SHEETS
	107 of 152
CONTRACT	PROJECT
R-40412	1700111

DIRECTORY: S:\Project Files\2017\17-0199\CADD\Design\Sheet Sets\
 FILE:0199 XSec.dwg
 DIMSCALE: 5 LTSCALE:1
 PLOTTED BY: mwarren
 DATE:Sep 14, 2022 - 12:01pm



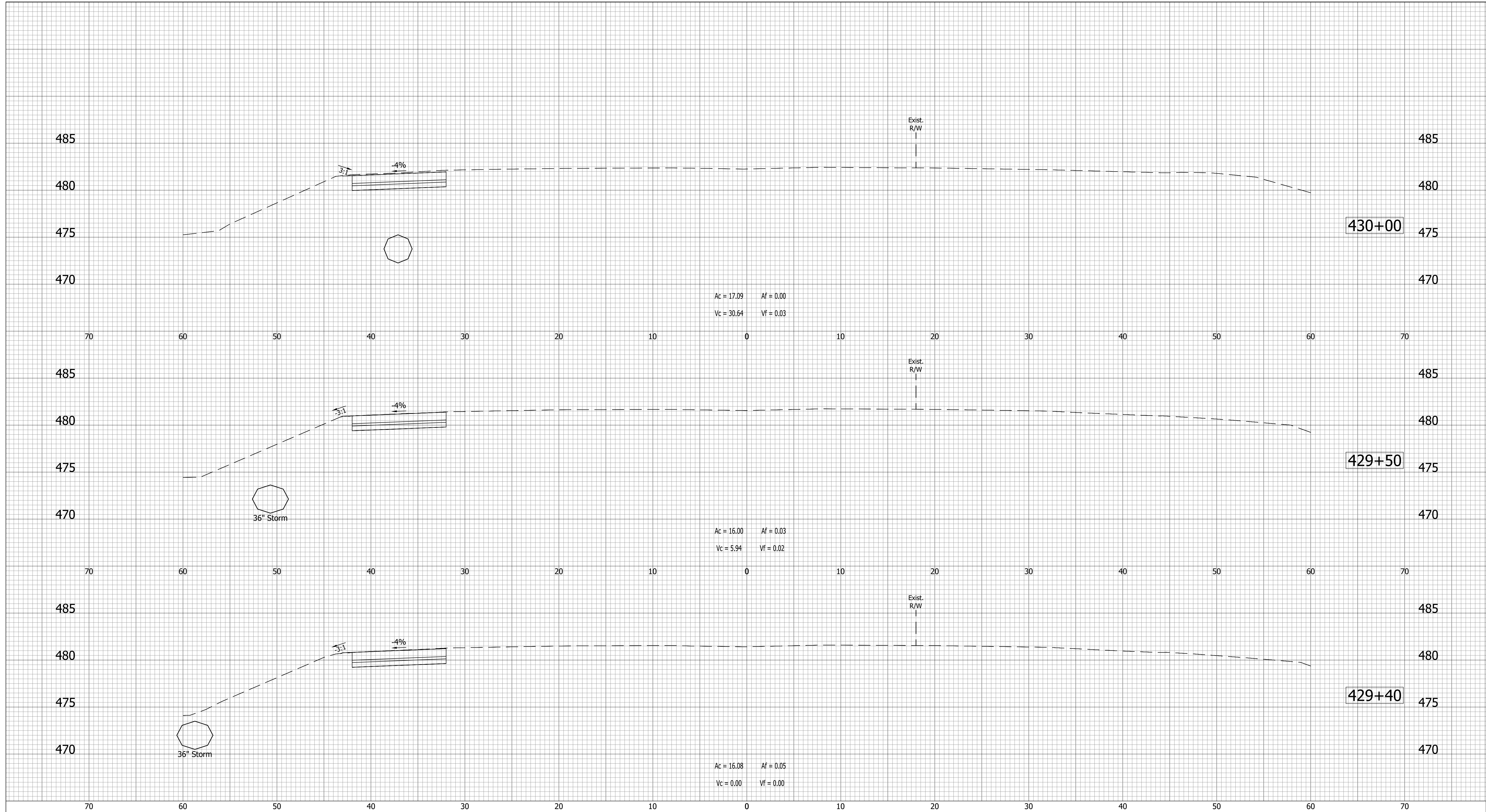
RECOMMENDED FOR APPROVAL		DESIGN ENGINEER	DATE
DESIGNED: BWS	DRAWN: MRW		
CHECKED: ACD	CHECKED: BWS		

INDIANA
DEPARTMENT OF TRANSPORTATION

CROSS SECTIONS
LINE "B"

HORIZONTAL SCALE	BRIDGE FILE
1"=5'	N/A
VERTICAL SCALE	DESIGNATION
1"=5'	1700111
SURVEY BOOK	SHEETS
	108 of 152
CONTRACT	PROJECT
R-40412	1700111

DIRECTORY: C:\Users\imwarren\AppData\Local\Temp\AcPublish_510321
 FILE:17-0199 Base Xsecs.dwg
 DIMSCALE: 1/16 LTSCALE:1
 PLOTTED BY: imwarren
 DATE:Sep 14, 2022 - 4:51pm



- (D) 6" PCCP for Approaches on Dense Graded Subbase on Subgrade Treatment, Type II
- (D1) 9" PCCP for Approaches on Dense Graded Subbase on Geogrid, Type IB on Subgrade Treatment, Type II
- (F) Sidewalk, Concrete, 4"
- (K) Full Depth Pavement
- (K1) Full Depth Pavement, PCCP for Approaches
- (R) 165#/SYS QC/QA-HMA, 2, 70, Surface, 9.5mm on Asphalt Milling, 1.5 in.
- (R1) 165#/SYS HMA For Approaches, Type D on Asphalt Milling, 1.5 in.
- (S) Subgrade Treatment, Type XX
- (U) Underdrain
- (DW) Detectable Warning Surface
- (R) Concrete Curb Ramp
- (O) Compacted Aggregate
- (15) Curb
- (16) Center Curb
- (26) Sodding

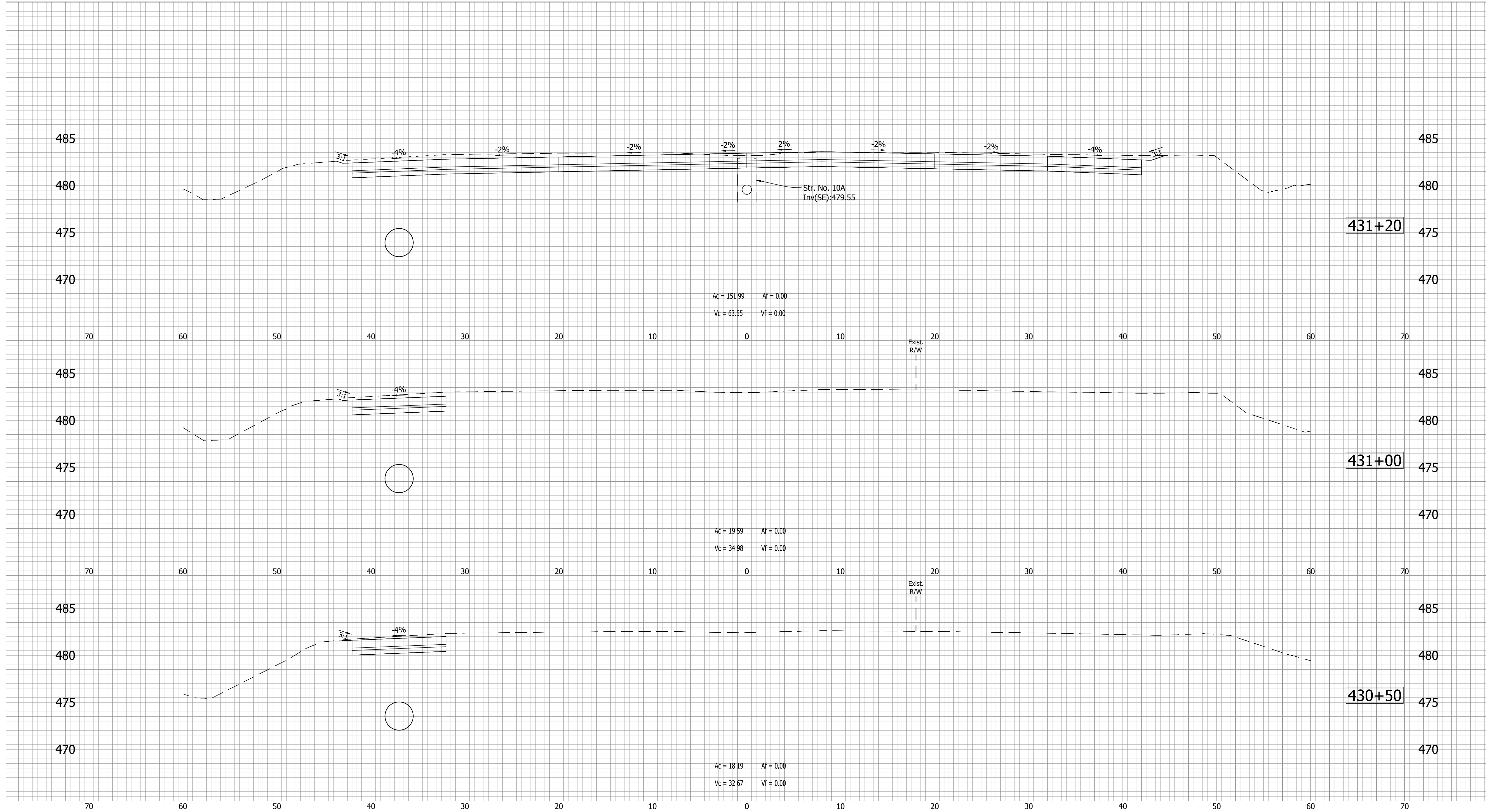
RECOMMENDED FOR APPROVAL _____ DESIGN ENGINEER DATE	DESIGNED: BWS CHECKED: ACD
DRAWN: MRW CHECKED: BWS	DATE

INDIANA
DEPARTMENT OF TRANSPORTATION

CROSS SECTIONS
LINE "A"

HORIZONTAL SCALE	BRIDGE FILE
VERTICAL SCALE	N/A
SURVEY BOOK	DESIGNATION
CONTRACT	1700111
R-40412	SHEETS
	109 of 152
	PROJECT
	1700111

DIRECTORY: C:\Users\imwarren\AppData\Local\Temp\AcPublish_51032\
 FILE:17-0199 Base Xsecs.dwg
 DIMSCALE: 1 LTSCALE:1
 PLOTTED BY: imwarren
 DATE:Sep 14, 2022 - 4:51pm



- (D) 6" PCCP for Approaches on Dense Graded Subbase on Subgrade Treatment, Type II
- (D1) 9" PCCP for Approaches on Dense Graded Subbase on Geogrid, Type IB on Subgrade Treatment, Type II
- (F) Sidewalk, Concrete, 4"
- (K) Full Depth Pavement
- (K1) Full Depth Pavement, PCCP for Approaches
- (R) 165#/SYS QC/QA-HMA, 2, 70, Surface, 9.5mm on Asphalt Milling, 1.5 in.
- (R1) 165#/SYS HMA For Approaches, Type D on Asphalt Milling, 1.5 in.
- (S) Subgrade Treatment, Type XX
- (U) Underdrain
- (DW) Detectable Warning Surface
- (R) Concrete Curb Ramp
- (O) Compacted Aggregate
- (15) Curb
- (16) Center Curb
- (26) Sodding

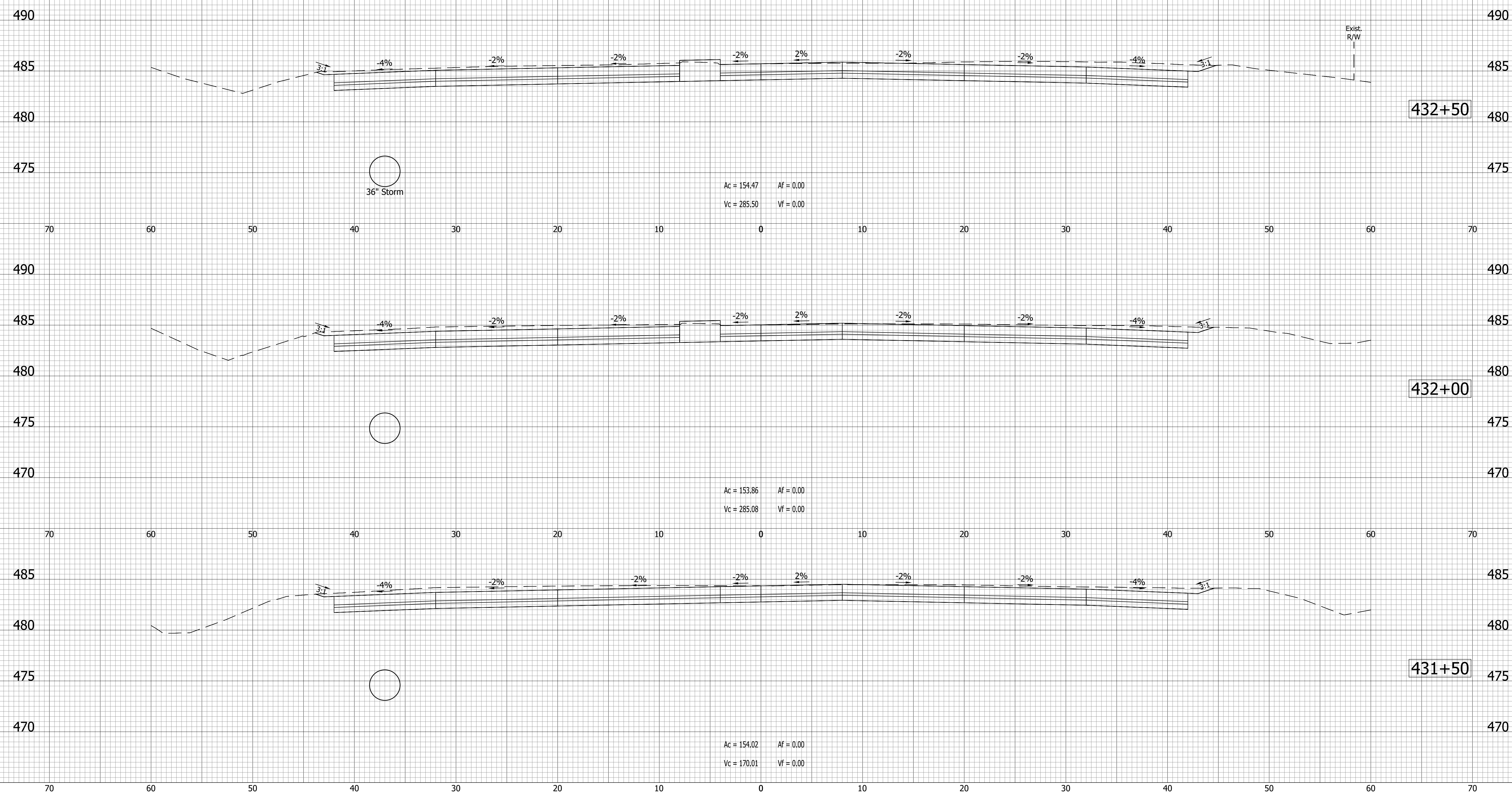
RECOMMENDED FOR APPROVAL	
DESIGN ENGINEER	DATE
DESIGNED: BWS	DRAWN: MRW
CHECKED: ACD	CHECKED: BWS

INDIANA
DEPARTMENT OF TRANSPORTATION

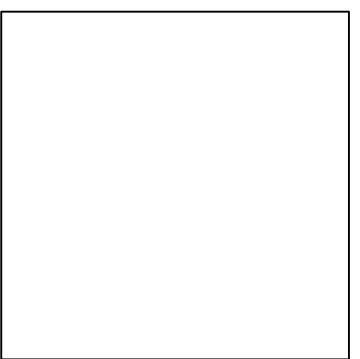
CROSS SECTIONS
LINE "A"

HORIZONTAL SCALE	BRIDGE FILE
VERTICAL SCALE	N/A
SURVEY BOOK	DESIGNATION
	1700111
CONTRACT	SHEETS
R-40412	110 of 152
	PROJECT
	1700111

DIRECTORY: C:\Users\mwarren\AppData\Local\Temp\AcPublish_510321
 FILE:17-0199 Base Xsecs.dwg
 DIMSCALE: 1 LTSCALE:1
 PLOTTED BY: mwarren
 DATE:Sep 14, 2022 - 4:51pm



- (D) 6" PCCP for Approaches on Dense Graded Subbase on Subgrade Treatment, Type II
- (K) Full Depth Pavement
- (R) 165#/SYS QC/QA-HMA, 2, 70, Surface, 9.5mm on Asphalt Milling, 1.5 in.
- (DW) Detectable Warning Surface
- (15) Curb
- (D1) 9" PCCP for Approaches on Dense Graded Subbase on Geogrid, Type IB on Subgrade Treatment, Type II
- (K1) Full Depth Pavement, PCCP for Approaches
- (R1) 165#/SYS HMA For Approaches, Type D on Asphalt Milling, 1.5 in.
- (R) Concrete Curb Ramp
- (16) Center Curb
- (S) Subgrade Treatment, Type XX
- (O) Compacted Aggregate
- (26) Sodding
- (F) Sidewalk, Concrete, 4"
- (U) Underdrain



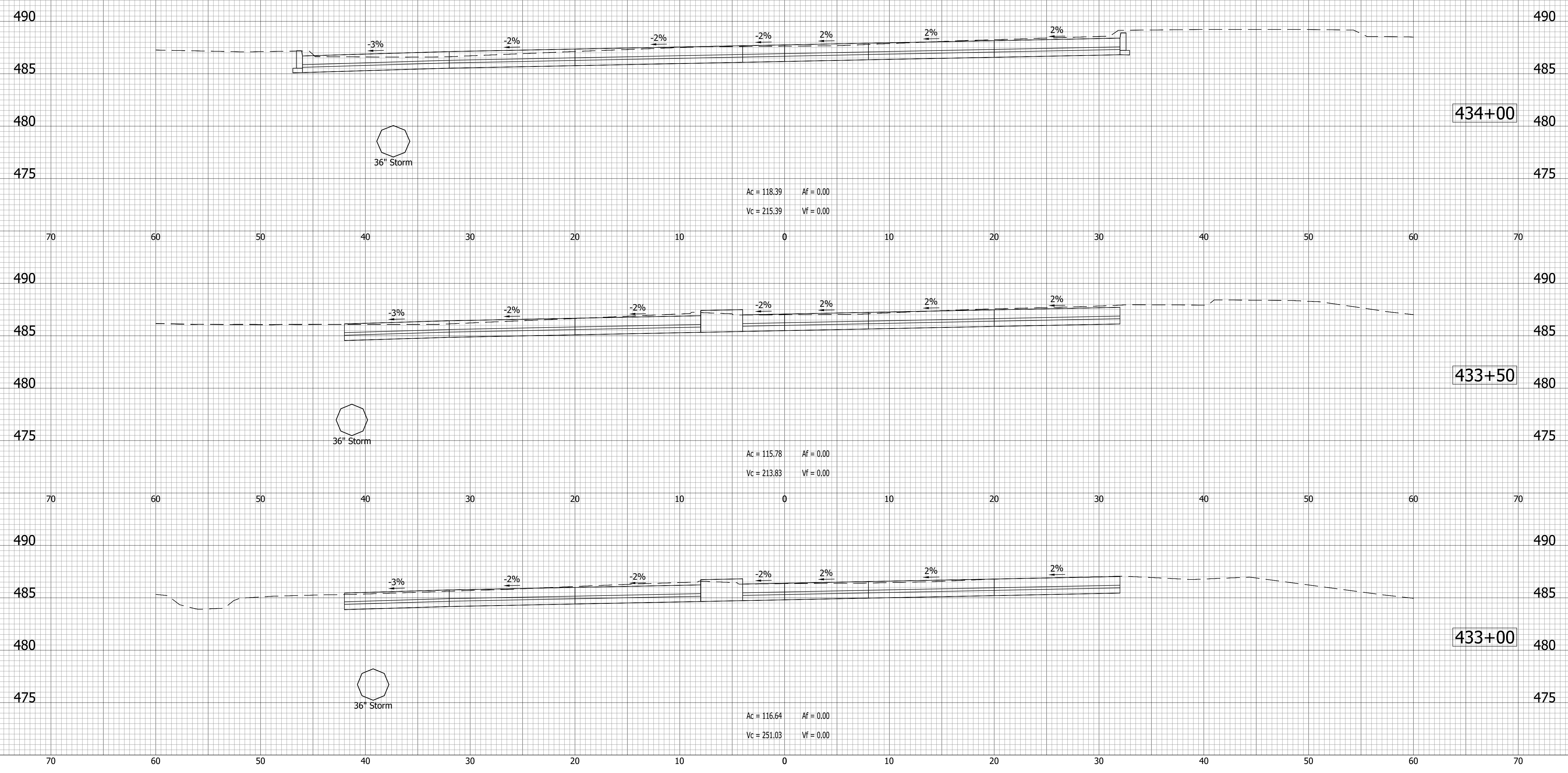
RECOMMENDED FOR APPROVAL	
DESIGN ENGINEER	DATE
DESIGNED: BWS	DRAWN: MRW
CHECKED: ACD	CHECKED: BWS

**INDIANA
DEPARTMENT OF TRANSPORTATION**

**CROSS SECTIONS
LINE "A"**

HORIZONTAL SCALE	BRIDGE FILE
VERTICAL SCALE	N/A
SURVEY BOOK	DESIGNATION
	1700111
CONTRACT	SHEETS
R-40412	111 of 152
	PROJECT
	1700111

DIRECTORY: C:\Users\mwarren\AppData\Local\Temp\AcPublish_510321
 FILE:17-0199 Base Xsecs.dwg
 DIMSCALE: 1/16 LTSCALE:1
 PLOTTED BY: mwarren
 DATE:Sep 14, 2022 - 4:52pm



- (D) 6" PCCP for Approaches on Dense Graded Subbase on Subgrade Treatment, Type II
- (D1) 9" PCCP for Approaches on Dense Graded Subbase on Geogrid, Type IB on Subgrade Treatment, Type II
- (F) Sidewalk, Concrete, 4"
- (K) Full Depth Pavement
- (K1) Full Depth Pavement, PCCP for Approaches
- (R) 165#/SYS QC/QA-HMA, 2, 70, Surface, 9.5mm on Asphalt Milling, 1.5 in.
- (R1) 165#/SYS HMA For Approaches, Type D on Asphalt Milling, 1.5 in.
- (S) Subgrade Treatment, Type XX
- (U) Underdrain
- (DW) Detectable Warning Surface
- (R) Concrete Curb Ramp
- (O) Compacted Aggregate
- (15) Curb
- (16) Center Curb
- (26) Sodding

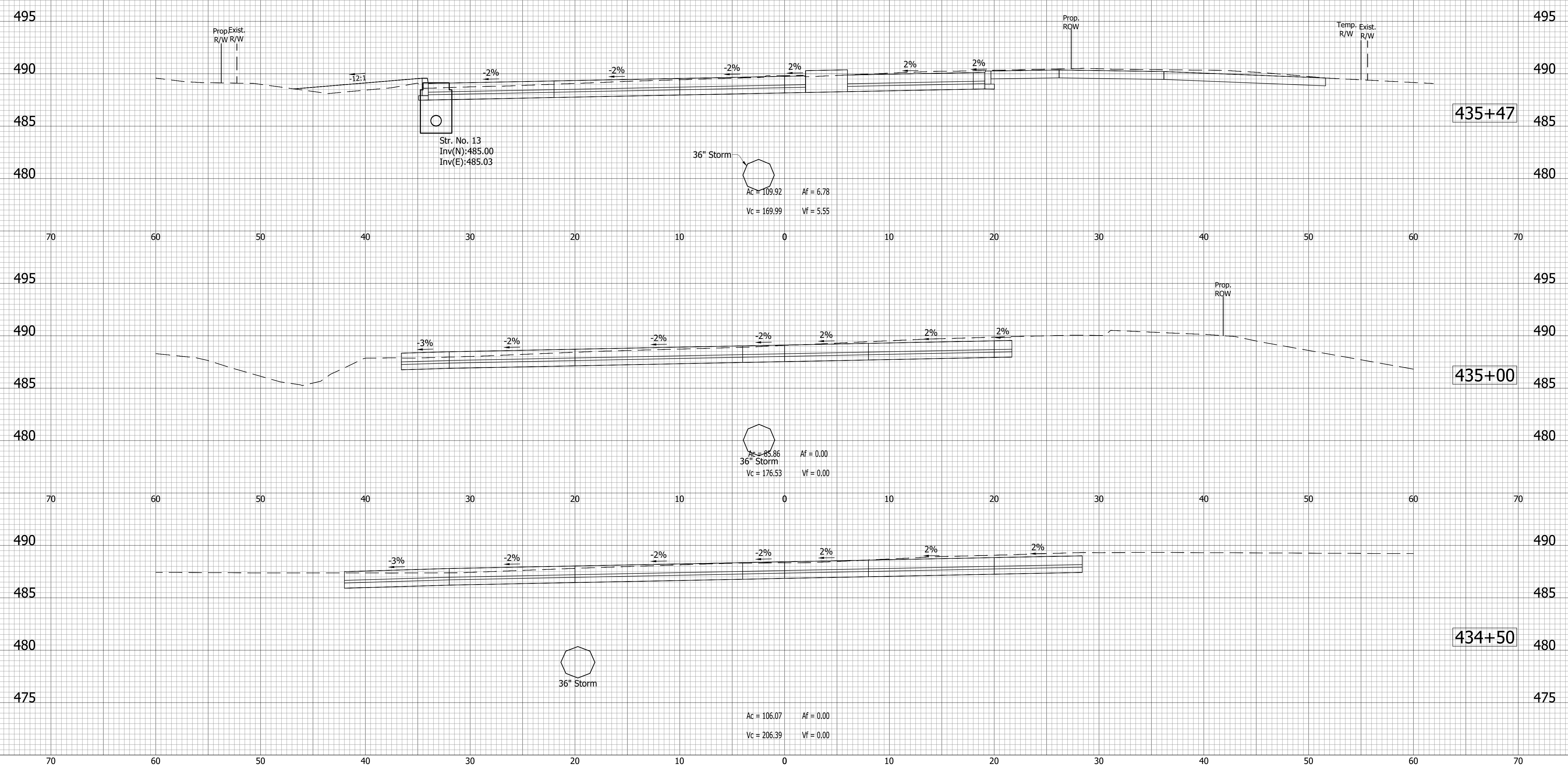
RECOMMENDED FOR APPROVAL		DESIGN ENGINEER	DATE
DESIGNED: BWS	DRAWN: MRW		
CHECKED: ACD	CHECKED: BWS		

**INDIANA
DEPARTMENT OF TRANSPORTATION**

**CROSS SECTIONS
LINE "A"**

HORIZONTAL SCALE	BRIDGE FILE
VERTICAL SCALE	N/A
SURVEY BOOK	DESIGNATION
	1700111
CONTRACT	SHEETS
R-40412	112 of 152
	PROJECT
	1700111

DIRECTORY: C:\Users\mwarren\AppData\Local\Temp\AcPublish_510321
 FILE:17-0199 Base Xsecs.dwg
 DIMSCALE: 1/16 LTSCALE:1
 PLOTTED BY: mwarren
 DATE:Sep 14, 2022 - 4:52pm



- (D) 6" PCCP for Approaches on Dense Graded Subbase on Subgrade Treatment, Type II
- (K) Full Depth Pavement
- (R) 165#/SYS QC/QA-HMA, 2, 70, Surface, 9.5mm on Asphalt Milling, 1.5 in.
- (DW) Detectable Warning Surface
- (15) Curb
- (D1) 9" PCCP for Approaches on Dense Graded Subbase on Geogrid, Type IB on Subgrade Treatment, Type II
- (K1) Full Depth Pavement, PCCP for Approaches
- (R1) 165#/SYS HMA For Approaches, Type D on Asphalt Milling, 1.5 in.
- (R) Concrete Curb Ramp
- (16) Center Curb
- (S) Subgrade Treatment, Type XX
- (O) Compacted Aggregate
- (26) Sodding
- (F) Sidewalk, Concrete, 4"
- (U) Underdrain

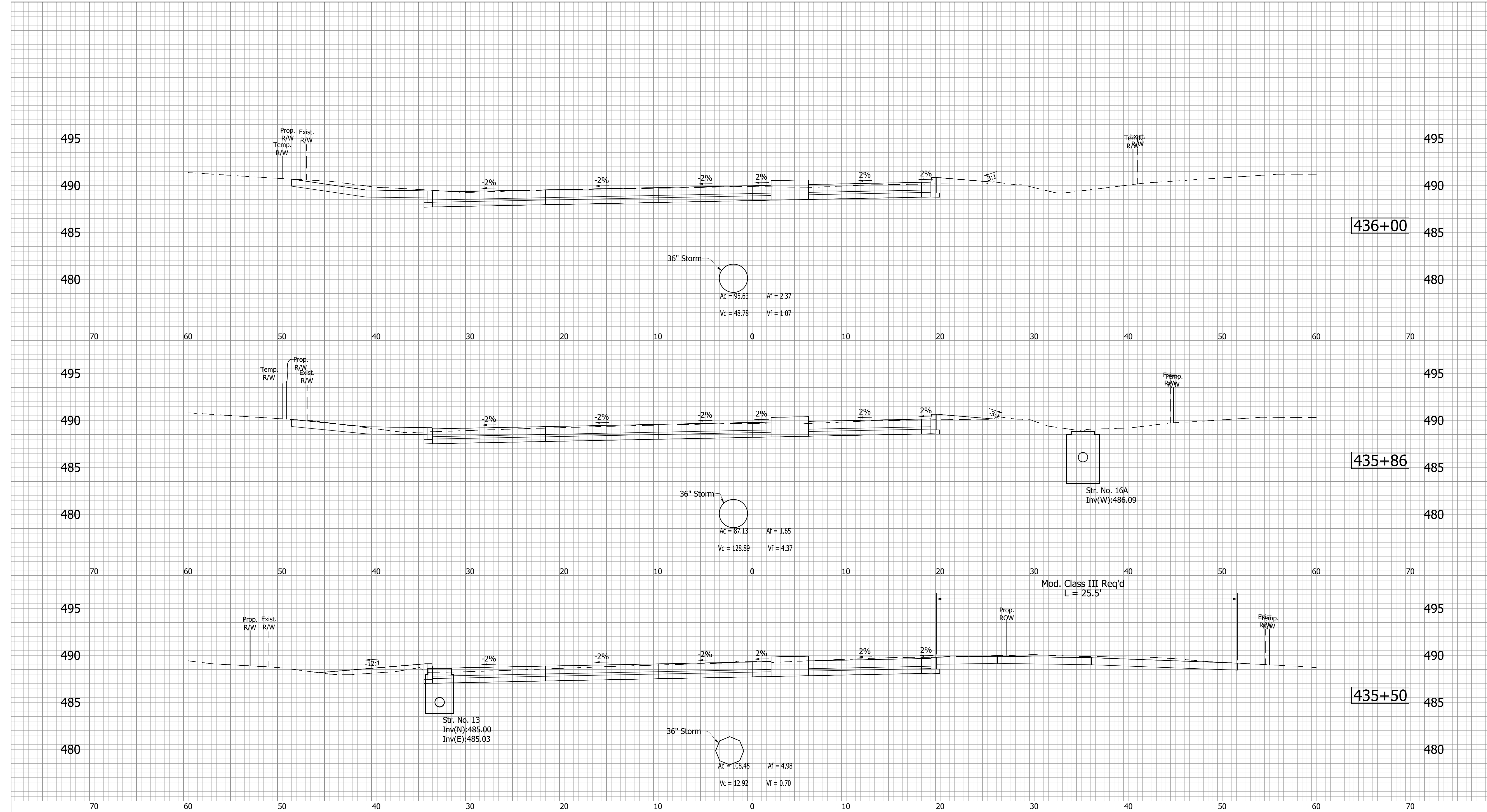
RECOMMENDED FOR APPROVAL	
DESIGN ENGINEER	DATE
DESIGNED: BWS	DRAWN: MRW
CHECKED: ACD	CHECKED: BWS

**INDIANA
DEPARTMENT OF TRANSPORTATION**

**CROSS SECTIONS
LINE "A"**

HORIZONTAL SCALE	BRIDGE FILE
VERTICAL SCALE	N/A
SURVEY BOOK	DESIGNATION
	1700111
CONTRACT	SHEETS
R-40412	113 of 152
	PROJECT
	1700111

DIRECTORY: C:\Users\imwarren\AppData\Local\Temp\AcPublish_51032\1
 FILE: 17-0199 Base Xsecs.dwg
 DIMSCALE: 1/8"=1'-0"
 PLOTTED BY: imwarren
 DATE: Sep 14, 2022 - 4:52pm



- (D) 6" PCCP for Approaches on Dense Graded Subbase on Subgrade Treatment, Type II
- (D1) 9" PCCP for Approaches on Geogrid, Type IB on Subgrade Treatment, Type II
- (F) Sidewalk, Concrete, 4"
- (K) Full Depth Pavement
- (K1) Full Depth Pavement, PCCP for Approaches
- (R) 165#/SYS QC/QA-HMA, 2, 70, Surface, 9.5mm on Asphalt Milling, 1.5 in.
- (R1) 165#/SYS HMA For Approaches, Type D on Asphalt Milling, 1.5 in.
- (S) Subgrade Treatment, Type XX
- (U) Underdrain
- (DW) Detectable Warning Surface
- (R) Concrete Curb Ramp
- (O) Compacted Aggregate
- (15) Curb
- (16) Center Curb
- (26) Sodding

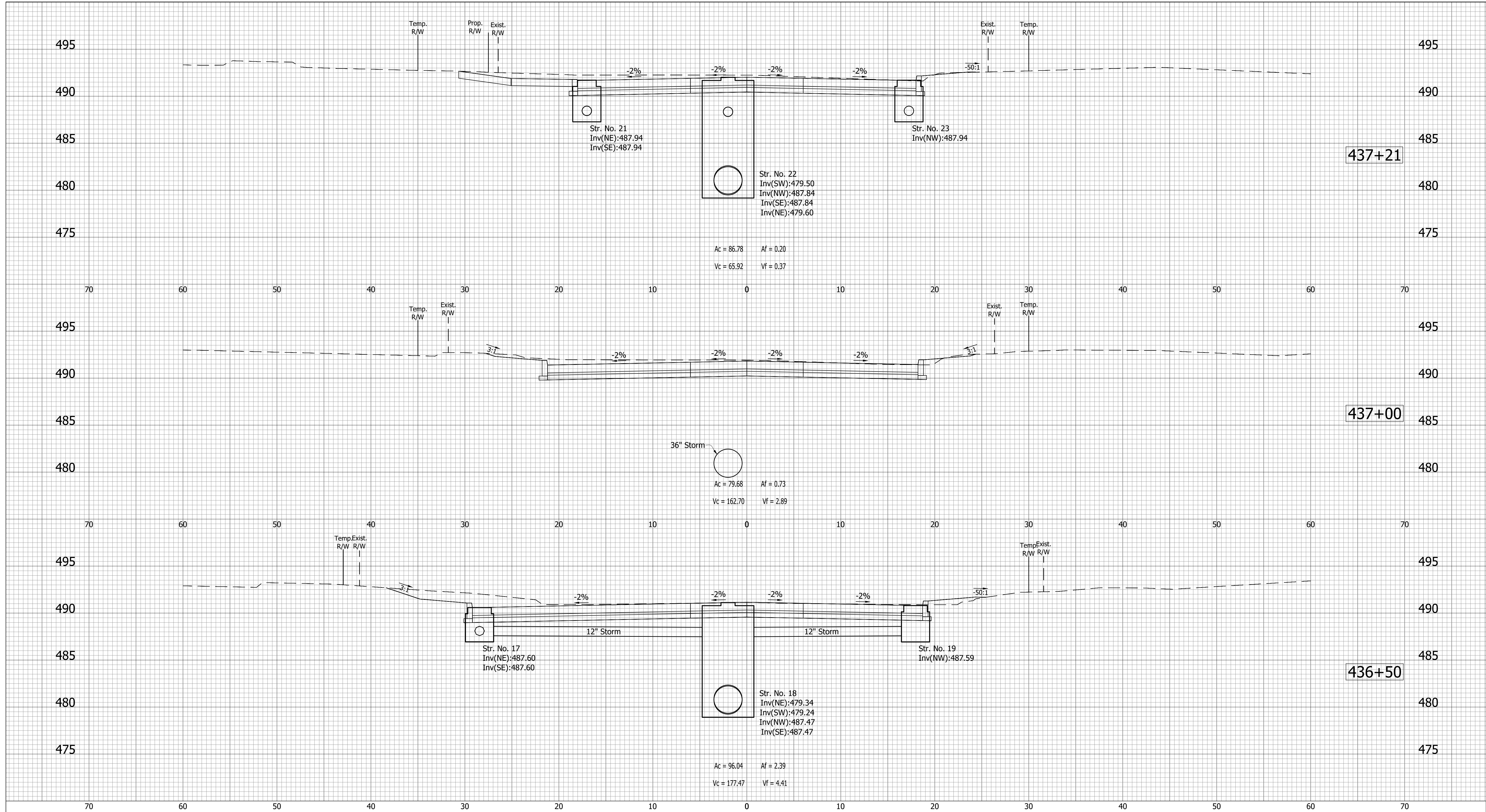
RECOMMENDED FOR APPROVAL	
DESIGN ENGINEER	DATE
DESIGNED: BWS	DRAWN: MRW
CHECKED: ACD	CHECKED: BWS

**INDIANA
DEPARTMENT OF TRANSPORTATION**

**CROSS SECTIONS
LINE "A"**

HORIZONTAL SCALE	BRIDGE FILE
VERTICAL SCALE	N/A
SURVEY BOOK	DESIGNATION
	1700111
CONTRACT	SHEETS
R-40412	114 of 152
	PROJECT
	1700111

DIRECTORY: C:\Users\mwarren\AppData\Local\Temp\AcPublish_51032\
 FILE:17-0199 Base Xsecs.dwg
 DIMSCALE: 1 LTSCALE:1
 PLOTTED BY: mwarren
 DATE:Sep 14, 2022 - 4:52pm



- (D) 6" PCCP for Approaches on Dense Graded Subbase on Subgrade Treatment, Type II
- (D1) 9" PCCP for Approaches on Geogrid, Type IB on Subgrade Treatment, Type II
- (F) Sidewalk, Concrete, 4"
- (K) Full Depth Pavement
- (K1) Full Depth Pavement, PCCP for Approaches
- (R) 165#/SYS QC/QA-HMA, 2, 70, Surface, 9.5mm on Asphalt Milling, 1.5 in.
- (R1) 165#/SYS HMA For Approaches, Type D on Asphalt Milling, 1.5 in.
- (S) Subgrade Treatment, Type XX
- (U) Underdrain
- (DW) Detectable Warning Surface
- (R) Concrete Curb Ramp
- (O) Compacted Aggregate
- (15) Curb
- (16) Center Curb
- (26) Sodding

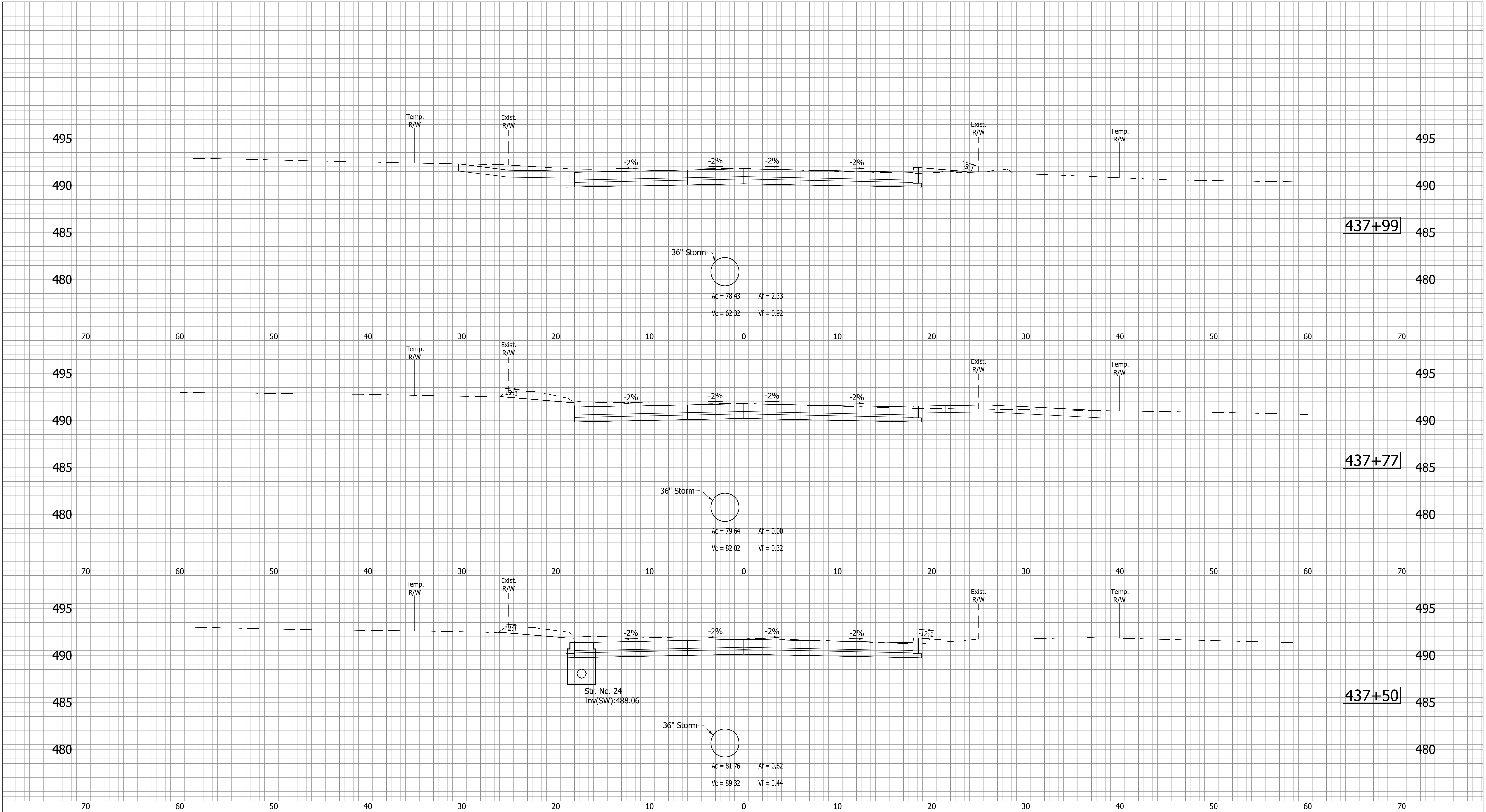
RECOMMENDED FOR APPROVAL	DESIGN ENGINEER _____ DATE _____
DESIGNED: BWS	DRAWN: MRW
CHECKED: ACD	CHECKED: BWS

**INDIANA
DEPARTMENT OF TRANSPORTATION**

**CROSS SECTIONS
LINE "A"**

HORIZONTAL SCALE	BRIDGE FILE
VERTICAL SCALE	N/A
SURVEY BOOK	DESIGNATION 1700111
CONTRACT R-40412	SHEETS 115 of 152 PROJECT 1700111

DIRECTORY: C:\Users\mwarren\AppData\Local\Temp\AcPublish_51032\
 FILE:17-0199 Base Xsecs.dwg
 DIMSCALE: 1 LTSCALE:1
 PLOTTED BY: mwarren
 DATE:Sep 14, 2022 - 4:52pm



- (D) 6" PCCP for Approaches on Dense Graded Subbase on Subgrade Treatment, Type II
- (D1) 9" PCCP for Approaches on Dense Graded Subbase on Geogrid, Type IB on Subgrade Treatment, Type II
- (F) Sidewalk, Concrete, 4"
- (K) Full Depth Pavement
- (K1) Full Depth Pavement, PCCP for Approaches
- (R) 165#/SYS QC/QA-HMA, 2, 70, Surface, 9.5mm on Asphalt Milling, 1.5 in.
- (R1) 165#/SYS HMA For Approaches, Type D on Asphalt Milling, 1.5 in.
- (S) Subgrade Treatment, Type XX
- (U) Underdrain
- (DW) Detectable Warning Surface
- (R) Concrete Curb Ramp
- (O) Compacted Aggregate
- (15) Curb
- (16) Center Curb
- (26) Sodding

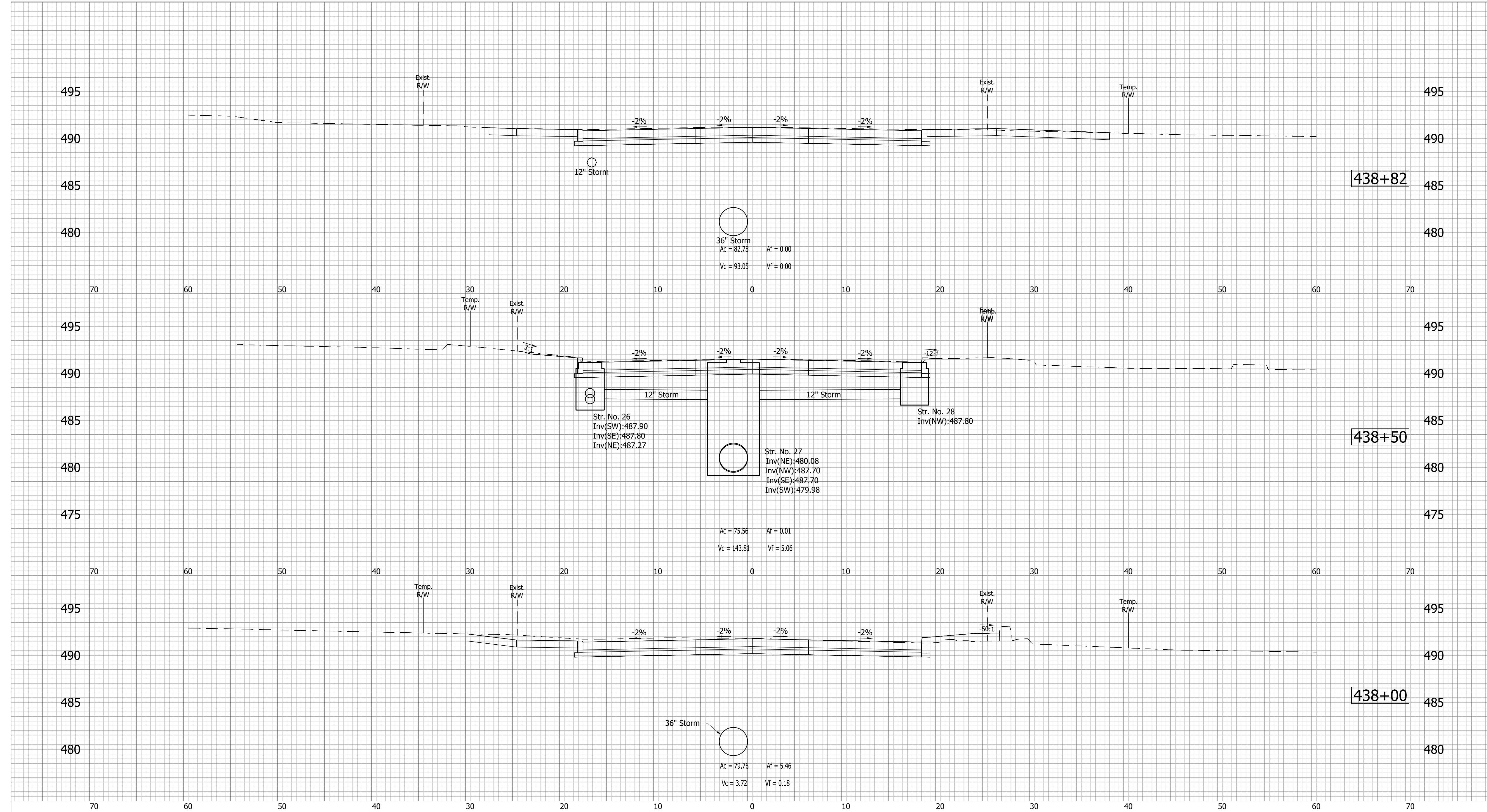
RECOMMENDED FOR APPROVAL		DESIGN ENGINEER		DATE	
DESIGNED:	BWS	DRAWN:	MRW		
CHECKED:	ACD	CHECKED:	BWS		

INDIANA
DEPARTMENT OF TRANSPORTATION

CROSS SECTIONS
LINE "A"

HORIZONTAL SCALE	BRIDGE FILE
VERTICAL SCALE	N/A
	DESIGNATION
	1700111
SURVEY BOOK	SHEETS
	116 of 152
CONTRACT	PROJECT
R-40412	1700111

DIRECTORY: C:\Users\mwarren\AppData\Local\Temp\AcPublish_51032\
 FILE:17-0199 Base Xsecs.dwg
 DIMSCALE: 1 LTSCALE:1
 PLOTTED BY: mwarren
 DATE:Sep 14, 2022 - 4:52pm



- (D) 6" PCCP for Approaches on Dense Graded Subbase on Subgrade Treatment, Type II
- (DI) 9" PCCP for Approaches on Dense Graded Subbase on Geogrid, Type IB on Subgrade Treatment, Type II
- (F) Sidewalk, Concrete, 4"
- (K) Full Depth Pavement
- (K1) Full Depth Pavement, PCCP for Approaches
- (R) 165#/SYS QC/QA-HMA, 2, 70, Surface, 9.5mm on Asphalt Milling, 1.5 in.
- (R1) 165#/SYS HMA For Approaches, Type D on Asphalt Milling, 1.5 in.
- (S) Subgrade Treatment, Type XX
- (U) Underdrain
- (DW) Detectable Warning Surface
- (R) Concrete Curb Ramp
- (O) Compacted Aggregate
- (15) Curb
- (16) Center Curb
- (26) Sodding

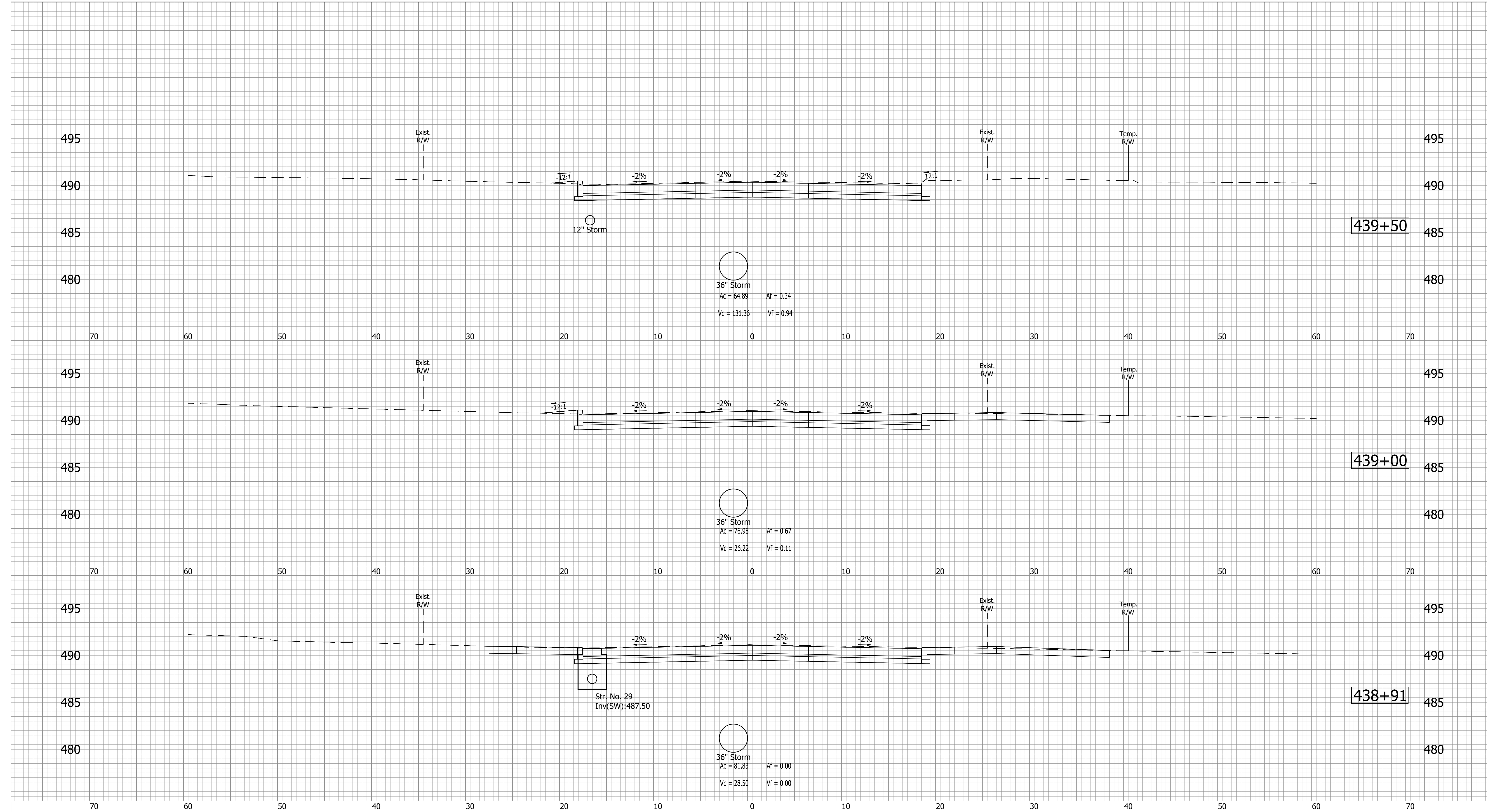
RECOMMENDED FOR APPROVAL	
DESIGN ENGINEER	DATE
DESIGNED: BWS	DRAWN: MRW
CHECKED: ACD	CHECKED: BWS

INDIANA
DEPARTMENT OF TRANSPORTATION

CROSS SECTIONS
LINE "A"

HORIZONTAL SCALE	BRIDGE FILE
VERTICAL SCALE	N/A
SURVEY BOOK	DESIGNATION
	1700111
CONTRACT	SHEETS
R-40412	117 of 152
	PROJECT
	1700111

DIRECTORY: C:\Users\mwarren\AppData\Local\Temp\AcPublish_51032\
 FILE:17-0199 Base Xsecs.dwg
 DIMSCALE: 1/16"=1'
 PLOTTED BY: mwarren
 DATE: Sep 14, 2022 - 4:52pm



- (D) 6" PCCP for Approaches on Dense Graded Subbase on Subgrade Treatment, Type II
- (D1) 9" PCCP for Approaches on Dense Graded Subbase on Geogrid, Type IB on Subgrade Treatment, Type II
- (F) Sidewalk, Concrete, 4"
- (K) Full Depth Pavement
- (K1) Full Depth Pavement, PCCP for Approaches
- (R) 165#/SYS QC/QA-HMA, 2, 70, Surface, 9.5mm on Asphalt Milling, 1.5 in.
- (R1) 165#/SYS HMA For Approaches, Type D on Asphalt Milling, 1.5 in.
- (S) Subgrade Treatment, Type XX
- (U) Underdrain
- (DW) Detectable Warning Surface
- (R) Concrete Curb Ramp
- (O) Compacted Aggregate
- (15) Curb
- (16) Center Curb
- (26) Sodding

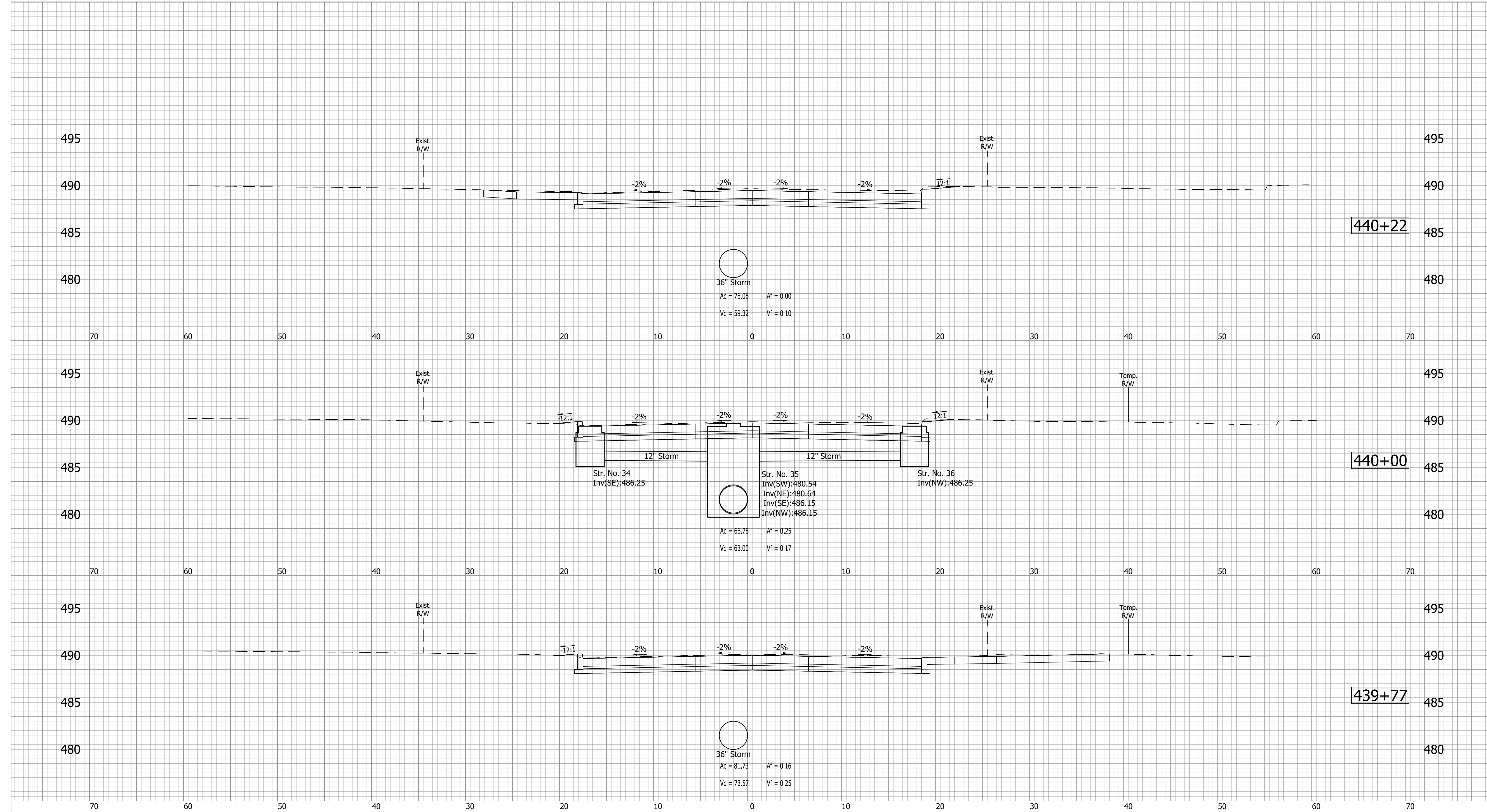
RECOMMENDED FOR APPROVAL	
DESIGN ENGINEER	DATE
DESIGNED: BWS	DRAWN: MRW
CHECKED: ACD	CHECKED: BWS

INDIANA
DEPARTMENT OF TRANSPORTATION

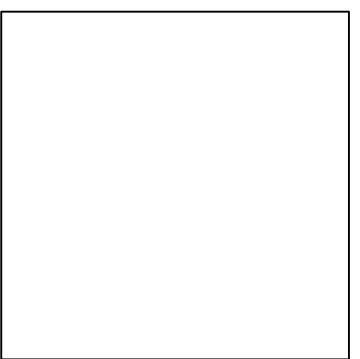
CROSS SECTIONS
LINE "A"

HORIZONTAL SCALE	BRIDGE FILE
VERTICAL SCALE	N/A
SURVEY BOOK	DESIGNATION
	1700111
CONTRACT	SHEETS
R-40412	118 of 152
	PROJECT
	1700111

DIRECTORY: C:\Users\mwarren\AppData\Local\Temp\AcPublish_510321
 FILE:17-0199 Base Xsecs.dwg
 DIMSCALE: 1 LTSCALE:1
 PLOTTED BY: mwarren
 DATE:Sep 14, 2022 - 4:53pm



- (D) 6" PCCP for Approaches on Dense Graded Subbase on Subgrade Treatment, Type II
- (DI) 9" PCCP for Approaches on Dense Graded Subbase on Geogrid, Type IB on Subgrade Treatment, Type II
- (F) Sidewalk, Concrete, 4"
- (K) Full Depth Pavement
- (K1) Full Depth Pavement, PCCP for Approaches
- (R) 165#/SYS QC/QA-HMA, 2, 70, Surface, 9.5mm on Asphalt Milling, 1.5 in.
- (R1) 165#/SYS HMA For Approaches, Type D on Asphalt Milling, 1.5 in.
- (S) Subgrade Treatment, Type XX
- (U) Underdrain
- (DW) Detectable Warning Surface
- (R) Concrete Curb Ramp
- (O) Compacted Aggregate
- (15) Curb
- (16) Center Curb
- (26) Sodding



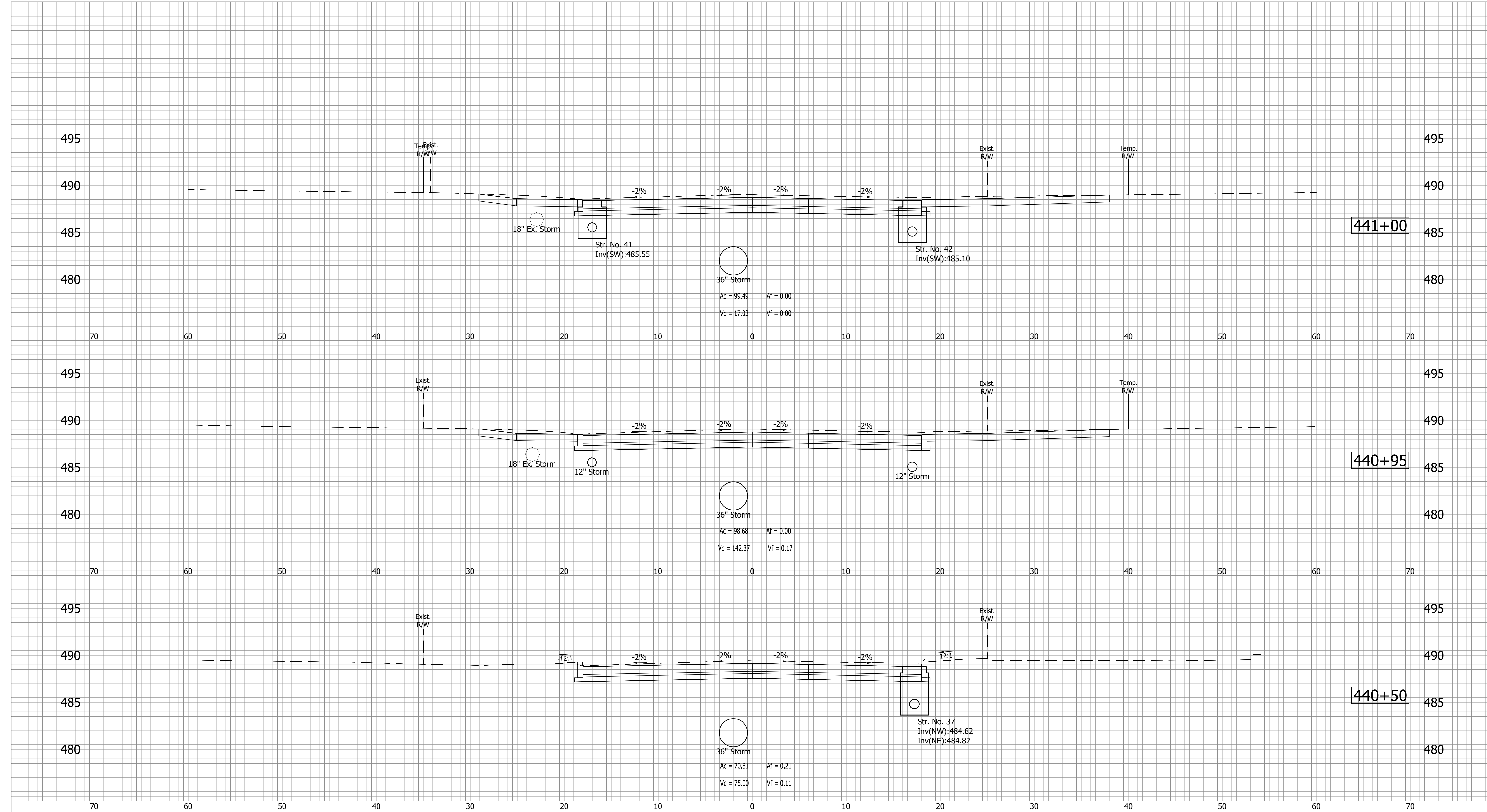
RECOMMENDED FOR APPROVAL		DESIGN ENGINEER		DATE	
DESIGNED:	BWS	DRAWN:	MRW		
CHECKED:	ACD	CHECKED:	BWS		

INDIANA
DEPARTMENT OF TRANSPORTATION

CROSS SECTIONS
LINE "A"

HORIZONTAL SCALE	BRIDGE FILE
VERTICAL SCALE	N/A
	DESIGNATION
	1700111
SURVEY BOOK	SHEETS
	119 of 152
CONTRACT	PROJECT
R-40412	1700111

DIRECTORY: C:\Users\mwarren\AppData\Local\Temp\AcPublish_510321
 FILE:17-0199 Base Xsecs.dwg
 DIMSCALE: 1 LTSCALE:1
 PLOTTED BY: mwarren
 DATE:Sep 14, 2022 - 4:53pm



- (D) 6" PCCP for Approaches on Dense Graded Subbase on Subgrade Treatment, Type II
- (D1) 9" PCCP for Approaches on Dense Graded Subbase on Geogrid, Type IB on Subgrade Treatment, Type II
- (F) Sidewalk, Concrete, 4"
- (K) Full Depth Pavement
- (K1) Full Depth Pavement, PCCP for Approaches
- (R) 165#/SYS QC/QA-HMA, 2, 70, Surface, 9.5mm on Asphalt Milling, 1.5 in.
- (R1) 165#/SYS HMA For Approaches, Type D on Asphalt Milling, 1.5 in.
- (S) Subgrade Treatment, Type XX
- (U) Underdrain
- (DW) Detectable Warning Surface
- (R) Concrete Curb Ramp
- (O) Compacted Aggregate
- (15) Curb
- (16) Center Curb
- (26) Sodding

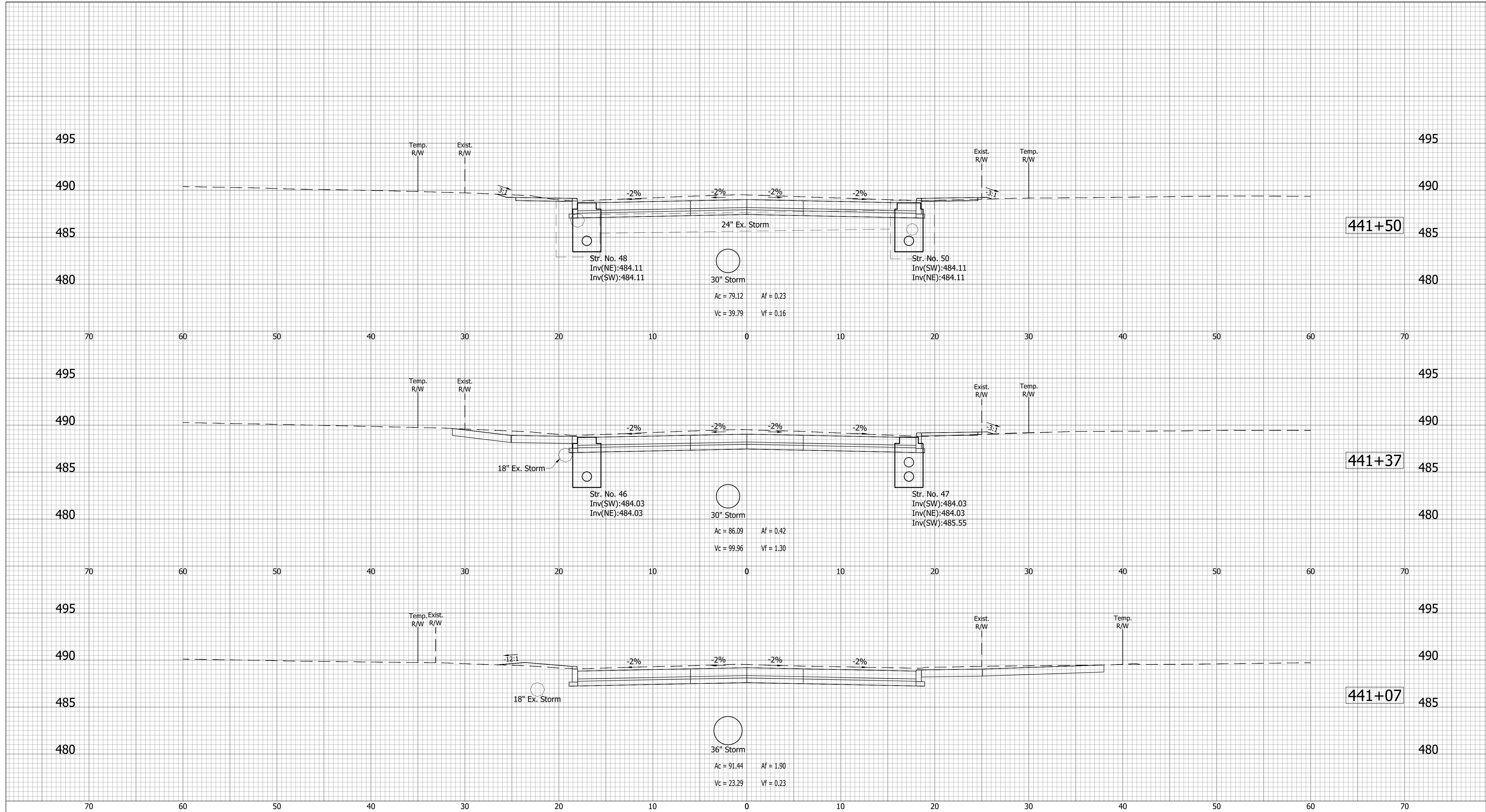
RECOMMENDED FOR APPROVAL _____ DESIGN ENGINEER DATE	DESIGNED: BWS CHECKED: ACD
DRAWN: MRW CHECKED: BWS	DATE

INDIANA
 DEPARTMENT OF TRANSPORTATION

 CROSS SECTIONS
 LINE "A"

HORIZONTAL SCALE	BRIDGE FILE
VERTICAL SCALE	N/A
SURVEY BOOK	DESIGNATION
CONTRACT	1700111
R-40412	120 of 152
	PROJECT
	1700111

DIRECTORY: C:\Users\mwarren\AppData\Local\Temp\AcPublish_51032\
 FILE:17-0199 Base Xsecs.dwg
 DIMSCALE: 1/16" = 1' LTSCALE:1
 PLOTTED BY: mwarren
 DATE:Sep 14, 2022 - 4:53pm



- (D) 6" PCCP for Approaches on Dense Graded Subbase on Subgrade Treatment, Type II
- (DI) 9" PCCP for Approaches on Geogrid, Type IB on Subgrade Treatment, Type II
- (F) Sidewalk, Concrete, 4"
- (K) Full Depth Pavement
- (K1) Full Depth Pavement, PCCP for Approaches
- (R) 165#/SYS QC/QA-HMA, 2, 70, Surface, 9.5mm on Asphalt Milling, 1.5 in.
- (R1) 165#/SYS HMA For Approaches, Type D on Asphalt Milling, 1.5 in.
- (S) Subgrade Treatment, Type XX
- (U) Underdrain
- (DW) Detectable Warning Surface
- (R) Concrete Curb Ramp
- (O) Compacted Aggregate
- (15) Curb
- (16) Center Curb
- (26) Sodding

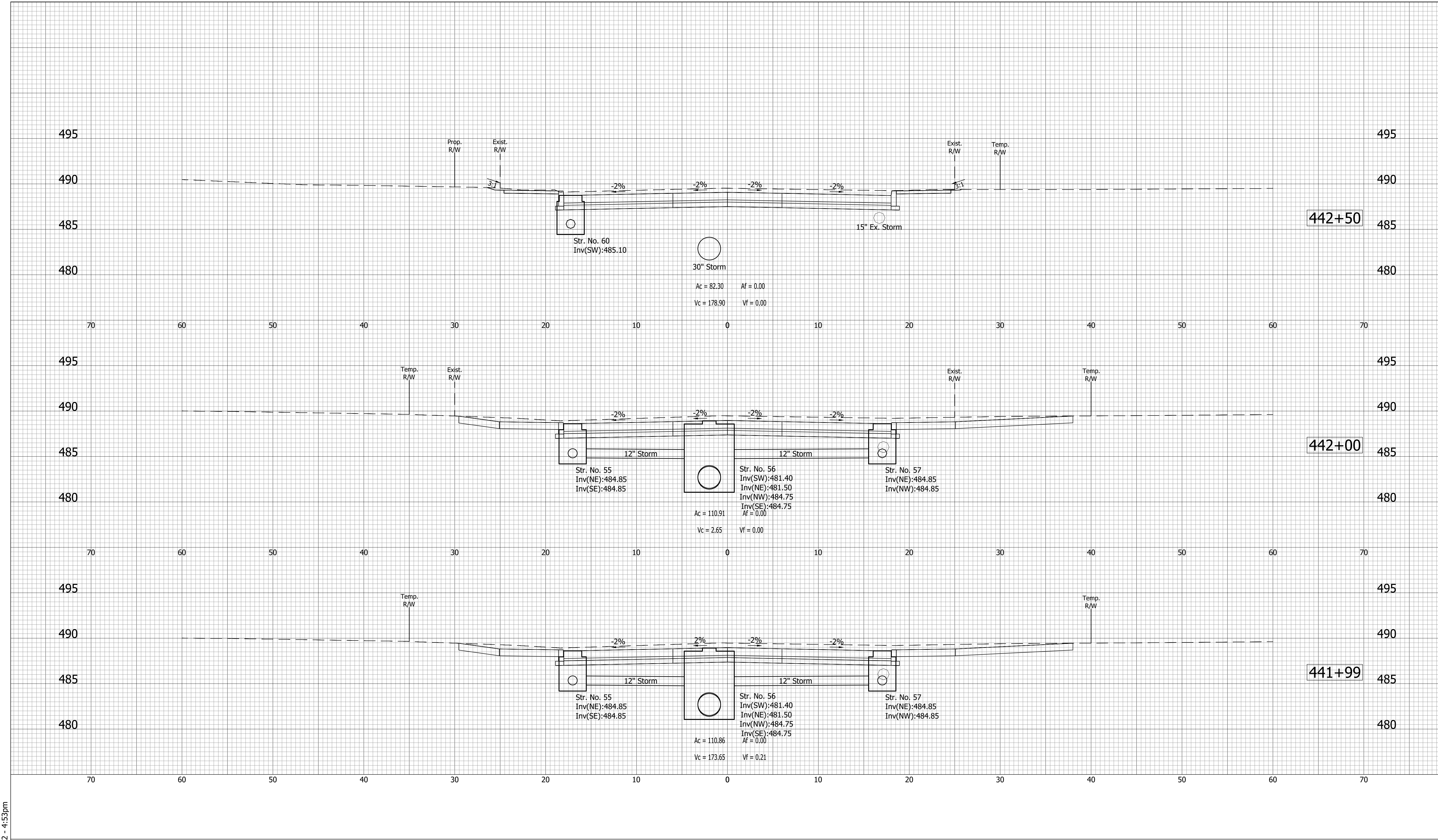
RECOMMENDED FOR APPROVAL _____ DESIGN ENGINEER _____ DATE _____	DESIGNED: BWS DRAWN: MRW CHECKED: ACD CHECKED: BWS
--	---

INDIANA
 DEPARTMENT OF TRANSPORTATION

 CROSS SECTIONS
 LINE "A"

HORIZONTAL SCALE	BRIDGE FILE
VERTICAL SCALE	N/A
SURVEY BOOK	DESIGNATION
CONTRACT	1700111
R-40412	SHEETS
	121 of 152
	PROJECT
	1700111

DIRECTORY: C:\Users\mwarren\AppData\Local\Temp\AcPublish_510321
 FILE:17-0199 Base Xsecs.dwg
 DIMSCALE: 1/16 LTSCALE:1
 PLOTTED BY: mwarren
 DATE:Sep 14, 2022 - 4:53pm



- (D) 6" PCCP for Approaches on Dense Graded Subbase on Subgrade Treatment, Type II
- (D1) 9" PCCP for Approaches on Dense Graded Subbase on Geogrid, Type IB on Subgrade Treatment, Type II
- (F) Sidewalk, Concrete, 4"
- (K) Full Depth Pavement
- (K1) Full Depth Pavement, PCCP for Approaches
- (R) 165#/SYS QC/QA-HMA, 2, 70, Surface, 9.5mm on Asphalt Milling, 1.5 in.
- (R1) 165#/SYS HMA For Approaches, Type D on Asphalt Milling, 1.5 in.
- (S) Subgrade Treatment, Type XX
- (U) Underdrain

- (DW) Detectable Warning Surface
- (R) Concrete Curb Ramp
- (O) Compacted Aggregate
- (15) Curb
- (16) Center Curb
- (26) Sodding

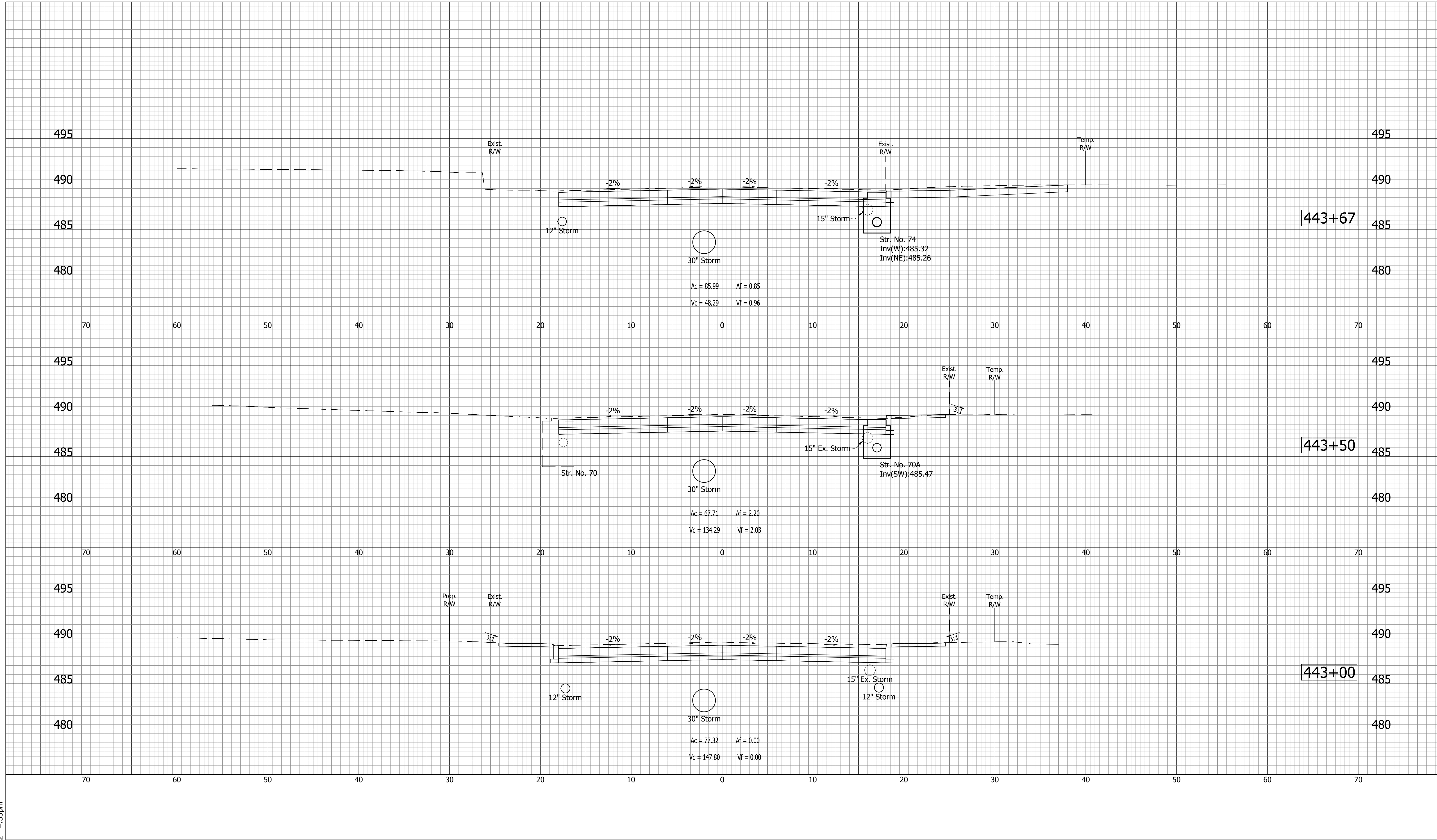
RECOMMENDED FOR APPROVAL	
DESIGN ENGINEER	DATE
DESIGNED: BWS	DRAWN: MRW
CHECKED: ACD	CHECKED: BWS

**INDIANA
DEPARTMENT OF TRANSPORTATION**

**CROSS SECTIONS
LINE "A"**

HORIZONTAL SCALE	BRIDGE FILE
VERTICAL SCALE	N/A
SURVEY BOOK	DESIGNATION
CONTRACT R-40412	1700111
	SHEETS
	122 of 152
	PROJECT
	1700111

DIRECTORY: C:\Users\mwarren\AppData\Local\Temp\AcPublish_510321
 FILE: 17-0199 Base Xsecs.dwg
 DIMSCALE: 1/8"=1'-0"
 PLOTTED BY: mwarren
 DATE: Sep 14, 2022 - 4:53pm



- (D) 6" PCCP for Approaches on Dense Graded Subbase on Subgrade Treatment, Type II
- (D1) 9" PCCP for Approaches on Geogrid, Type IB on Subgrade Treatment, Type II
- (F) Sidewalk, Concrete, 4"
- (K) Full Depth Pavement
- (K1) Full Depth Pavement, PCCP for Approaches
- (R) 165#/SYS QC/QA-HMA, 2, 70, Surface, 9.5mm on Asphalt Milling, 1.5 in.
- (R1) 165#/SYS HMA For Approaches, Type D on Asphalt Milling, 1.5 in.
- (S) Subgrade Treatment, Type XX
- (U) Underdrain
- (DW) Detectable Warning Surface
- (R) Concrete Curb Ramp
- (O) Compacted Aggregate
- (15) Curb
- (16) Center Curb
- (26) Sodding

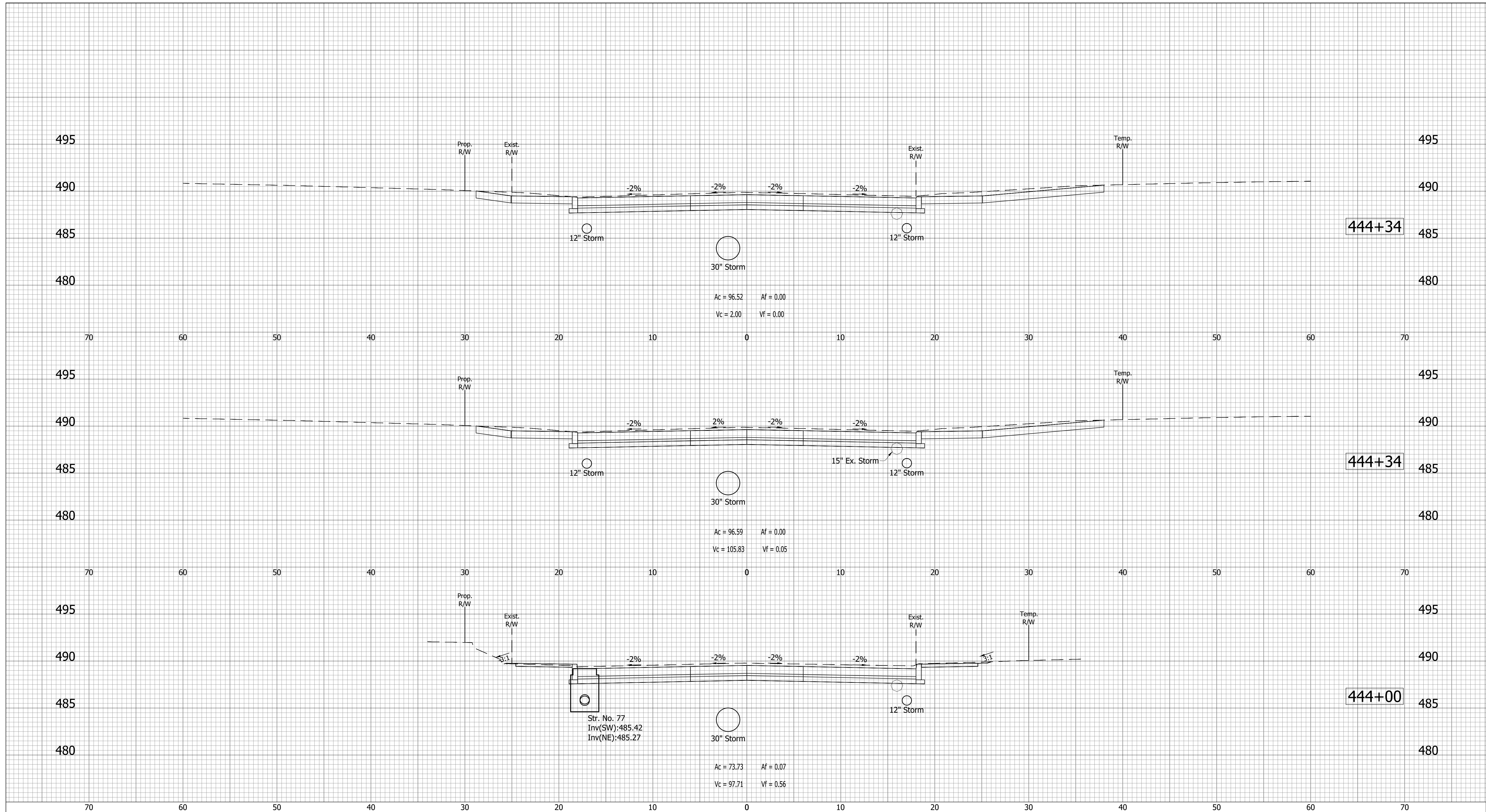
RECOMMENDED FOR APPROVAL	
DESIGN ENGINEER	DATE
DESIGNED: BWS	DRAWN: MRW
CHECKED: ACD	CHECKED: BWS

INDIANA
DEPARTMENT OF TRANSPORTATION

CROSS SECTIONS
LINE "A"

HORIZONTAL SCALE	BRIDGE FILE
VERTICAL SCALE	N/A
SURVEY BOOK	DESIGNATION
	1700111
CONTRACT	SHEETS
R-40412	123 of 152
	PROJECT
	1700111

DIRECTORY: C:\Users\mwarren\AppData\Local\Temp\AcPublish_510321
 FILE:17-0199 Base Xsecs.dwg
 DIMSCALE: 1 LTSCALE:1
 PLOTTED BY: mwarren
 DATE:Sep 14, 2022 - 4:53pm



- (D) 6" PCCP for Approaches on Dense Graded Subbase on Subgrade Treatment, Type II
- (K) Full Depth Pavement
- (R) 165#/SYS QC/QA-HMA, 2, 70, Surface, 9.5mm on Asphalt Milling, 1.5 in.
- (DW) Detectable Warning Surface
- (15) Curb
- (D1) 9" PCCP for Approaches on Dense Graded Subbase on Geogrid, Type IB on Subgrade Treatment, Type II
- (K1) Full Depth Pavement, PCCP for Approaches
- (R1) 165#/SYS HMA For Approaches, Type D on Asphalt Milling, 1.5 in.
- (R) Concrete Curb Ramp
- (16) Center Curb
- (S) Subgrade Treatment, Type XX
- (O) Compacted Aggregate
- (26) Sodding
- (F) Sidewalk, Concrete, 4"
- (U) Underdrain

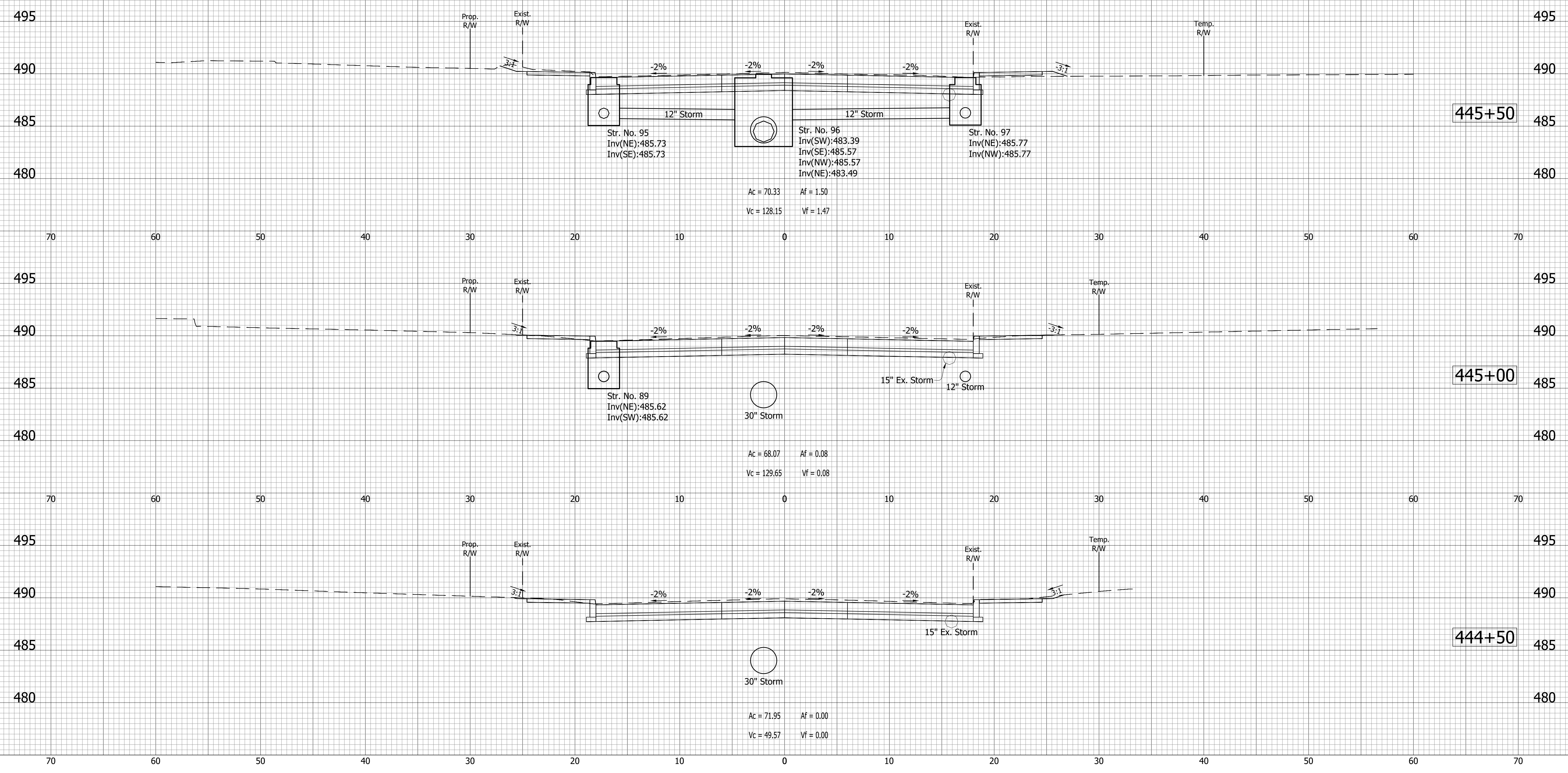
RECOMMENDED FOR APPROVAL _____ DESIGN ENGINEER	_____ DATE
DESIGNED: BWS	DRAWN: MRW
CHECKED: ACD	CHECKED: BWS

**INDIANA
DEPARTMENT OF TRANSPORTATION**

**CROSS SECTIONS
LINE "A"**

HORIZONTAL SCALE	BRIDGE FILE
VERTICAL SCALE	N/A
SURVEY BOOK	DESIGNATION
CONTRACT	1700111
R-40412	SHEETS
	124 of 152
	PROJECT
	1700111

DIRECTORY: C:\Users\mwarren\AppData\Local\Temp\AcPublish_51032\
 FILE: 17-0199 Base Xsecs.dwg
 DIMSCALE: 1/8" = 1' LTSCALE: 1/8" = 1'
 PLOTTED BY: mwarren
 DATE: Sep 14, 2022 - 4:54pm



- (D) 6" PCCP for Approaches on Dense Graded Subbase on Subgrade Treatment, Type II
- (D1) 9" PCCP for Approaches on Dense Graded Subbase on Geogrid, Type IB on Subgrade Treatment, Type II
- (F) Sidewalk, Concrete, 4"
- (K) Full Depth Pavement
- (K1) Full Depth Pavement, PCCP for Approaches
- (R) 165#/SYS QC/QA-HMA, 2, 70, Surface, 9.5mm on Asphalt Milling, 1.5 in.
- (R1) 165#/SYS HMA For Approaches, Type D on Asphalt Milling, 1.5 in.
- (S) Subgrade Treatment, Type XX
- (U) Underdrain
- (DW) Detectable Warning Surface
- (R) Concrete Curb Ramp
- (O) Compacted Aggregate
- (15) Curb
- (16) Center Curb
- (26) Sodding

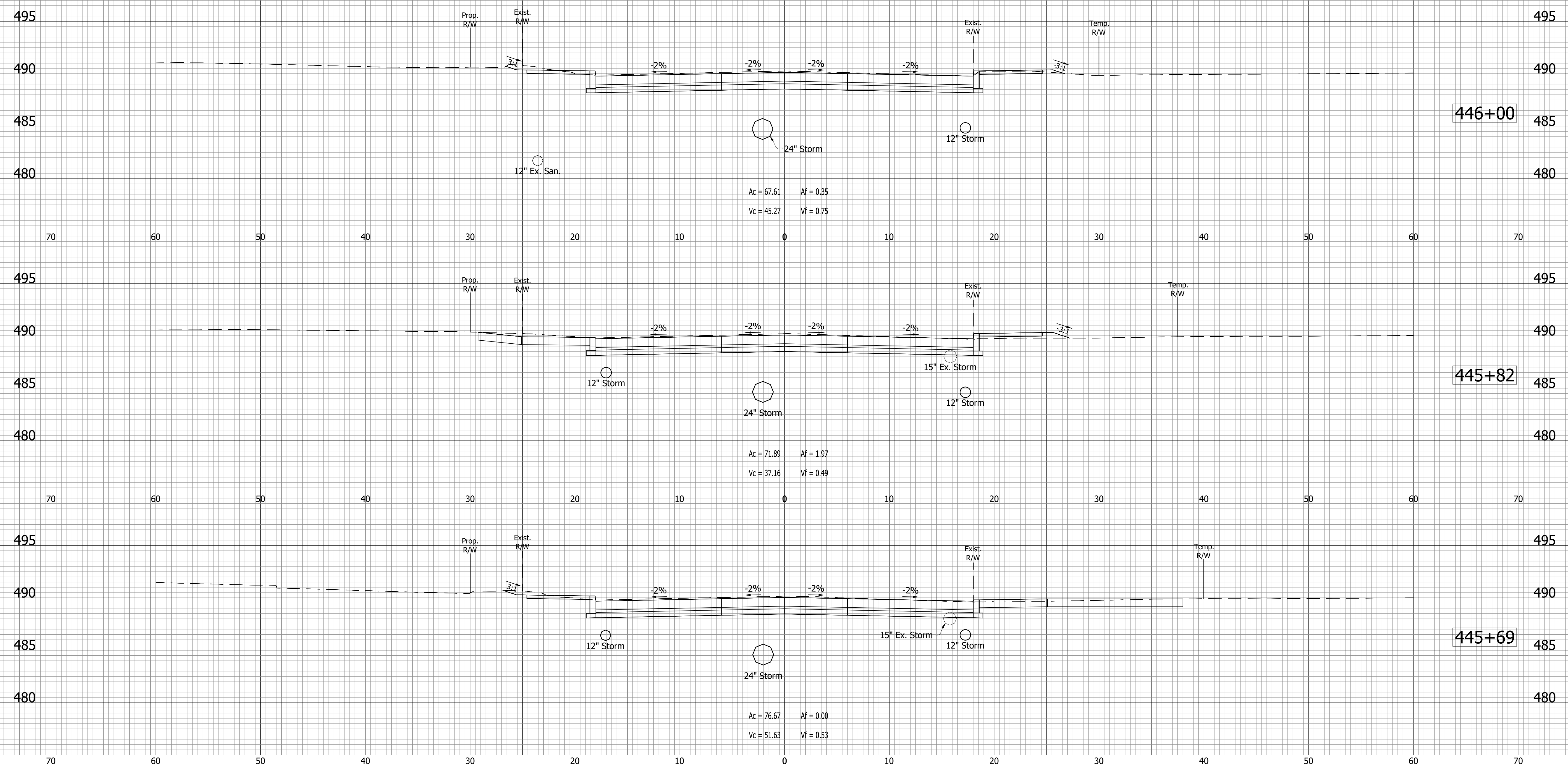
RECOMMENDED FOR APPROVAL		DESIGN ENGINEER		DATE	
DESIGNED:	BWS	DRAWN:	MRW		
CHECKED:	ACD	CHECKED:	BWS		

INDIANA
DEPARTMENT OF TRANSPORTATION

CROSS SECTIONS
LINE "A"

HORIZONTAL SCALE	BRIDGE FILE
VERTICAL SCALE	N/A
	DESIGNATION
	1700111
SURVEY BOOK	SHEETS
	125 of 152
CONTRACT	PROJECT
R-40412	1700111

DIRECTORY: C:\Users\imwarren\AppData\Local\Temp\AcPublish_510321
 FILE:17-0199 Base Xsecs.dwg
 DIMSCALE: 1/8" = 1'-0"
 PLOTTED BY: imwarren
 DATE: Sep 14, 2022 - 4:54pm



- (D) 6" PCCP for Approaches on Dense Graded Subbase on Subgrade Treatment, Type II
- (D1) 9" PCCP for Approaches on Dense Graded Subbase on Geogrid, Type IB on Subgrade Treatment, Type II
- (F) Sidewalk, Concrete, 4"
- (K) Full Depth Pavement
- (K1) Full Depth Pavement, PCCP for Approaches
- (R) 165#/SYS QC/QA-HMA, 2, 70, Surface, 9.5mm on Asphalt Milling, 1.5 in.
- (R1) 165#/SYS HMA For Approaches, Type D on Asphalt Milling, 1.5 in.
- (S) Subgrade Treatment, Type XX
- (U) Underdrain
- (DW) Detectable Warning Surface
- (R) Concrete Curb Ramp
- (O) Compacted Aggregate
- (15) Curb
- (16) Center Curb
- (26) Sodding

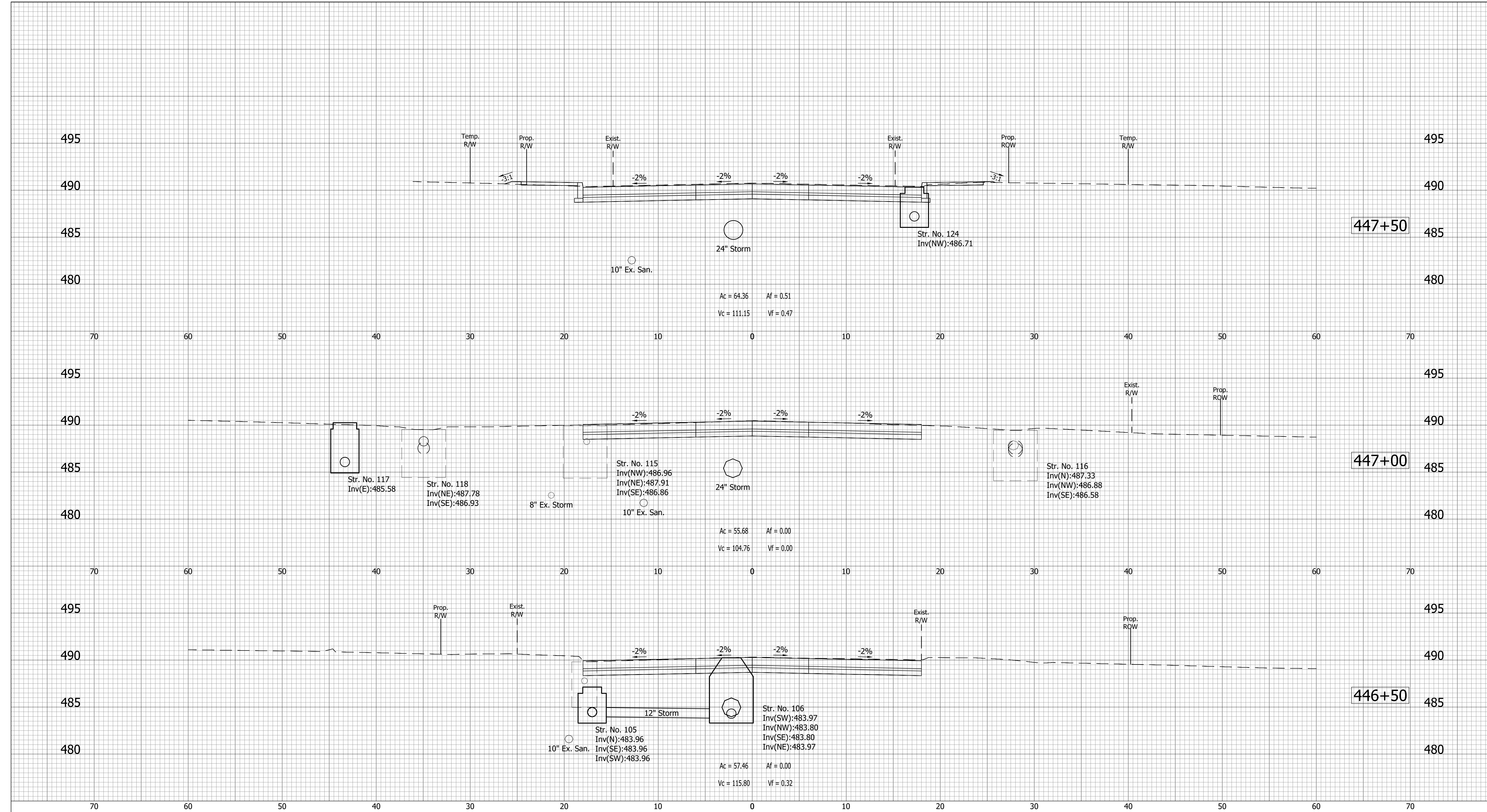
RECOMMENDED FOR APPROVAL	DESIGN ENGINEER _____ DATE _____
DESIGNED: BWS	DRAWN: MRW
CHECKED: ACD	CHECKED: BWS

**INDIANA
DEPARTMENT OF TRANSPORTATION**

**CROSS SECTIONS
LINE "A"**

HORIZONTAL SCALE	BRIDGE FILE
VERTICAL SCALE	N/A
SURVEY BOOK	DESIGNATION 1700111
CONTRACT R-40412	SHEETS 126 of 152 PROJECT 1700111

DIRECTORY: C:\Users\mwarren\AppData\Local\Temp\AcPublish_51032\
 FILE:17-0199 Base Xsecs.dwg
 DIMSCALE: 1/16 LTSCALE:1
 PLOTTED BY: mwarren
 DATE:Sep 14, 2022 - 4:54pm



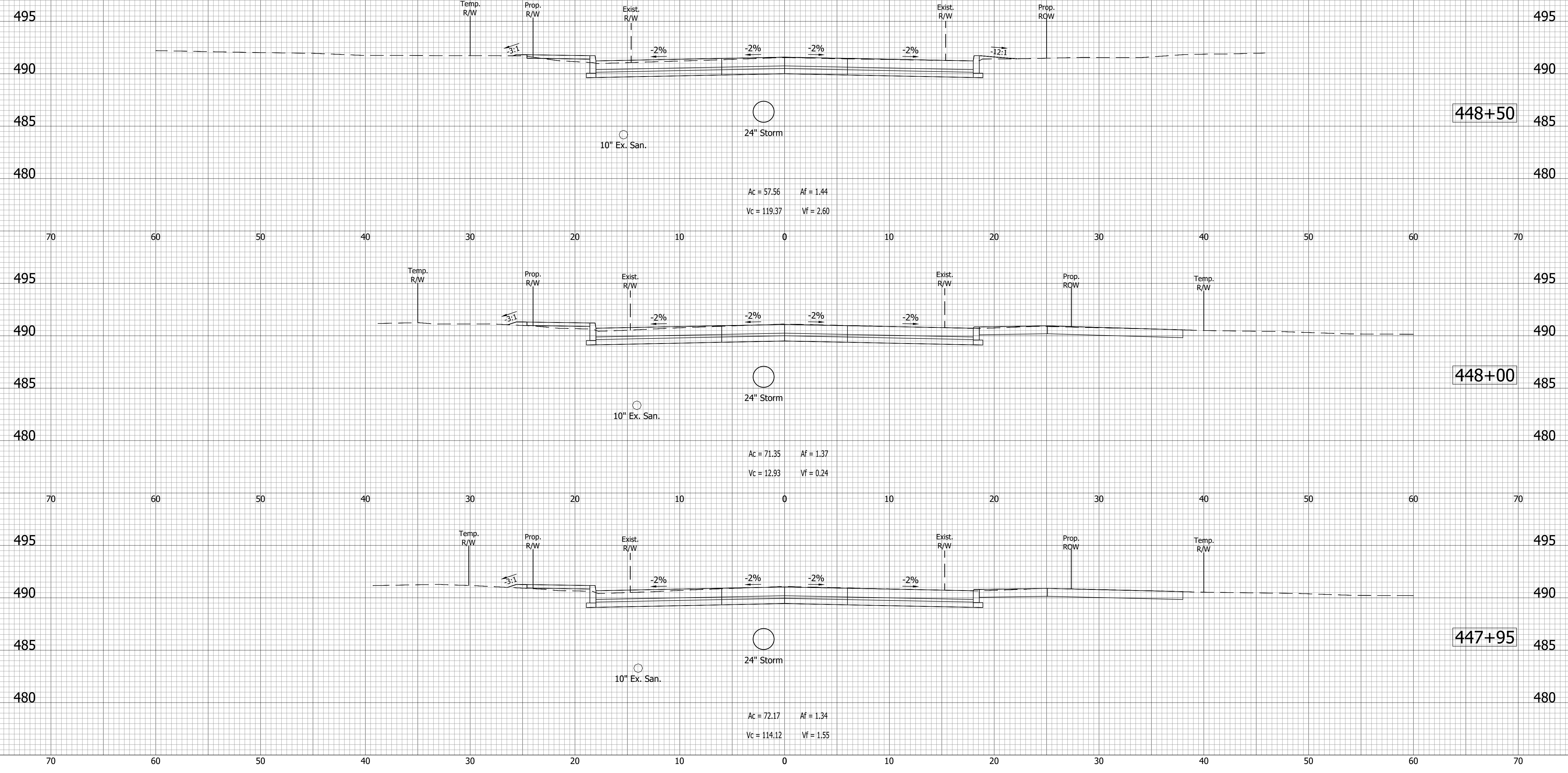
- (D) 6" PCCP for Approaches on Dense Graded Subbase on Subgrade Treatment, Type II
- (D1) 9" PCCP for Approaches on Dense Graded Subbase on Geogrid, Type IB on Subgrade Treatment, Type II
- (F) Sidewalk, Concrete, 4"
- (K) Full Depth Pavement
- (K1) Full Depth Pavement, PCCP for Approaches
- (R) 165#/SYS QC/QA-HMA, 2, 70, Surface, 9.5mm on Asphalt Milling, 1.5 in.
- (R1) 165#/SYS HMA For Approaches, Type D on Asphalt Milling, 1.5 in.
- (S) Subgrade Treatment, Type XX
- (U) Underdrain
- (DW) Detectable Warning Surface
- (R) Concrete Curb Ramp
- (O) Compacted Aggregate
- (15) Curb
- (16) Center Curb
- (26) Sodding

RECOMMENDED FOR APPROVAL _____ DESIGN ENGINEER _____ DATE _____	DESIGNED: BWS CHECKED: ACD
DRAWN: MRW CHECKED: BWS	Voids: Vc = 111.15, Vf = 0.47 Voids: Vc = 104.76, Vf = 0.00 Voids: Vc = 115.80, Vf = 0.32

INDIANA DEPARTMENT OF TRANSPORTATION
CROSS SECTIONS LINE "A"

HORIZONTAL SCALE	BRIDGE FILE
VERTICAL SCALE	N/A
SURVEY BOOK	DESIGNATION
CONTRACT R-40412	1700111
SHEETS	127 of 152
PROJECT	1700111

DIRECTORY: C:\Users\mwarren\AppData\Local\Temp\AcPublish_51032\
 FILE:17-0199 Base Xsecs.dwg
 DIMSCALE: 1 LTSCALE:1
 PLOTTED BY: mwarren
 DATE:Sep 14, 2022 - 4:54pm



- (D) 6" PCCP for Approaches on Dense Graded Subbase on Subgrade Treatment, Type II
- (D1) 9" PCCP for Approaches on Geogrid, Type IB on Subgrade Treatment, Type II
- (F) Sidewalk, Concrete, 4"
- (K) Full Depth Pavement
- (K1) Full Depth Pavement, PCCP for Approaches
- (R) 165#/SYS QC/QA-HMA, 2, 70, Surface, 9.5mm on Asphalt Milling, 1.5 in.
- (R1) 165#/SYS HMA For Approaches, Type D on Asphalt Milling, 1.5 in.
- (S) Subgrade Treatment, Type XX
- (U) Underdrain
- (DW) Detectable Warning Surface
- (R) Concrete Curb Ramp
- (O) Compacted Aggregate
- (15) Curb
- (16) Center Curb
- (26) Sodding

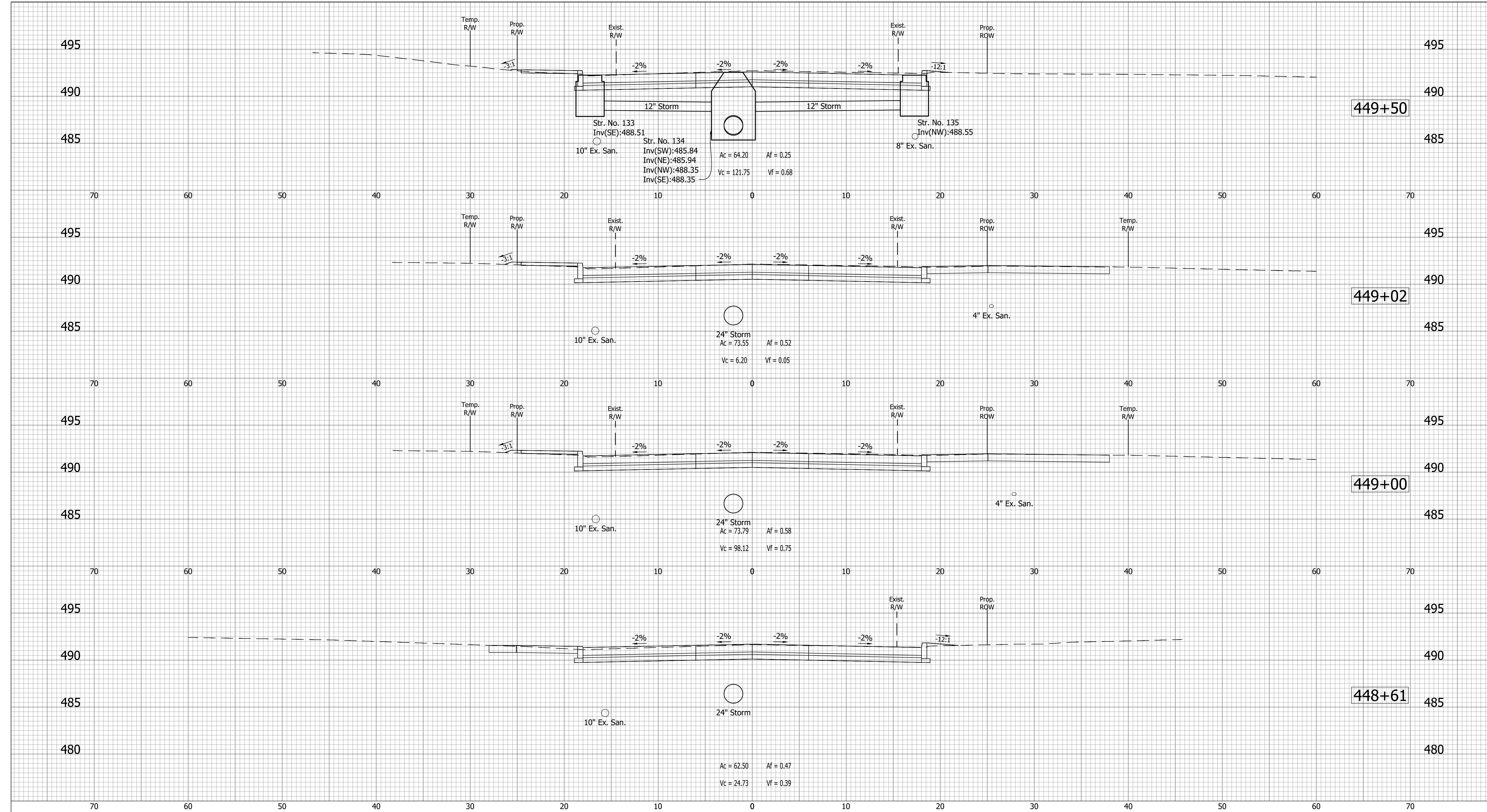
RECOMMENDED FOR APPROVAL _____ DESIGN ENGINEER DATE	DESIGNED: BWS DRAWN: MRW CHECKED: ACD CHECKED: BWS
--	---

INDIANA
 DEPARTMENT OF TRANSPORTATION

 CROSS SECTIONS
 LINE "A"

HORIZONTAL SCALE	BRIDGE FILE
VERTICAL SCALE	N/A
SURVEY BOOK	DESIGNATION
	1700111
CONTRACT	SHEETS
R-40412	128 of 152
	PROJECT
	1700111

DIRECTORY: C:\Users\mwarren\AppData\Local\Temp\AcPublish_51032\
 FILE:17-0199 Base Xsecs.dwg
 DIMSCALE: 1 LTSCALE:1
 PLOTTED BY: mwarren
 DATE:Sep 14, 2022 - 4:54pm



- (D) 6" PCCP for Approaches on Dense Graded Subbase on Subgrade Treatment, Type II
- (D1) 9" PCCP for Approaches on Dense Graded Subbase on Geogrid, Type IB on Subgrade Treatment, Type II
- (F) Sidewalk, Concrete, 4"
- (K) Full Depth Pavement
- (K1) Full Depth Pavement, PCCP for Approaches
- (R) 165#/SYS QC/QA-HMA, 2, 70, Surface, 9.5mm on Asphalt Milling, 1.5 in.
- (R1) 165#/SYS HMA For Approaches, Type D on Asphalt Milling, 1.5 in.
- (S) Subgrade Treatment, Type XX
- (U) Underdrain
- (DW) Detectable Warning Surface
- (R) Concrete Curb Ramp
- (O) Compacted Aggregate
- (15) Curb
- (16) Center Curb
- (26) Sodding

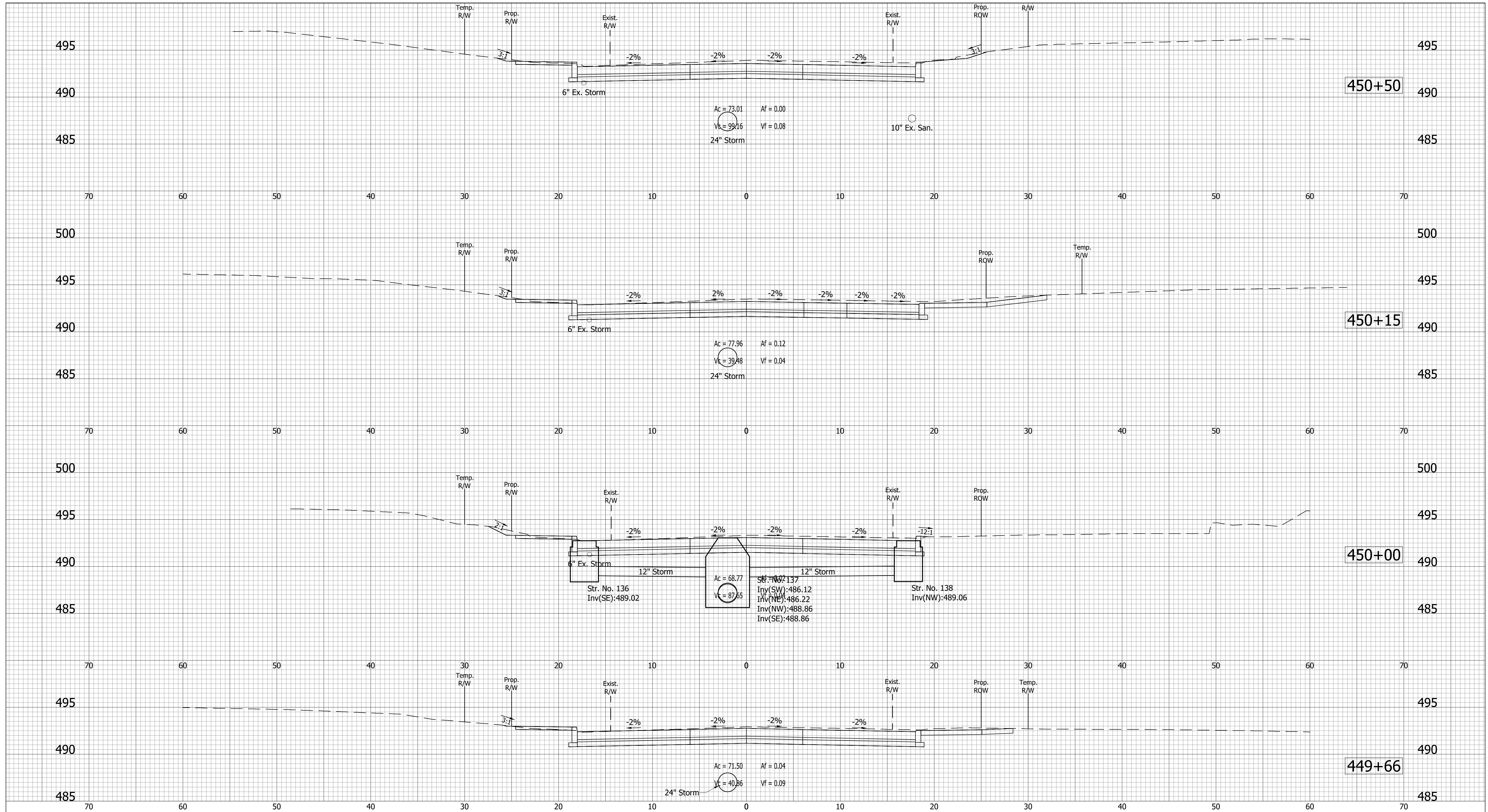
RECOMMENDED FOR APPROVAL _____ DESIGN ENGINEER DATE	DESIGNED: BWS DRAWN: MRW CHECKED: ACD CHECKED: BWS
--	---

INDIANA DEPARTMENT OF TRANSPORTATION

CROSS SECTIONS LINE "A"

HORIZONTAL SCALE	BRIDGE FILE
VERTICAL SCALE	N/A
SURVEY BOOK	DESIGNATION
CONTRACT R-40412	1700111
	SHEETS
	129 of 152
	PROJECT
	1700111

DIRECTORY: ...\\swa.local\files\Projects\Project Files\2017-0199\CADD\Design (Base)\
 FILE: ...17-0199 Base Xsecs.dwg
 DIMSCALE: 1/8"=1'-0"
 PLOTTED BY: mwarren
 DATE: Sep 14, 2022 - 5:03pm



- (D) 6" PCCP for Approaches on Dense Graded Subbase on Subgrade Treatment, Type II
- (D1) 9" PCCP for Approaches on Dense Graded Subbase on Geogrid, Type IB on Subgrade Treatment, Type II
- (F) Sidewalk, Concrete, 4"
- (K) Full Depth Pavement
- (K1) Full Depth Pavement, PCCP for Approaches
- (R) 165#/SYS QC/QA-HMA, 2, 70, Surface, 9.5mm on Asphalt Milling, 1.5 in.
- (R1) 165#/SYS HMA For Approaches, Type D on Asphalt Milling, 1.5 in.
- (S) Subgrade Treatment, Type XX
- (U) Underdrain
- (DW) Detectable Warning Surface
- (R) Concrete Curb Ramp
- (O) Compacted Aggregate
- (15) Curb
- (16) Center Curb
- (26) Sodding

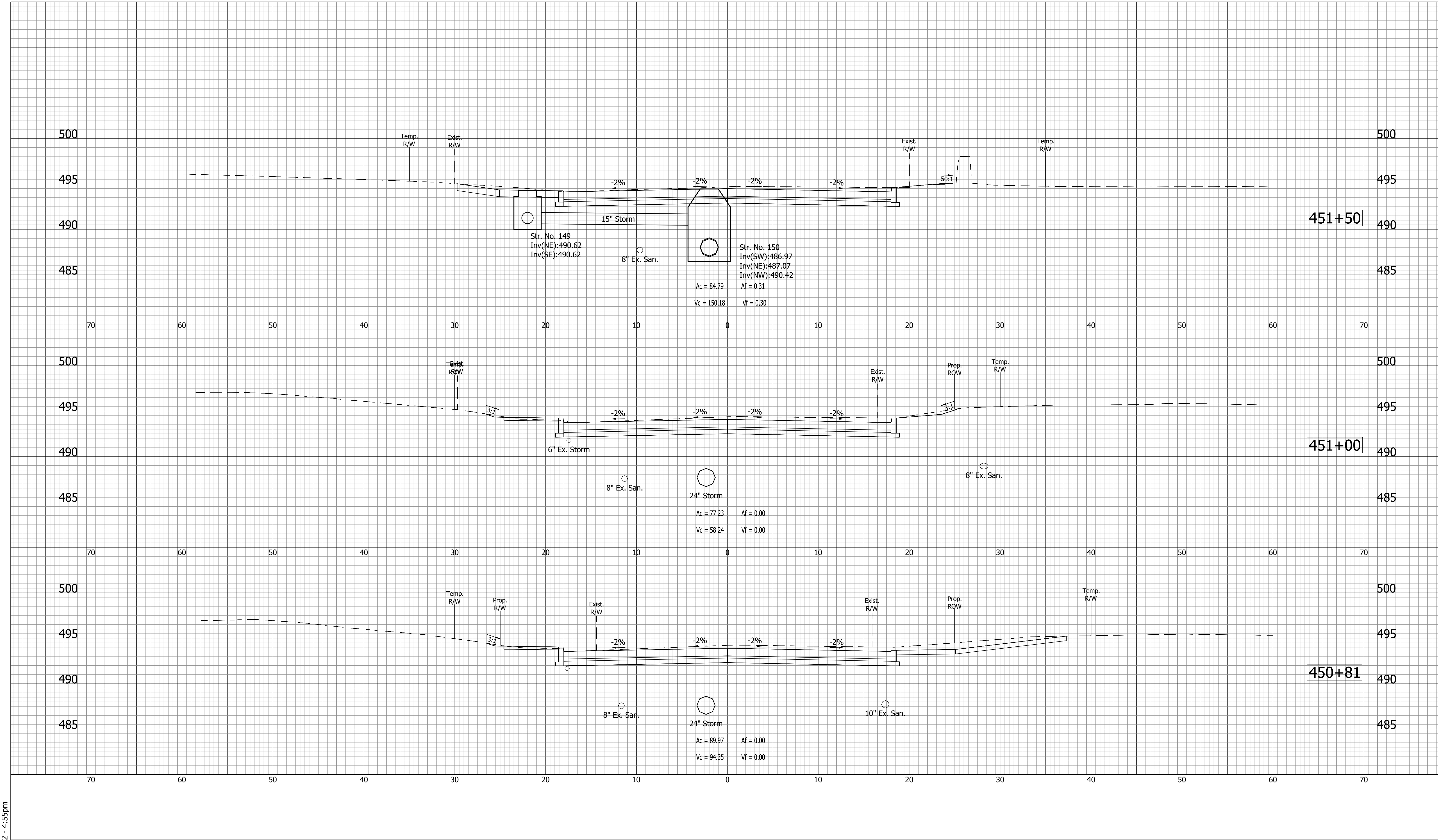
RECOMMENDED FOR APPROVAL _____ DESIGN ENGINEER	_____ DATE
DESIGNED: BWS	DRAWN: MRW
CHECKED: ACD	CHECKED: BWS

**INDIANA
DEPARTMENT OF TRANSPORTATION**

**CROSS SECTIONS
LINE "A"**

HORIZONTAL SCALE	BRIDGE FILE
VERTICAL SCALE	N/A
DESIGNATION	1700111
SURVEY BOOK	SHEETS
CONTRACT R-40412	130 of 152
PROJECT	1700111

DIRECTORY: C:\Users\mwarren\AppData\Local\Temp\AcPublish_510321
 FILE: 17-0199 Base Xsecs.dwg
 DIMSCALE: 1/8"=1'-0"
 PLOTTED BY: mwarren
 DATE: Sep 14, 2022 - 4:55pm



- (D) 6" PCCP for Approaches on Dense Graded Subbase on Subgrade Treatment, Type II
- (D1) 9" PCCP for Approaches on Geogrid, Type IB on Subgrade Treatment, Type II
- (F) Sidewalk, Concrete, 4"
- (K) Full Depth Pavement
- (K1) Full Depth Pavement, PCCP for Approaches
- (R) 165#/SYS QC/QA-HMA, 2, 70, Surface, 9.5mm on Asphalt Milling, 1.5 in.
- (R1) 165#/SYS HMA For Approaches, Type D on Asphalt Milling, 1.5 in.
- (S) Subgrade Treatment, Type XX
- (U) Underdrain
- (DW) Detectable Warning Surface
- (R) Concrete Curb Ramp
- (O) Compacted Aggregate
- (15) Curb
- (16) Center Curb
- (26) Sodding

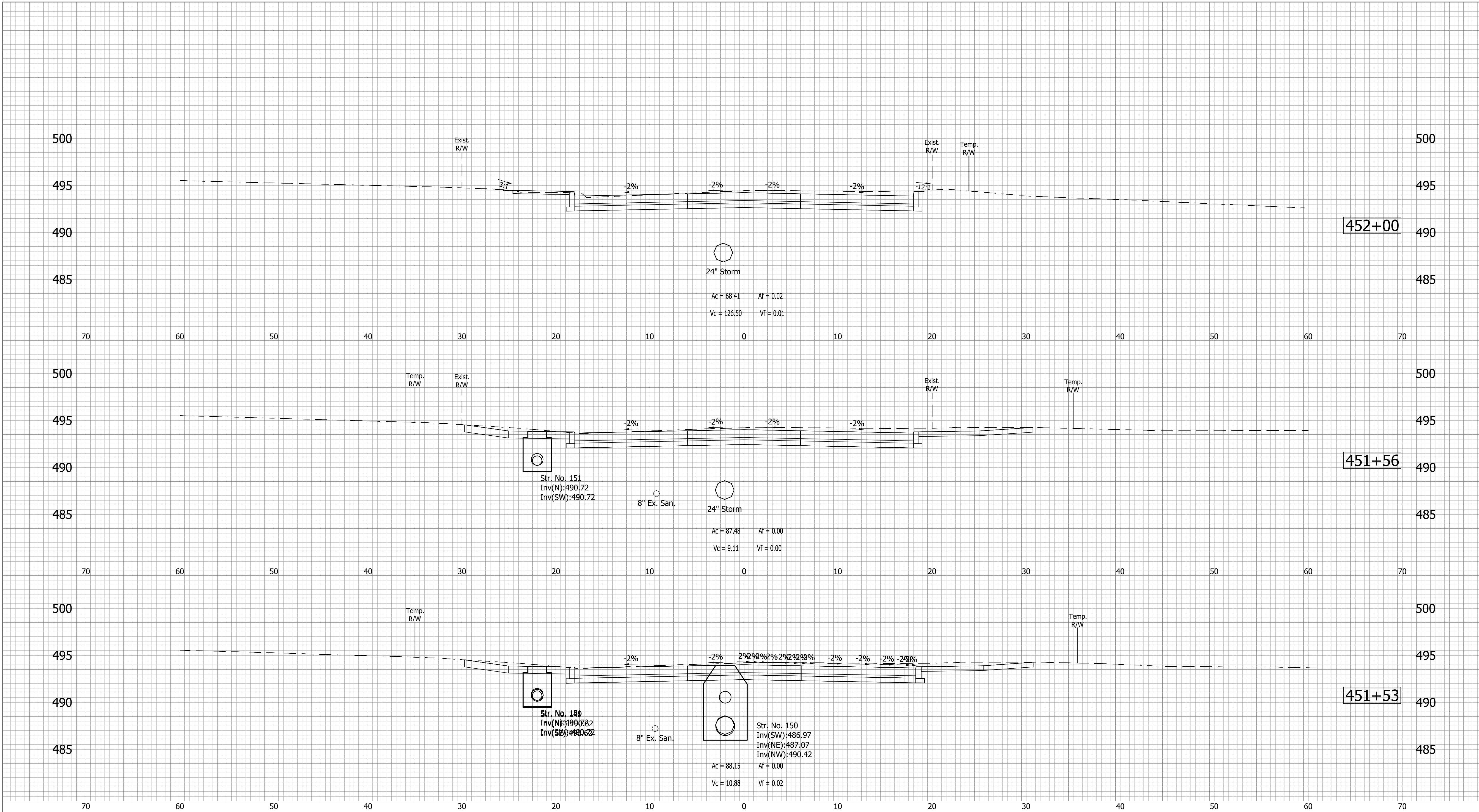
RECOMMENDED FOR APPROVAL	DESIGN ENGINEER	DATE
DESIGNED: BWS	DRAWN: MRW	
CHECKED: ACD	CHECKED: BWS	

INDIANA
DEPARTMENT OF TRANSPORTATION

CROSS SECTIONS
LINE "A"

HORIZONTAL SCALE	BRIDGE FILE
VERTICAL SCALE	N/A
	DESIGNATION
	1700111
SURVEY BOOK	SHEETS
	131 of 152
CONTRACT	PROJECT
R-40412	1700111

DIRECTORY: C:\Users\imwarren\AppData\Local\Temp\AcPublish_51032\
 FILE:17-0199 Base Xsecs.dwg
 DIMSCALE: 1/16 LTSCALE:1
 PLOTTED BY: imwarren
 DATE:Sep 14, 2022 - 4:55pm



- (D) 6" PCCP for Approaches on Dense Graded Subbase on Subgrade Treatment, Type II
- (D1) 9" PCCP for Approaches on Dense Graded Subbase on Geogrid, Type IB on Subgrade Treatment, Type II
- (F) Sidewalk, Concrete, 4"
- (K) Full Depth Pavement
- (K1) Full Depth Pavement, PCCP for Approaches
- (R) 165#/SYS QC/QA-HMA, 2, 70, Surface, 9.5mm on Asphalt Milling, 1.5 in.
- (R1) 165#/SYS HMA For Approaches, Type D on Asphalt Milling, 1.5 in.
- (S) Subgrade Treatment, Type XX
- (U) Underdrain
- (DW) Detectable Warning Surface
- (R) Concrete Curb Ramp
- (O) Compacted Aggregate
- (15) Curb
- (16) Center Curb
- (26) Sodding



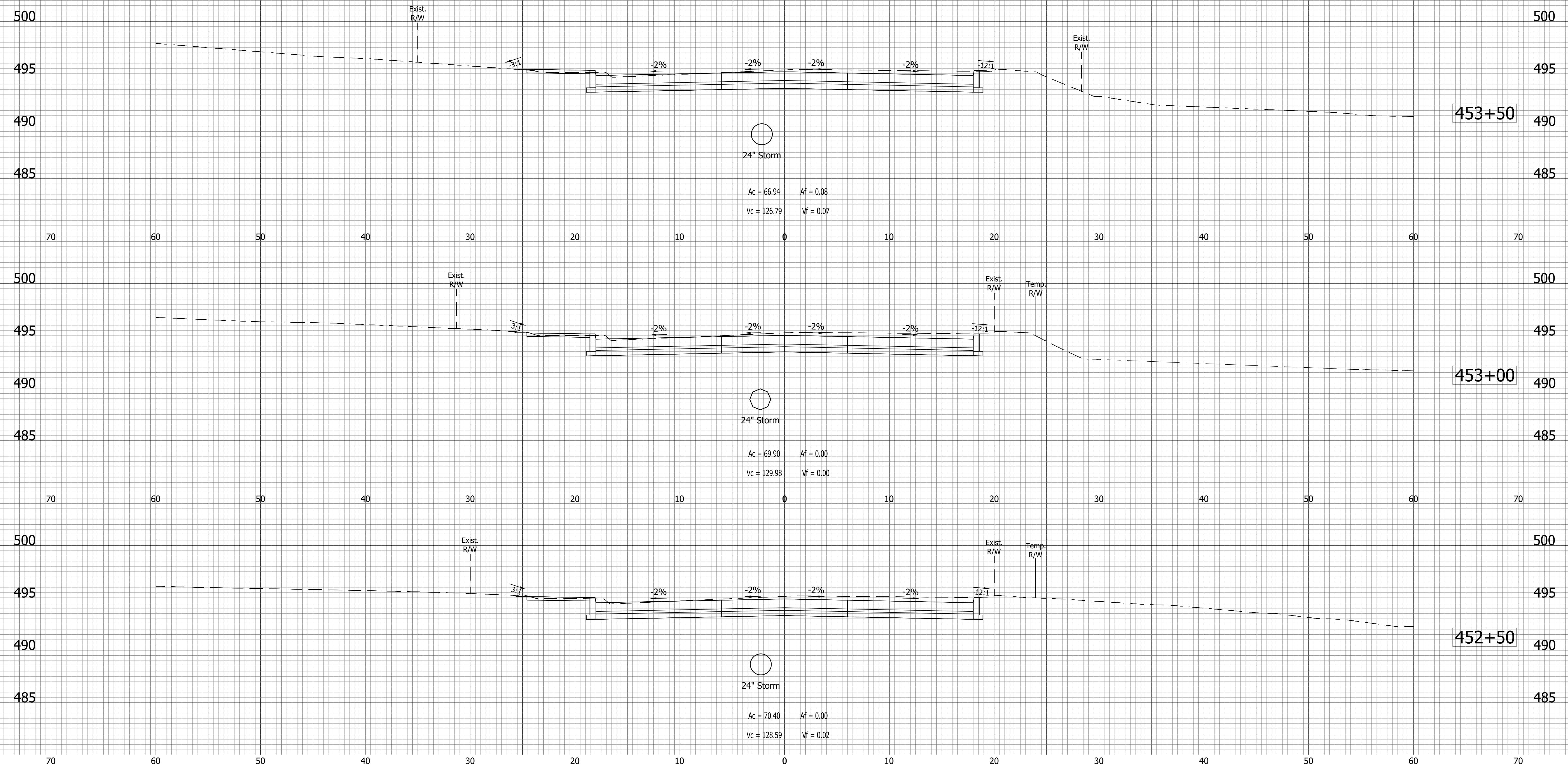
RECOMMENDED FOR APPROVAL		DESIGN ENGINEER		DATE	
DESIGNED:	BWS	DRAWN:	MRW		
CHECKED:	ACD	CHECKED:	BWS		

INDIANA
DEPARTMENT OF TRANSPORTATION

CROSS SECTIONS
LINE "A"

HORIZONTAL SCALE	BRIDGE FILE
VERTICAL SCALE	N/A
	DESIGNATION
	1700111
SURVEY BOOK	SHEETS
	132 of 152
CONTRACT	PROJECT
R-40412	1700111

DIRECTORY: C:\Users\mwarren\AppData\Local\Temp\AcPublish_51032\
 FILE:17-0199 Base Xsecs.dwg
 DIMSCALE: 1 LTSCALE:1
 PLOTTED BY: mwarren
 DATE:Sep 14, 2022 - 4:55pm



- (D) 6" PCCP for Approaches on Dense Graded Subbase on Subgrade Treatment, Type II
- (D1) 9" PCCP for Approaches on Dense Graded Subbase on Geogrid, Type IB on Subgrade Treatment, Type II
- (F) Sidewalk, Concrete, 4"
- (K) Full Depth Pavement
- (K1) Full Depth Pavement, PCCP for Approaches
- (R) 165#/SYS QC/QA-HMA, 2, 70, Surface, 9.5mm on Asphalt Milling, 1.5 in.
- (R1) 165#/SYS HMA For Approaches, Type D on Asphalt Milling, 1.5 in.
- (S) Subgrade Treatment, Type XX
- (U) Underdrain
- (DW) Detectable Warning Surface
- (R) Concrete Curb Ramp
- (O) Compacted Aggregate
- (15) Curb
- (16) Center Curb
- (26) Sodding

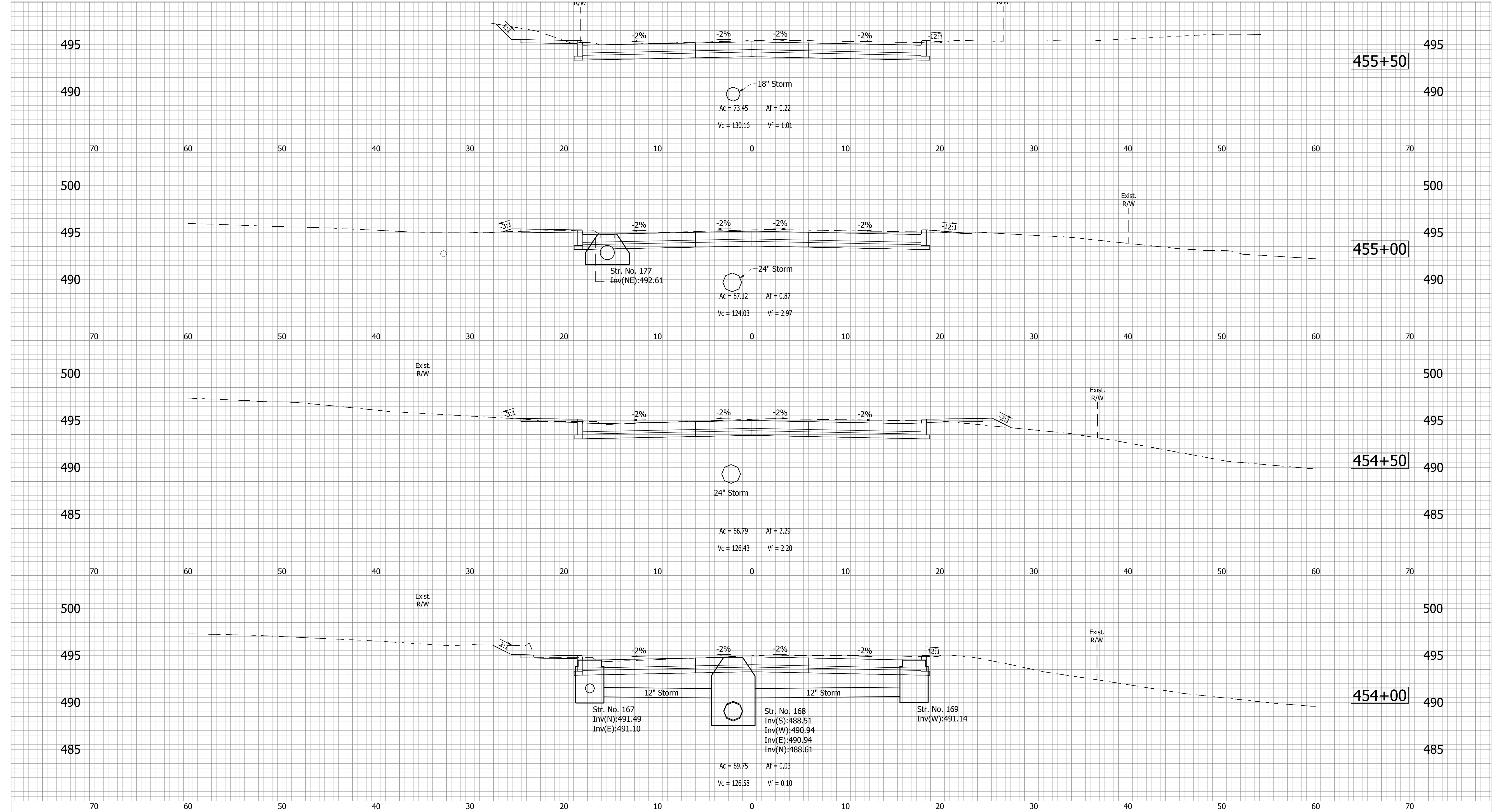
RECOMMENDED FOR APPROVAL		DESIGN ENGINEER	DATE
DESIGNED: BWS	DRAWN: MRW		
CHECKED: ACD	CHECKED: BWS		

INDIANA DEPARTMENT OF TRANSPORTATION

CROSS SECTIONS LINE "A"

HORIZONTAL SCALE	BRIDGE FILE
VERTICAL SCALE	N/A
	DESIGNATION
	1700111
SURVEY BOOK	SHEETS
	133 of 152
CONTRACT	PROJECT
R-40412	1700111

DIRECTORY: C:\Users\mwarren\AppData\Local\Temp\AcPublish_510321
 FILE:17-0199 Base Xsecs.dwg
 DIMSCALE: 1 LTSCALE:1
 PLOTTED BY: mwarren
 DATE:Sep 14, 2022 - 4:55pm



- (D) 6" PCCP for Approaches on Dense Graded Subbase on Subgrade Treatment, Type II
- (D1) 9" PCCP for Approaches on Dense Graded Subbase on Geogrid, Type IB on Subgrade Treatment, Type II
- (F) Sidewalk, Concrete, 4"
- (K) Full Depth Pavement
- (K1) Full Depth Pavement, PCCP for Approaches
- (R) 165#/SYS QC/QA-HMA, 2, 70, Surface, 9.5mm on Asphalt Milling, 1.5 in.
- (R1) 165#/SYS HMA For Approaches, Type D on Asphalt Milling, 1.5 in.
- (S) Subgrade Treatment, Type XX
- (U) Underdrain
- (DW) Detectable Warning Surface
- (R) Concrete Curb Ramp
- (O) Compacted Aggregate
- (15) Curb
- (16) Center Curb
- (26) Sodding

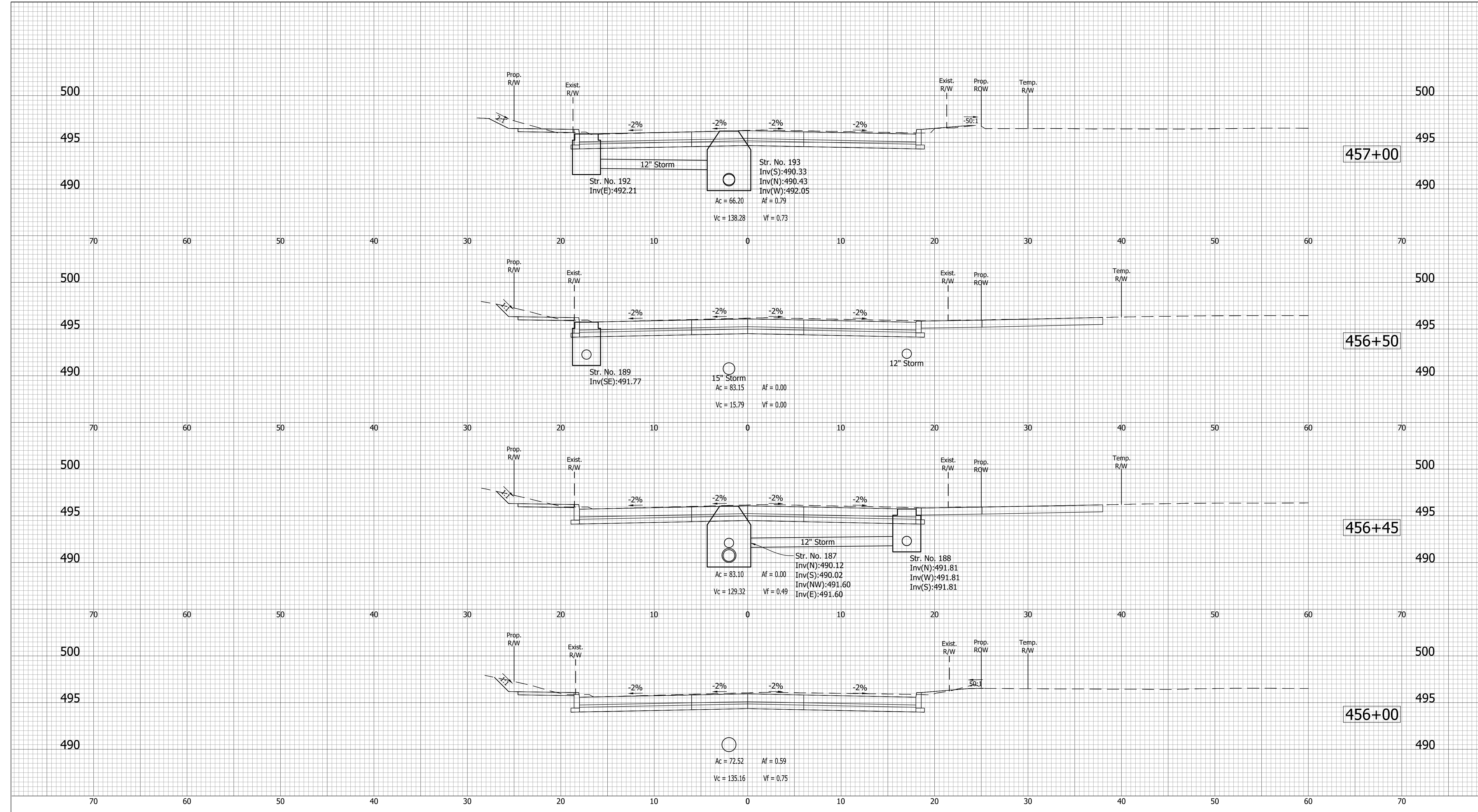
RECOMMENDED FOR APPROVAL	DESIGN ENGINEER	DATE
DESIGNED: BWS	DRAWN: MRW	
CHECKED: ACD	CHECKED: BWS	

**INDIANA
DEPARTMENT OF TRANSPORTATION**

**CROSS SECTIONS
LINE "A"**

HORIZONTAL SCALE	BRIDGE FILE
VERTICAL SCALE	N/A
SURVEY BOOK	DESIGNATION
	1700111
CONTRACT	SHEETS
R-40412	134 of 152
	PROJECT
	1700111

DIRECTORY: C:\Users\mwarren\AppData\Local\Temp\AcPublish_510321
 FILE:17-0199 Base Xsecs.dwg
 DIMSCALE: 1/16 LTSCALE:1
 PLOTTED BY: mwarren
 DATE:Sep 14, 2022 - 4:55pm



- (D) 6" PCCP for Approaches on Dense Graded Subbase on Subgrade Treatment, Type II
- (D1) 9" PCCP for Approaches on Dense Graded Subbase on Geogrid, Type IB on Subgrade Treatment, Type II
- (F) Sidewalk, Concrete, 4"
- (K) Full Depth Pavement
- (K1) Full Depth Pavement, PCCP for Approaches
- (R) 165#/SYS QC/QA-HMA, 2, 70, Surface, 9.5mm on Asphalt Milling, 1.5 in.
- (R1) 165#/SYS HMA For Approaches, Type D on Asphalt Milling, 1.5 in.
- (S) Subgrade Treatment, Type XX
- (U) Underdrain
- (DW) Detectable Warning Surface
- (R) Concrete Curb Ramp
- (O) Compacted Aggregate
- (15) Curb
- (16) Center Curb
- (26) Sodding

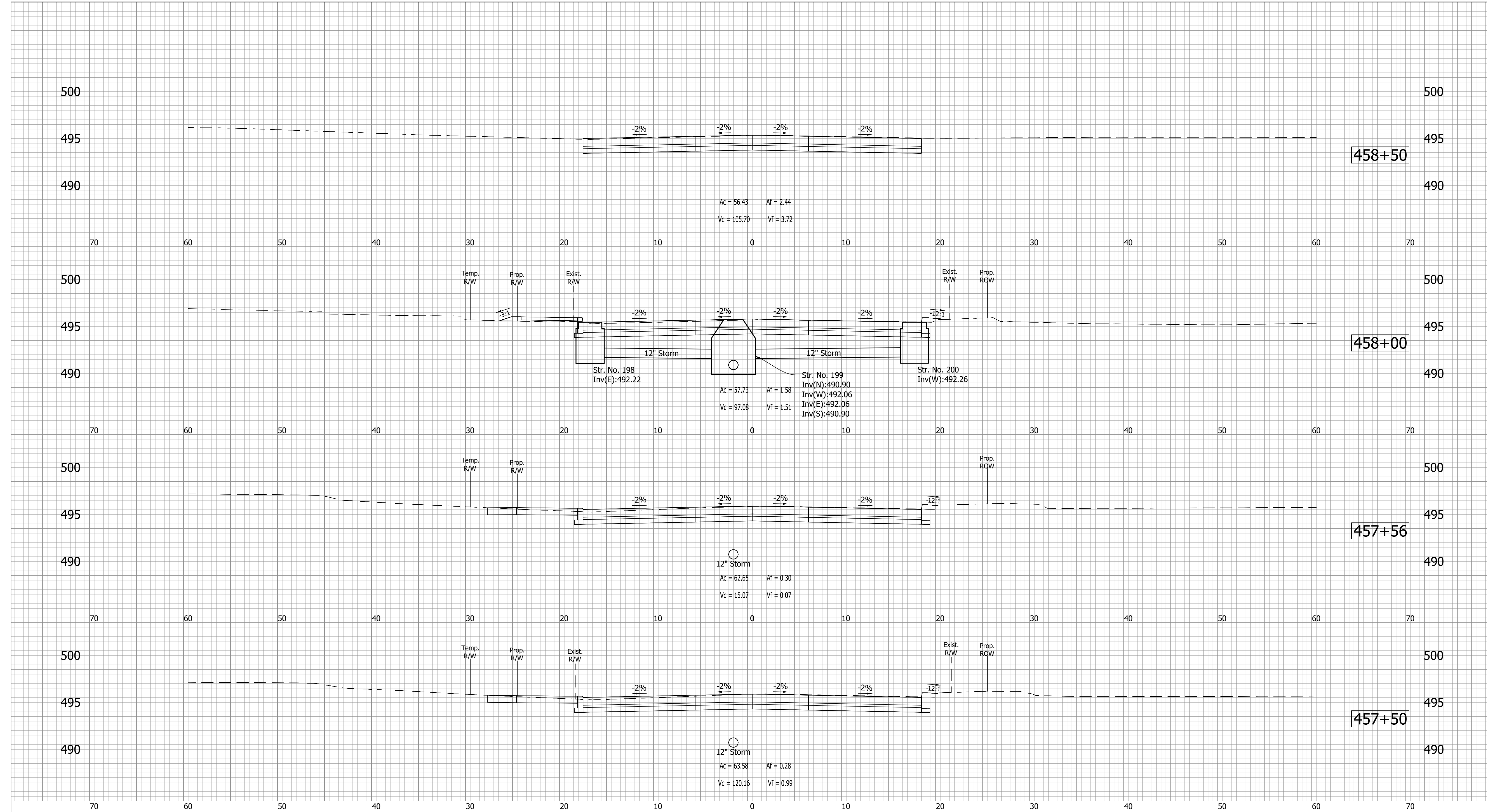
RECOMMENDED FOR APPROVAL _____ DESIGN ENGINEER	_____ DATE
DESIGNED: BWS	DRAWN: MRW
CHECKED: ACD	CHECKED: BWS

INDIANA
 DEPARTMENT OF TRANSPORTATION

 CROSS SECTIONS
 LINE "A"

HORIZONTAL SCALE	BRIDGE FILE
VERTICAL SCALE	N/A
SURVEY BOOK	DESIGNATION
CONTRACT	1700111
R-40412	SHEETS
	135 of 152
	PROJECT
	1700111

DIRECTORY: C:\Users\imwarren\AppData\Local\Temp\AcPublish_510321
 FILE:17-0199 Base Xsecs.dwg
 DIMSCALE: 1 LTSCALE:1
 PLOTTED BY: imwarren
 DATE:Sep 14, 2022 - 4:55pm



- (D) 6" PCCP for Approaches on Dense Graded Subbase on Subgrade Treatment, Type II
- (D1) 9" PCCP for Approaches on Dense Graded Subbase on Geogrid, Type IB on Subgrade Treatment, Type II
- (F) Sidewalk, Concrete, 4"
- (K) Full Depth Pavement
- (K1) Full Depth Pavement, PCCP for Approaches
- (R) 165#/SYS QC/QA-HMA, 2, 70, Surface, 9.5mm on Asphalt Milling, 1.5 in.
- (R1) 165#/SYS HMA For Approaches, Type D on Asphalt Milling, 1.5 in.
- (S) Subgrade Treatment, Type XX
- (U) Underdrain
- (DW) Detectable Warning Surface
- (R) Concrete Curb Ramp
- (O) Compacted Aggregate
- (15) Curb
- (16) Center Curb
- (26) Sodding

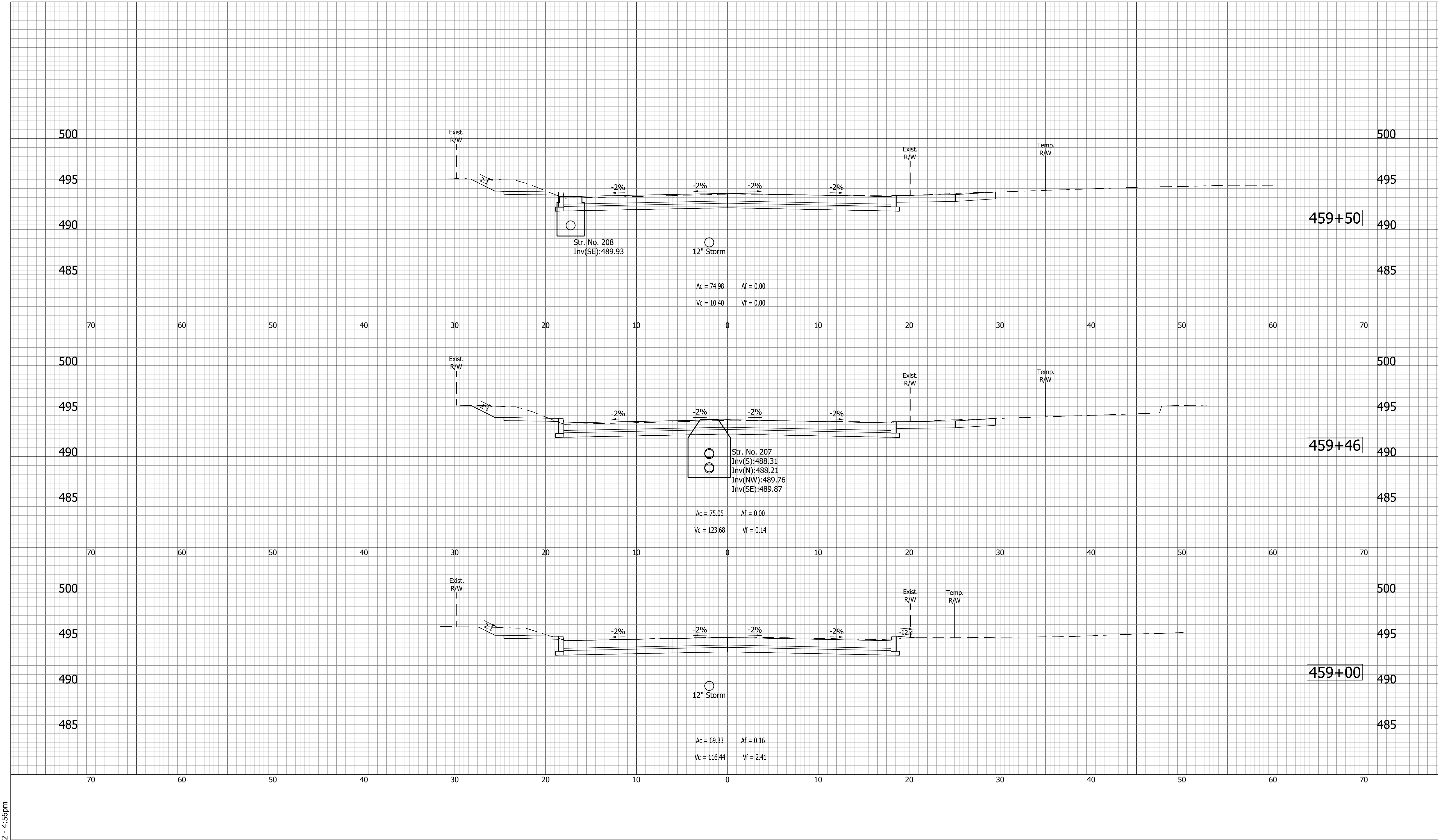
RECOMMENDED FOR APPROVAL	
DESIGNED: BWS	DRAWN: MRW
CHECKED: ACD	CHECKED: BWS

INDIANA
DEPARTMENT OF TRANSPORTATION

CROSS SECTIONS
LINE "A"

HORIZONTAL SCALE	BRIDGE FILE
VERTICAL SCALE	N/A
SURVEY BOOK	DESIGNATION
CONTRACT R-40412	1700111
	SHEETS
	136 of 152
	PROJECT
	1700111

DIRECTORY: C:\Users\mwarren\AppData\Local\Temp\AcPublish_510321
 FILE:17-0199 Base Xsecs.dwg
 DIMSCALE: 1/16 LTSCALE:1
 PLOTTED BY: mwarren
 DATE:Sep 14, 2022 - 4:56pm



- (D) 6" PCCP for Approaches on Dense Graded Subbase on Subgrade Treatment, Type II
- (D1) 9" PCCP for Approaches on Dense Graded Subbase on Geogrid, Type IB on Subgrade Treatment, Type II
- (F) Sidewalk, Concrete, 4"
- (K) Full Depth Pavement
- (K1) Full Depth Pavement, PCCP for Approaches
- (R) 165#/SYS QC/QA-HMA, 2, 70, Surface, 9.5mm on Asphalt Milling, 1.5 in.
- (R1) 165#/SYS HMA For Approaches, Type D on Asphalt Milling, 1.5 in.
- (S) Subgrade Treatment, Type XX
- (U) Underdrain
- (DW) Detectable Warning Surface
- (R) Concrete Curb Ramp
- (O) Compacted Aggregate
- (15) Curb
- (16) Center Curb
- (26) Sodding

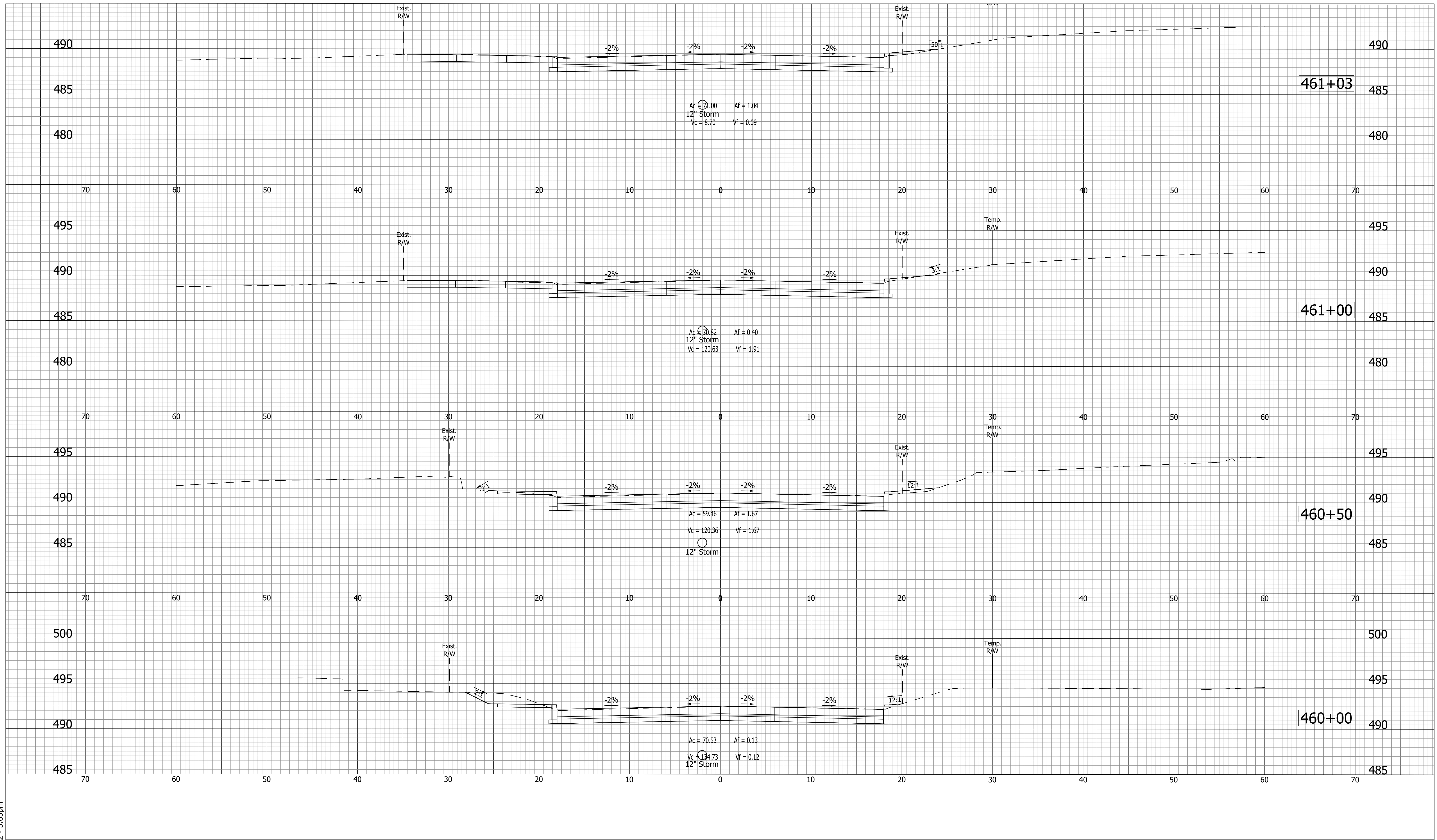
RECOMMENDED FOR APPROVAL _____ DESIGN ENGINEER _____ DATE _____	DESIGNED: BWS CHECKED: ACD
DRAWN: MRW CHECKED: BWS	DATE _____

INDIANA
DEPARTMENT OF TRANSPORTATION

CROSS SECTIONS
LINE "A"

HORIZONTAL SCALE	BRIDGE FILE
VERTICAL SCALE	N/A
SURVEY BOOK	DESIGNATION
CONTRACT	1700111
R-40412	SHEETS
	137 of 152
	PROJECT
	1700111

DIRECTORY: ...\\swa.local\files\Projects\Project Files\2017-0199\CADD\Design(Base)\
 FILE: ...17-0199 Base Xsecs.dwg
 DIMSCALE: 1 LTSCALE: 1
 PLOTTED BY: mwarren
 DATE: Sep 14, 2022 - 5:03pm



- (D) 6" PCCP for Approaches on Dense Graded Subbase on Subgrade Treatment, Type II
- (D1) 9" PCCP for Approaches on Geogrid, Type IB on Subgrade Treatment, Type II
- (F) Sidewalk, Concrete, 4"
- (K) Full Depth Pavement
- (K1) Full Depth Pavement, PCCP for Approaches
- (R) 165#/SYS QC/QA-HMA, 2, 70, Surface, 9.5mm on Asphalt Milling, 1.5 in.
- (R1) 165#/SYS HMA For Approaches, Type D on Asphalt Milling, 1.5 in.
- (S) Subgrade Treatment, Type XX
- (U) Underdrain
- (DW) Detectable Warning Surface
- (R) Concrete Curb Ramp
- (O) Compacted Aggregate
- (15) Curb
- (16) Center Curb
- (26) Sodding

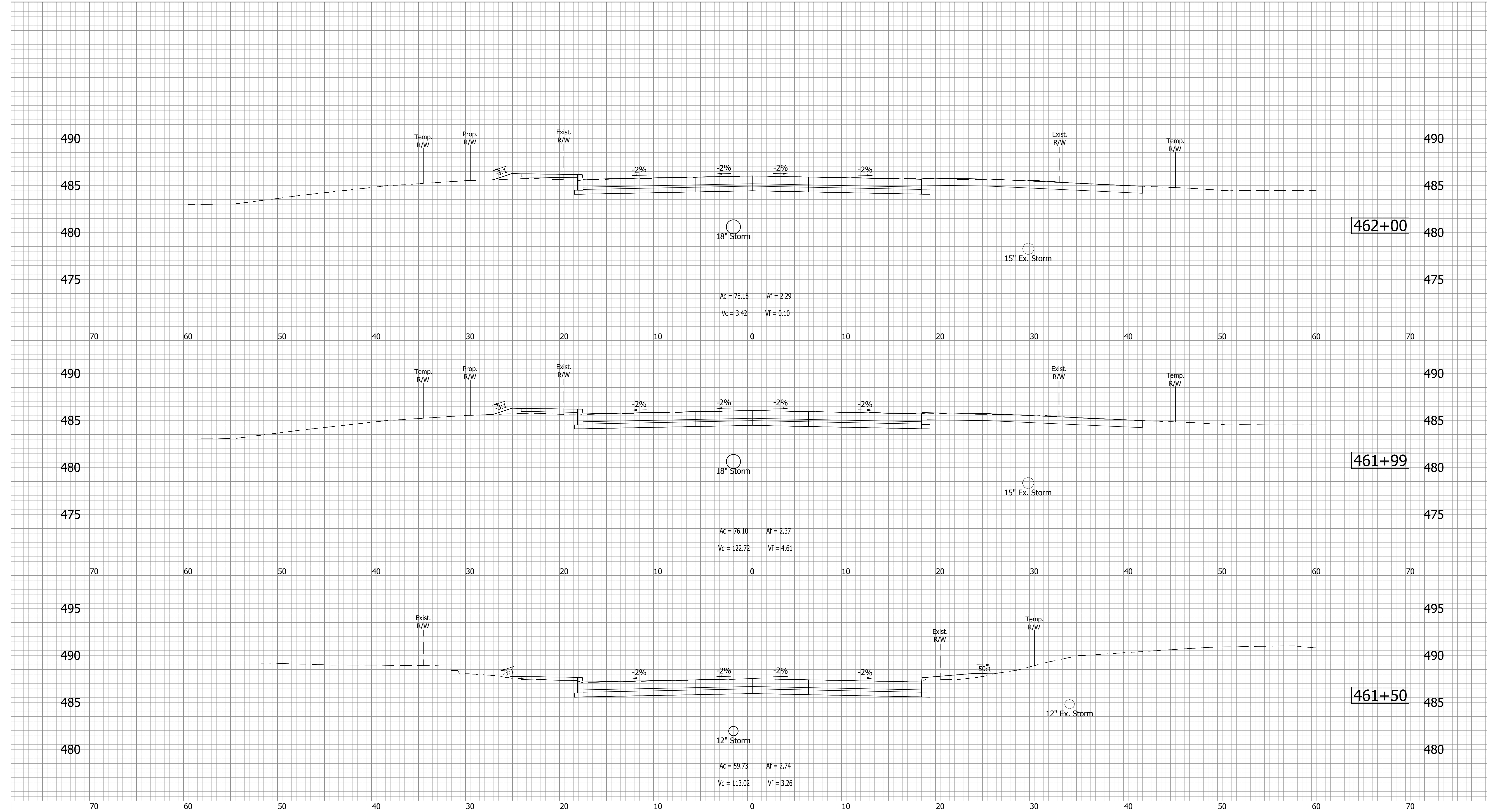
RECOMMENDED FOR APPROVAL	
DESIGN ENGINEER	DATE
DESIGNED: BWS	DRAWN: MRW
CHECKED: ACD	CHECKED: BWS

**INDIANA
DEPARTMENT OF TRANSPORTATION**

**CROSS SECTIONS
LINE "A"**

HORIZONTAL SCALE	BRIDGE FILE
VERTICAL SCALE	N/A
SURVEY BOOK	DESIGNATION
	1700111
CONTRACT	SHEETS
R-40412	138 of 152
	PROJECT
	1700111

DIRECTORY: C:\Users\mwarren\AppData\Local\Temp\AcPublish_510321
 FILE:17-0199 Base Xsecs.dwg
 DIMSCALE: 1/16 LTSCALE:1
 PLOTTED BY: mwarren
 DATE:Sep 14, 2022 - 4:56pm



- (D) 6" PCCP for Approaches on Dense Graded Subbase on Subgrade Treatment, Type II
- (D1) 9" PCCP for Approaches on Dense Graded Subbase on Geogrid, Type IB on Subgrade Treatment, Type II
- (F) Sidewalk, Concrete, 4"
- (K) Full Depth Pavement
- (K1) Full Depth Pavement, PCCP for Approaches
- (R) 165#/SYS QC/QA-HMA, 2, 70, Surface, 9.5mm on Asphalt Milling, 1.5 in.
- (R1) 165#/SYS HMA For Approaches, Type D on Asphalt Milling, 1.5 in.
- (S) Subgrade Treatment, Type XX
- (U) Underdrain
- (DW) Detectable Warning Surface
- (R) Concrete Curb Ramp
- (O) Compacted Aggregate
- (15) Curb
- (16) Center Curb
- (26) Sodding

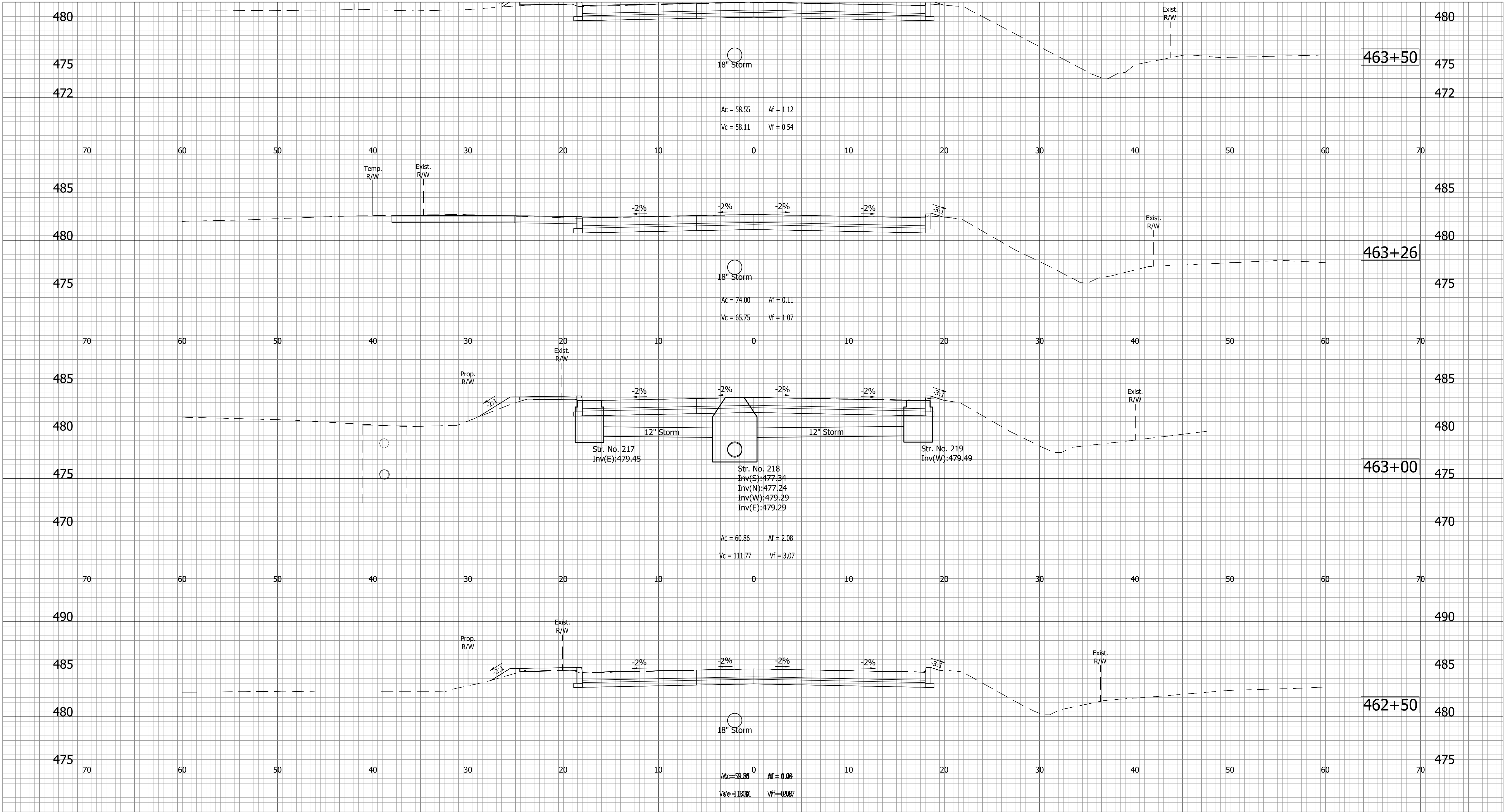
RECOMMENDED FOR APPROVAL	
DESIGN ENGINEER	DATE
DESIGNED: BWS	DRAWN: MRW
CHECKED: ACD	CHECKED: BWS

INDIANA
DEPARTMENT OF TRANSPORTATION

CROSS SECTIONS
LINE "A"

HORIZONTAL SCALE	BRIDGE FILE
VERTICAL SCALE	N/A
SURVEY BOOK	DESIGNATION
	1700111
CONTRACT	SHEETS
R-40412	139 of 152
	PROJECT
	1700111

DIRECTORY: ...\\swa.local\files\Projects\Project Files\2017-0199\CADD\Design (Base)
 FILE: ...17-0199 Base Xsecs.dwg
 DIMSCALE: 1/4" = 1' LTSCALE: ...
 PLOTTED BY: mwarren
 DATE: Sep 14, 2022 - 5:04pm



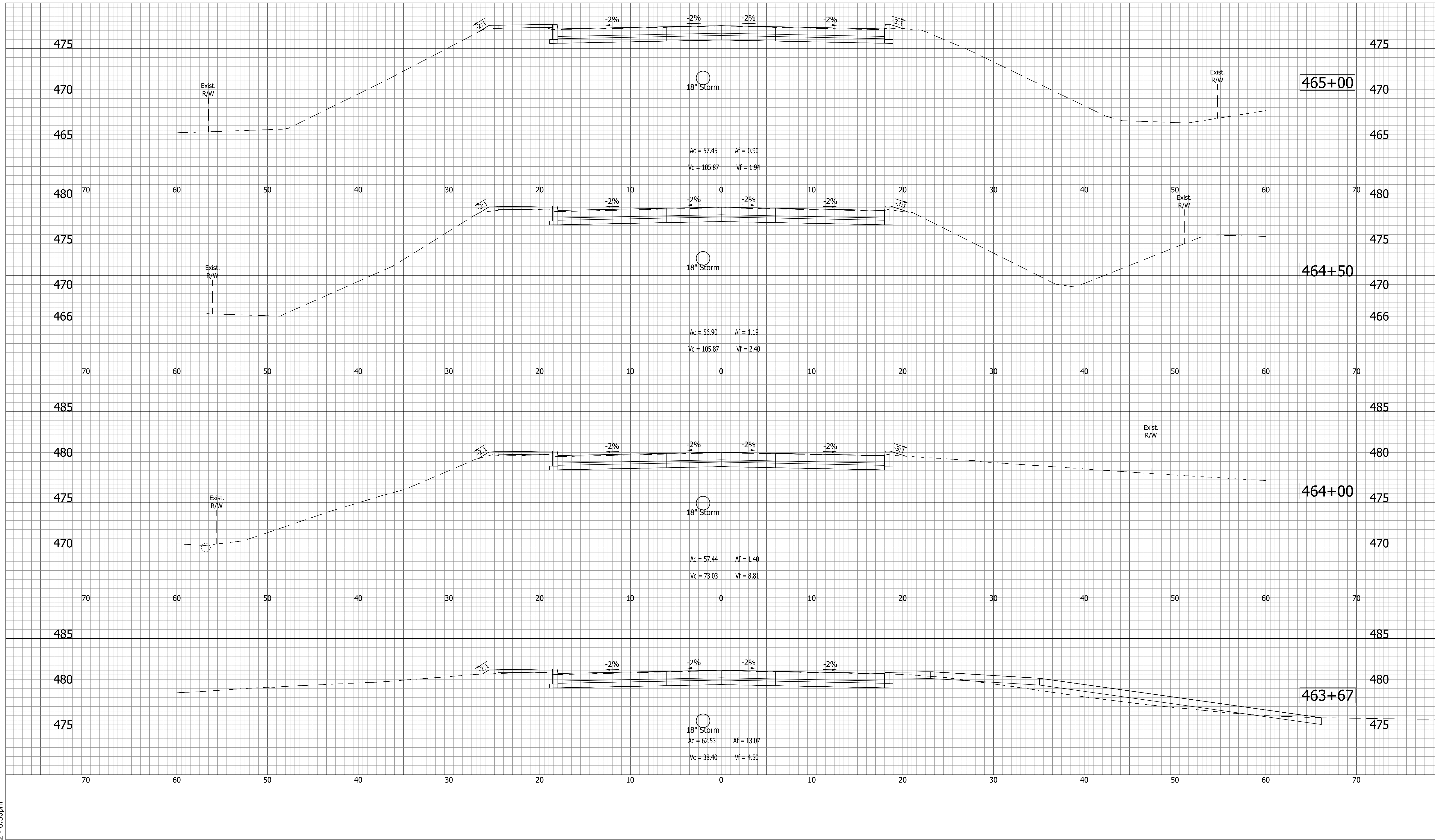
- (D) 6" PCCP for Approaches on Dense Graded Subbase on Subgrade Treatment, Type II
- (D1) 9" PCCP for Approaches on Dense Graded Subbase on Geogrid, Type IB on Subgrade Treatment, Type II
- (F) Sidewalk, Concrete, 4"
- (K) Full Depth Pavement
- (K1) Full Depth Pavement, PCCP for Approaches
- (R) 165#/SYS QC/QA-HMA, 2, 70, Surface, 9.5mm on Asphalt Milling, 1.5 in.
- (R1) 165#/SYS HMA For Approaches, Type D on Asphalt Milling, 1.5 in.
- (S) Subgrade Treatment, Type XX
- (U) Underdrain
- (DW) Detectable Warning Surface
- (R) Concrete Curb Ramp
- (O) Compacted Aggregate
- (15) Curb
- (16) Center Curb
- (26) Sodding

RECOMMENDED FOR APPROVAL	DESIGN ENGINEER	DATE
DESIGNED: BWS	DRAWN: MRW	
CHECKED: ACD	CHECKED: BWS	

INDIANA DEPARTMENT OF TRANSPORTATION
CROSS SECTIONS LINE "A"

HORIZONTAL SCALE	BRIDGE FILE
VERTICAL SCALE	N/A
SURVEY BOOK	DESIGNATION
CONTRACT R-40412	1700111
	SHEETS
	140 of 152
	PROJECT
	1700111

DIRECTORY: S:\Project Files\2017\17-0199\CADD\Design\Bases\
 FILE: 17-0199 Base Xsecs.dwg
 DIMSCALE: 1/8" = 1'-0"
 PLOTTED BY: mwarren
 DATE: Sep 14, 2022 - 6:50pm



- (D) 6" PCCP for Approaches on Dense Graded Subbase on Subgrade Treatment, Type II
- (D1) 9" PCCP for Approaches on Dense Graded Subbase on Geogrid, Type IB on Subgrade Treatment, Type II
- (F) Sidewalk, Concrete, 4"
- (K) Full Depth Pavement
- (K1) Full Depth Pavement, PCCP for Approaches
- (R) 165#/SYS QC/QA-HMA, 2, 70, Surface, 9.5mm on Asphalt Milling, 1.5 in.
- (R1) 165#/SYS HMA For Approaches, Type D on Asphalt Milling, 1.5 in.
- (S) Subgrade Treatment, Type XX
- (U) Underdrain
- (DW) Detectable Warning Surface
- (R) Concrete Curb Ramp
- (O) Compacted Aggregate
- (15) Curb
- (16) Center Curb
- (26) Sodding

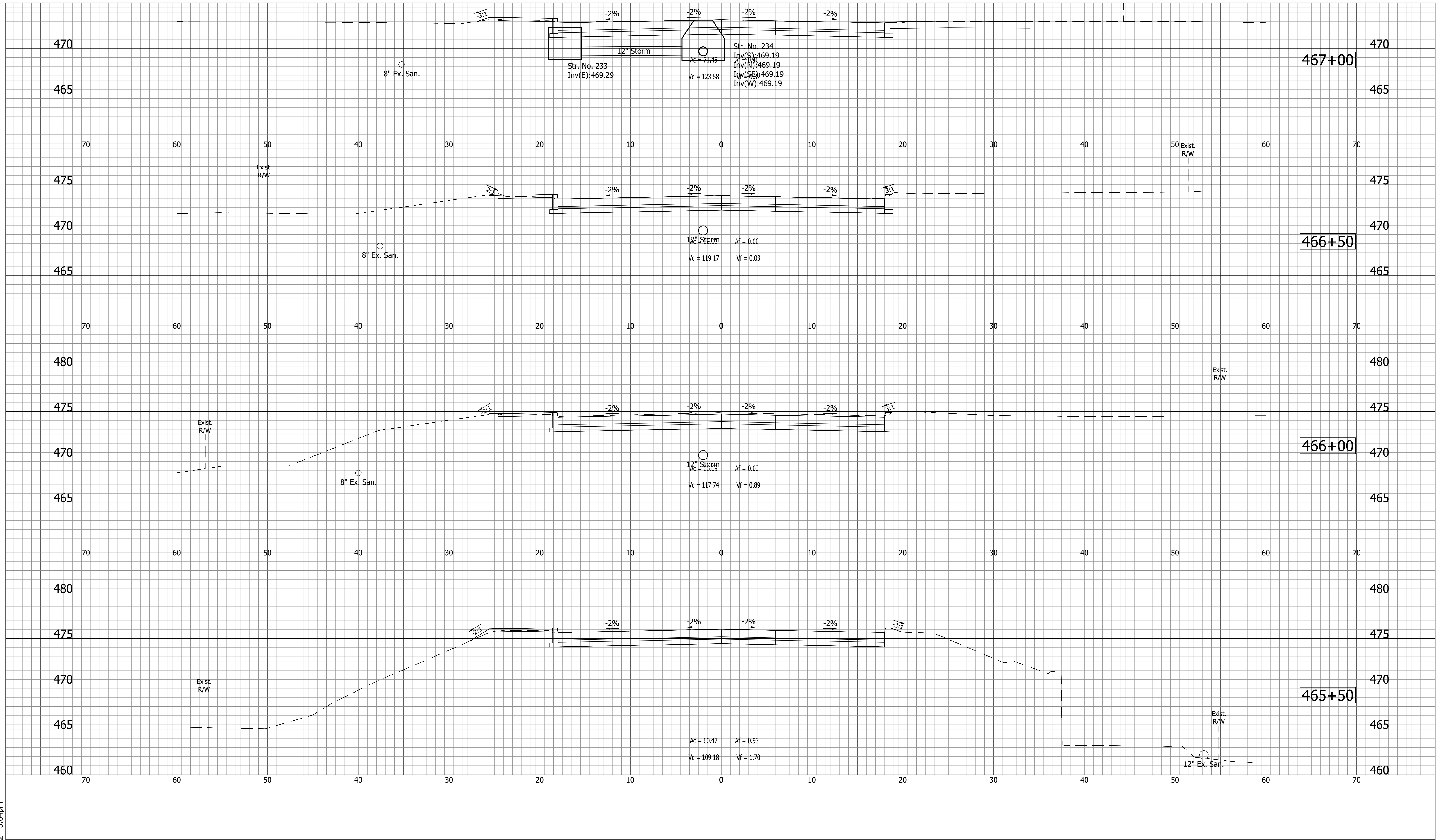
RECOMMENDED FOR APPROVAL	
DESIGN ENGINEER	DATE
DESIGNED: BWS	DRAWN: MRW
CHECKED: ACD	CHECKED: BWS

**INDIANA
DEPARTMENT OF TRANSPORTATION**

**CROSS SECTIONS
LINE "A"**

HORIZONTAL SCALE	BRIDGE FILE
VERTICAL SCALE	N/A
SURVEY BOOK	DESIGNATION
	1700111
CONTRACT	SHEETS
R-40412	141 of 152
	PROJECT
	1700111

DIRECTORY: ...\\swa.local\files\Projects\Project Files\2017-0199\CADD\Design (Base)\
 FILE: ...17-0199 Base Xsecs.dwg
 DIMSCALE: 1 LTSCALE: ...1
 PLOTTED BY: mwarren
 DATE: ...Sep 14, 2022 - 5:04pm



- (D) 6" PCCP for Approaches on Dense Graded Subbase on Subgrade Treatment, Type II
- (D1) 9" PCCP for Approaches on Dense Graded Subbase on Geogrid, Type IB on Subgrade Treatment, Type II
- (F) Sidewalk, Concrete, 4"
- (K) Full Depth Pavement
- (K1) Full Depth Pavement, PCCP for Approaches
- (R) 165#/SYS QC/QA-HMA, 2, 70, Surface, 9.5mm on Asphalt Milling, 1.5 in.
- (R1) 165#/SYS HMA For Approaches, Type D on Asphalt Milling, 1.5 in.
- (S) Subgrade Treatment, Type XX
- (U) Underdrain
- (DW) Detectable Warning Surface
- (R) Concrete Curb Ramp
- (O) Compacted Aggregate
- (15) Curb
- (16) Center Curb
- (26) Sodding

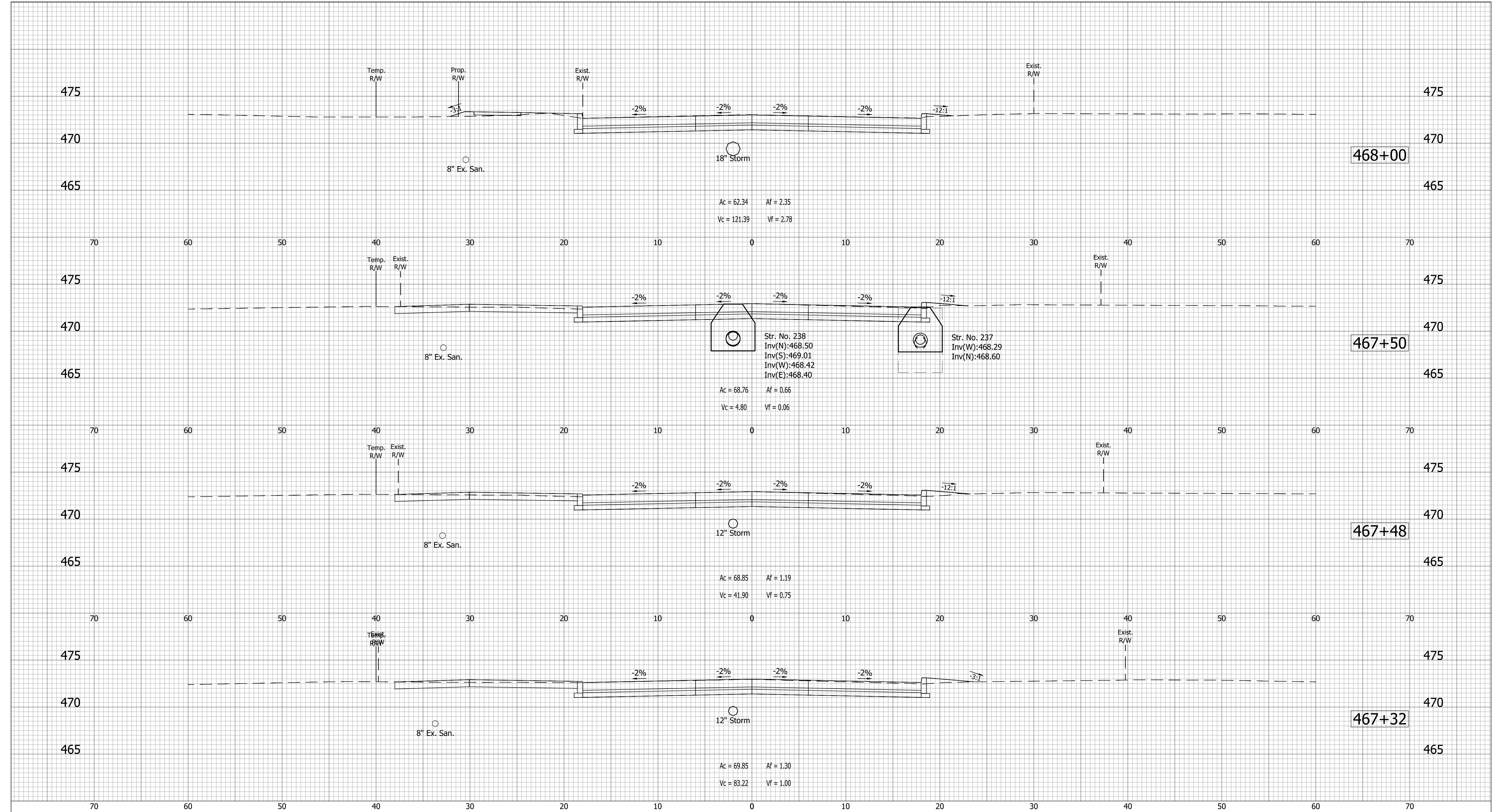
RECOMMENDED FOR APPROVAL	
DESIGN ENGINEER	DATE
DESIGNED: BWS	DRAWN: MRW
CHECKED: ACD	CHECKED: BWS

INDIANA
DEPARTMENT OF TRANSPORTATION

CROSS SECTIONS
LINE "A"

HORIZONTAL SCALE	BRIDGE FILE
VERTICAL SCALE	N/A
SURVEY BOOK	DESIGNATION
	1700111
CONTRACT	SHEETS
R-40412	142 of 152
	PROJECT
	1700111

DIRECTORY: C:\Users\mwarren\AppData\Local\Temp\AcPublish_51032\
 FILE:17-0199 Base Xsecs.dwg
 DIMSCALE: 1/16 LTSCALE:1
 PLOTTED BY: mwarren
 DATE:Sep 14, 2022 - 4:57pm



Ac = 62.34 Af = 2.35
 Vc = 121.39 Vf = 2.78

Str. No. 238
 Inv(N):468.50
 Inv(S):469.01
 Inv(W):468.42
 Inv(E):468.40
 Ac = 68.76 Af = 0.66
 Vc = 4.80 Vf = 0.06

Ac = 68.85 Af = 1.19
 Vc = 41.90 Vf = 0.75

Ac = 69.85 Af = 1.30
 Vc = 83.22 Vf = 1.00

- (D) 6" PCCP for Approaches on Dense Graded Subbase on Subgrade Treatment, Type II
- (D1) 9" PCCP for Approaches on Geogrid, Type IB on Subgrade Treatment, Type II
- (F) Sidewalk, Concrete, 4"
- (K) Full Depth Pavement
- (K1) Full Depth Pavement, PCCP for Approaches
- (R) 165#/SYS QC/QA-HMA, 2, 70, Surface, 9.5mm on Asphalt Milling, 1.5 in.
- (R1) 165#/SYS HMA For Approaches, Type D on Asphalt Milling, 1.5 in.
- (S) Subgrade Treatment, Type XX
- (U) Underdrain
- (DW) Detectable Warning Surface
- (R) Concrete Curb Ramp
- (O) Compacted Aggregate
- (15) Curb
- (16) Center Curb
- (26) Sodding

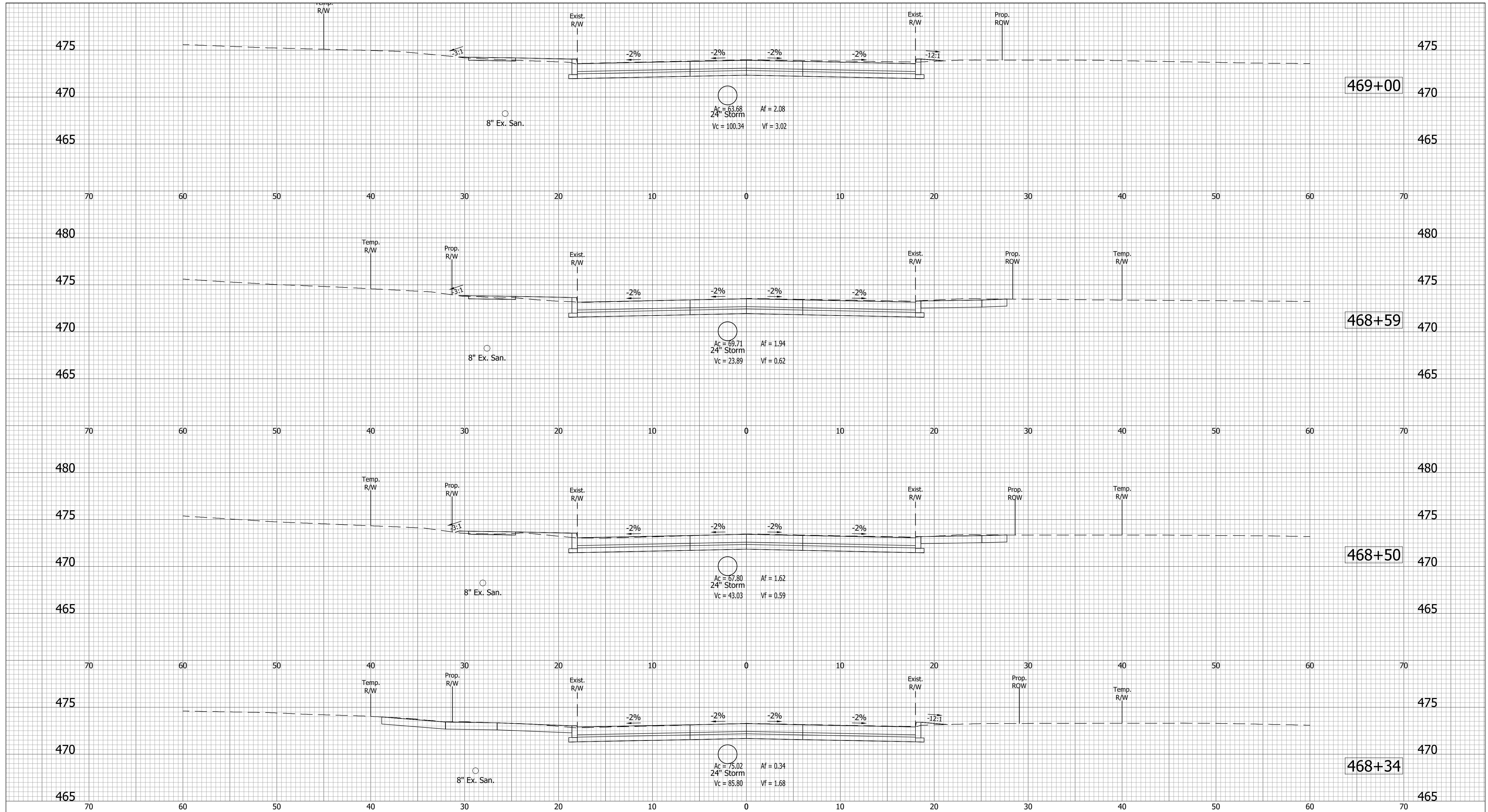
RECOMMENDED FOR APPROVAL		DESIGN ENGINEER		DATE	
DESIGNED:	BWS	DRAWN:	MRW		
CHECKED:	ACD	CHECKED:	BWS		

INDIANA
DEPARTMENT OF TRANSPORTATION

CROSS SECTIONS
LINE "A"

HORIZONTAL SCALE	BRIDGE FILE
VERTICAL SCALE	N/A
	DESIGNATION
	1700111
SURVEY BOOK	SHEETS
	143 of 152
CONTRACT	PROJECT
R-40412	1700111

DIRECTORY: ...\\swa.local\files\Projects\Project Files\2017\17-0199\CADD\Design (Base)\
 FILE: ...17-0199 Base Xsecs.dwg
 DIMSCALE: 1 LTSCALE: 1
 PLOTTED BY: mwarren
 DATE: Sep 14, 2022 - 5:05pm



- (D) 6" PCCP for Approaches on Dense Graded Subbase on Subgrade Treatment, Type II
- (D1) 9" PCCP for Approaches on Geogrid, Type IB on Subgrade Treatment, Type II
- (F) Sidewalk, Concrete, 4"
- (K) Full Depth Pavement
- (K1) Full Depth Pavement, PCCP for Approaches
- (R) 165#/SYS QC/QA-HMA, 2, 70, Surface, 9.5mm on Asphalt Milling, 1.5 in.
- (R1) 165#/SYS HMA For Approaches, Type D on Asphalt Milling, 1.5 in.
- (S) Subgrade Treatment, Type XX
- (U) Underdrain
- (DW) Detectable Warning Surface
- (R) Concrete Curb Ramp
- (O) Compacted Aggregate
- (15) Curb
- (16) Center Curb
- (26) Sodding

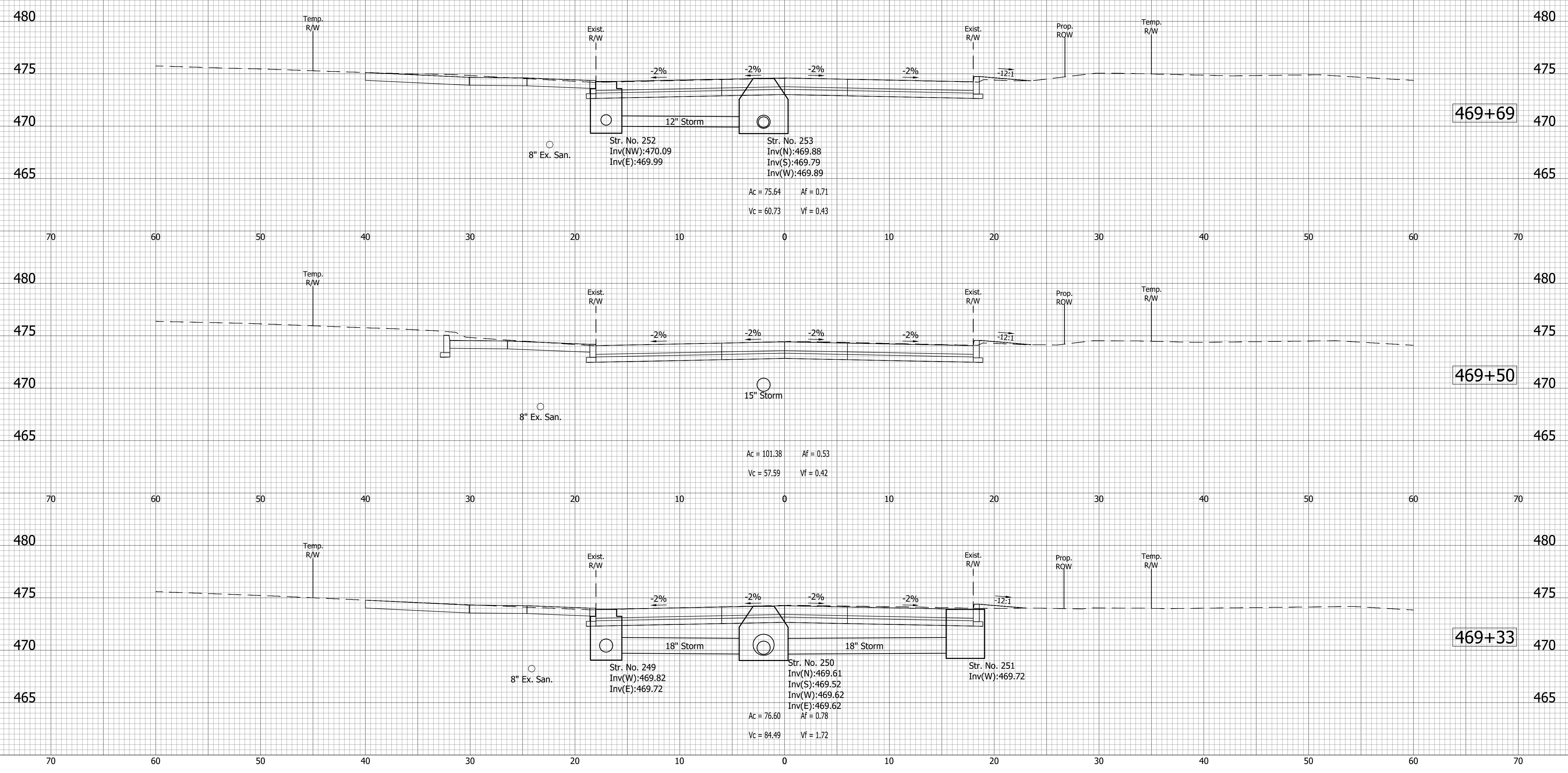
RECOMMENDED FOR APPROVAL	
DESIGN ENGINEER	DATE
DESIGNED: BWS	DRAWN: MRW
CHECKED: ACD	CHECKED: BWS

INDIANA
DEPARTMENT OF TRANSPORTATION

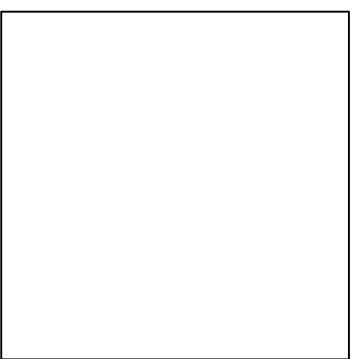
CROSS SECTIONS
LINE "A"

HORIZONTAL SCALE	BRIDGE FILE
VERTICAL SCALE	N/A
	DESIGNATION
	1700111
SURVEY BOOK	SHEETS
	144 of 152
CONTRACT	PROJECT
R-40412	1700111

DIRECTORY: C:\Users\imwarren\AppData\Local\Temp\AcPublish_510321
 FILE: 17-0199 Base Xsecs.dwg
 DIMSCALE: 1/16
 PLOTTED BY: imwarren
 DATE: Sep 14, 2022 - 4:57pm



- (D) 6" PCCP for Approaches on Dense Graded Subbase on Subgrade Treatment, Type II
- (D1) 9" PCCP for Approaches on Dense Graded Subbase on Geogrid, Type IB on Subgrade Treatment, Type II
- (F) Sidewalk, Concrete, 4"
- (K) Full Depth Pavement
- (K1) Full Depth Pavement, PCCP for Approaches
- (R) 165#/SYS QC/QA-HMA, 2, 70, Surface, 9.5mm on Asphalt Milling, 1.5 in.
- (R1) 165#/SYS HMA For Approaches, Type D on Asphalt Milling, 1.5 in.
- (S) Subgrade Treatment, Type XX
- (U) Underdrain
- (DW) Detectable Warning Surface
- (R) Concrete Curb Ramp
- (O) Compacted Aggregate
- (15) Curb
- (16) Center Curb
- (26) Sodding



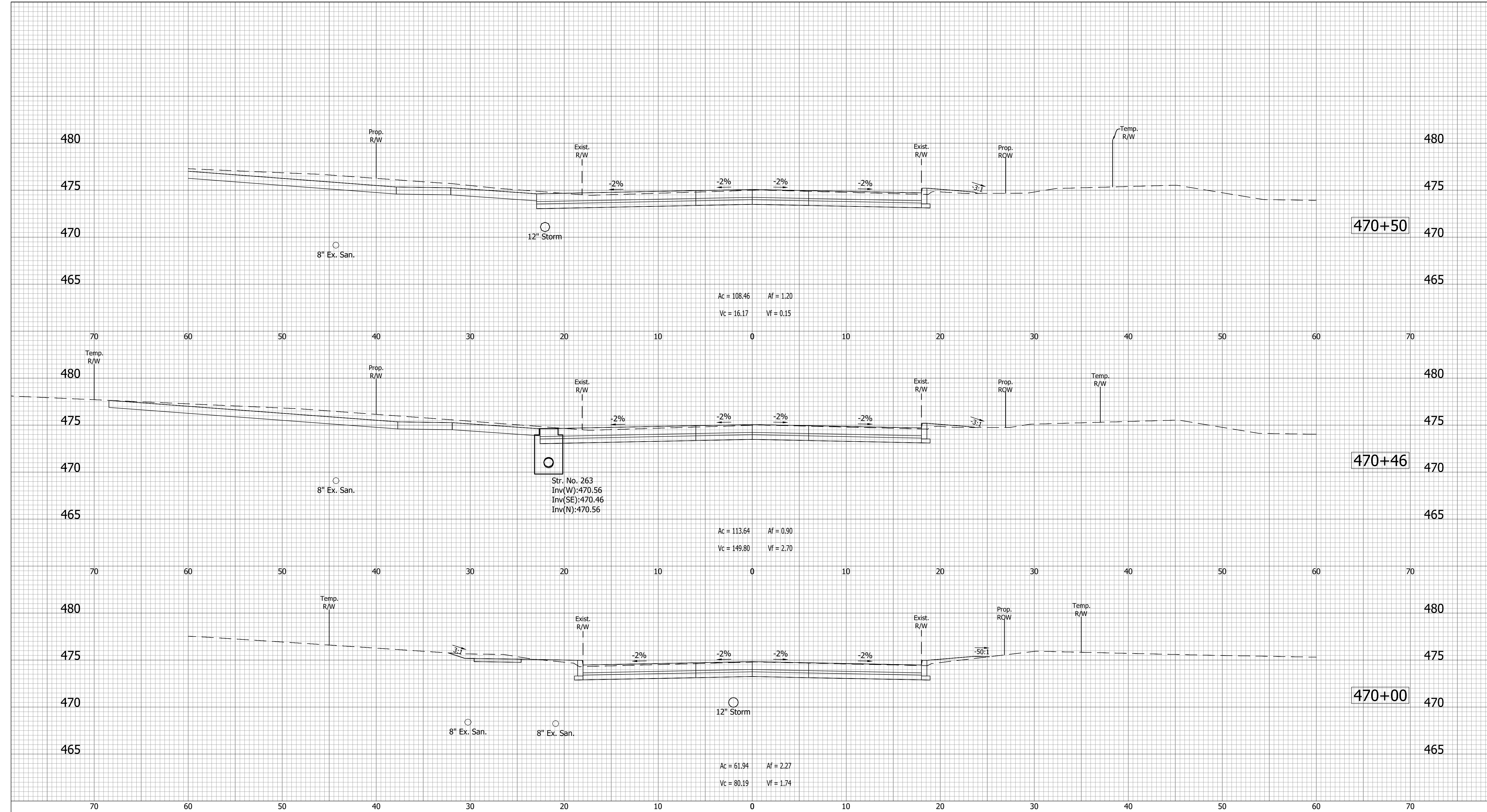
RECOMMENDED FOR APPROVAL	
DESIGNED: BWS	DRAWN: MRW
CHECKED: ACD	CHECKED: BWS

INDIANA DEPARTMENT OF TRANSPORTATION

CROSS SECTIONS LINE "A"

HORIZONTAL SCALE	BRIDGE FILE
VERTICAL SCALE	N/A
SURVEY BOOK	DESIGNATION
CONTRACT R-40412	1700111
	SHEETS
	145 of 152
	PROJECT
	1700111

DIRECTORY: C:\Users\mwarren\AppData\Local\Temp\AcPublish_51032\1
 FILE:17-0199 Base Xsecs.dwg
 DIMSCALE: 1/16 LTSCALE:1
 PLOTTED BY: mwarren
 DATE:Sep 14, 2022 - 4:57pm



Ac = 108.46 Af = 1.20
 Vc = 16.17 Vf = 0.15

Ac = 113.64 Af = 0.90
 Vc = 149.80 Vf = 2.70

Ac = 61.94 Af = 2.27
 Vc = 80.19 Vf = 1.74

Str. No. 263
 Inv(W):470.56
 Inv(SE):470.46
 Inv(N):470.56

- (D) 6" PCCP for Approaches on Dense Graded Subbase on Subgrade Treatment, Type II
- (DI) 9" PCCP for Approaches on Geogrid, Type IB on Subgrade Treatment, Type II
- (F) Sidewalk, Concrete, 4"
- (K) Full Depth Pavement
- (K1) Full Depth Pavement, PCCP for Approaches
- (R) 165#/SYS QC/QA-HMA, 2, 70, Surface, 9.5mm on Asphalt Milling, 1.5 in.
- (R1) 165#/SYS HMA For Approaches, Type D on Asphalt Milling, 1.5 in.
- (S) Subgrade Treatment, Type XX
- (U) Underdrain
- (DW) Detectable Warning Surface
- (R) Concrete Curb Ramp
- (O) Compacted Aggregate
- (15) Curb
- (16) Center Curb
- (26) Sodding

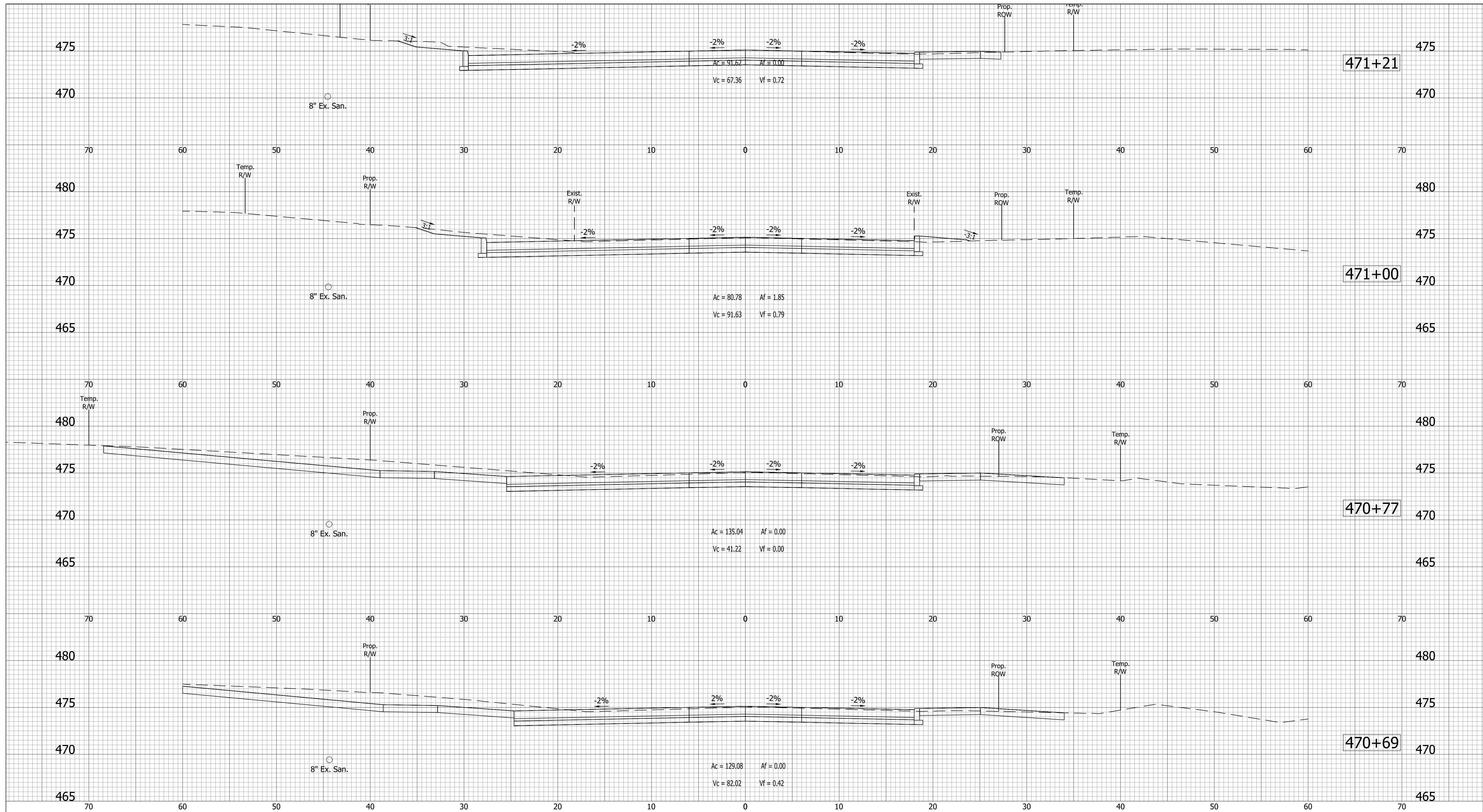
RECOMMENDED FOR APPROVAL	
DESIGN ENGINEER	DATE
DESIGNED: BWS	DRAWN: MRW
CHECKED: ACD	CHECKED: BWS

**INDIANA
 DEPARTMENT OF TRANSPORTATION**

**CROSS SECTIONS
 LINE "A"**

HORIZONTAL SCALE	BRIDGE FILE
VERTICAL SCALE	N/A
SURVEY BOOK	DESIGNATION
	1700111
CONTRACT	SHEETS
R-40412	146 of 152
	PROJECT
	1700111

DIRECTORY: ...\\swa.local\files\Projects\Project Files\2017\17-0199\CADD\Design (Base)
 FILE: ...17-0199 Base Xsecs.dwg
 DIMSCALE: 1 LTSCALE: 1
 PLOTTED BY: mwarren
 DATE: Sep 14, 2022 - 5:05pm



- (D) 6" PCCP for Approaches on Dense Graded Subbase on Subgrade Treatment, Type II
- (D1) 9" PCCP for Approaches on Dense Graded Subbase on Geogrid, Type IB on Subgrade Treatment, Type II
- (F) Sidewalk, Concrete, 4"
- (K) Full Depth Pavement
- (K1) Full Depth Pavement, PCCP for Approaches
- (R) 165#/SYS QC/QA-HMA, 2, 70, Surface, 9.5mm on Asphalt Milling, 1.5 in.
- (R1) 165#/SYS HMA For Approaches, Type D on Asphalt Milling, 1.5 in.
- (S) Subgrade Treatment, Type XX
- (U) Underdrain
- (DW) Detectable Warning Surface
- (R) Concrete Curb Ramp
- (O) Compacted Aggregate
- (15) Curb
- (16) Center Curb
- (26) Sodding

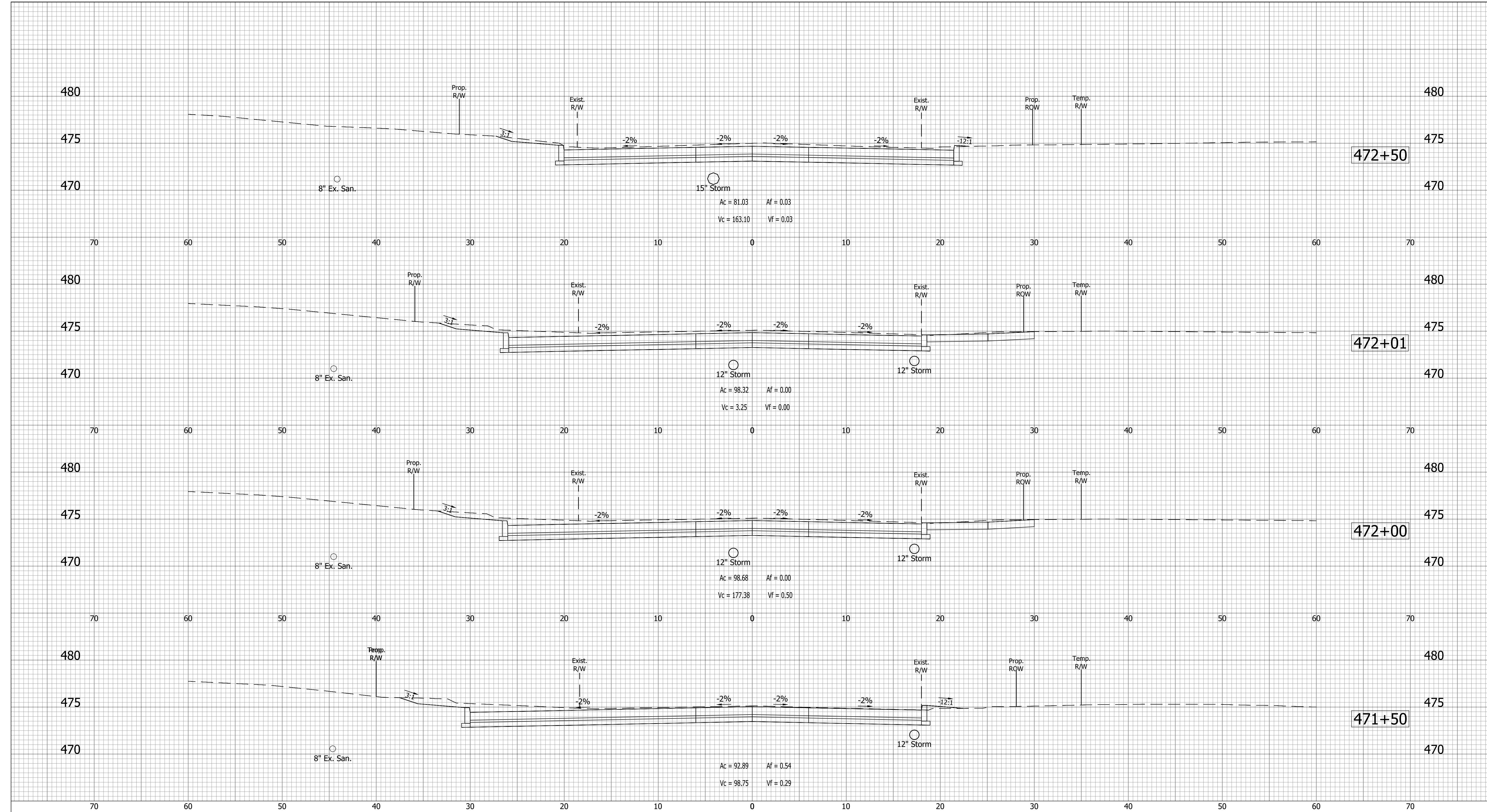
RECOMMENDED FOR APPROVAL	
DESIGN ENGINEER	DATE
DESIGNED: BWS	DRAWN: MRW
CHECKED: ACD	CHECKED: BWS

INDIANA
DEPARTMENT OF TRANSPORTATION

CROSS SECTIONS
LINE "A"

HORIZONTAL SCALE	BRIDGE FILE
VERTICAL SCALE	N/A
SURVEY BOOK	DESIGNATION
	1700111
CONTRACT	SHEETS
R-40412	147 of 152
	PROJECT
	1700111

DIRECTORY: C:\Users\mwarren\AppData\Local\Temp\AcPublish_51032\
 FILE:17-0199 Base Xsecs.dwg
 DIMSCALE: 1 LTSCALE:1
 PLOTTED BY: mwarren
 DATE:Sep 14, 2022 - 4:57pm



- (D) 6" PCCP for Approaches on Dense Graded Subbase on Subgrade Treatment, Type II
- (D1) 9" PCCP for Approaches on Dense Graded Subbase on Geogrid, Type IB on Subgrade Treatment, Type II
- (F) Sidewalk, Concrete, 4"
- (K) Full Depth Pavement
- (K1) Full Depth Pavement, PCCP for Approaches
- (R) 165#/SYS QC/QA-HMA, 2, 70, Surface, 9.5mm on Asphalt Milling, 1.5 in.
- (R1) 165#/SYS HMA For Approaches, Type D on Asphalt Milling, 1.5 in.
- (S) Subgrade Treatment, Type XX
- (U) Underdrain
- (DW) Detectable Warning Surface
- (R) Concrete Curb Ramp
- (O) Compacted Aggregate
- (15) Curb
- (16) Center Curb
- (26) Sodding

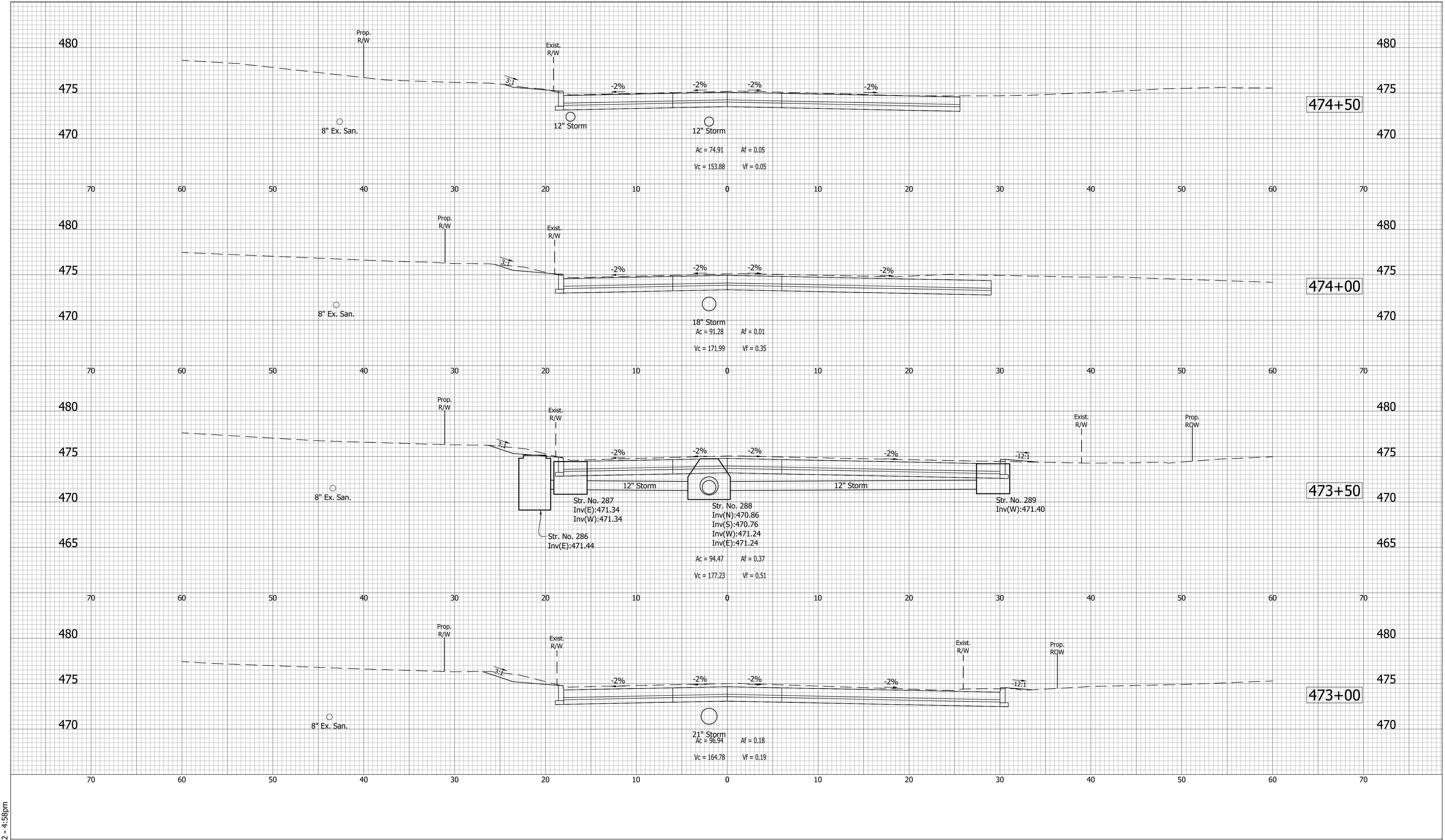
RECOMMENDED FOR APPROVAL _____ DESIGN ENGINEER _____ DATE _____	DESIGNED: BWS DRAWN: MRW CHECKED: ACD CHECKED: BWS
--	---

INDIANA
 DEPARTMENT OF TRANSPORTATION

 CROSS SECTIONS
 LINE "A"

HORIZONTAL SCALE	BRIDGE FILE
VERTICAL SCALE	N/A
SURVEY BOOK	DESIGNATION
	1700111
CONTRACT	SHEETS
R-40412	148 of 152
	PROJECT
	1700111

DIRECTORY: C:\Users\imwarren\AppData\Local\Temp\AcPublish_510321
 FILE:17-0199 Base Xsecs.dwg
 DIMSCALE: 1/16 LTSCALE:1
 PLOTTED BY: imwarren
 DATE:Sep 14, 2022 - 4:58pm



- (D) 6" PCCP for Approaches on Dense Graded Subbase on Subgrade Treatment, Type II
- (D1) 9" PCCP for Approaches on Dense Graded Subbase on Geogrid, Type IB on Subgrade Treatment, Type II
- (F) Sidewalk, Concrete, 4"
- (K) Full Depth Pavement
- (K1) Full Depth Pavement, PCCP for Approaches
- (R) 165#/SYS QC/QA-HMA, 2, 70, Surface, 9.5mm on Asphalt Milling, 1.5 in.
- (R1) 165#/SYS HMA For Approaches, Type D on Asphalt Milling, 1.5 in.
- (S) Subgrade Treatment, Type XX
- (U) Underdrain
- (DW) Detectable Warning Surface
- (R) Concrete Curb Ramp
- (O) Compacted Aggregate
- (15) Curb
- (16) Center Curb
- (26) Sodding

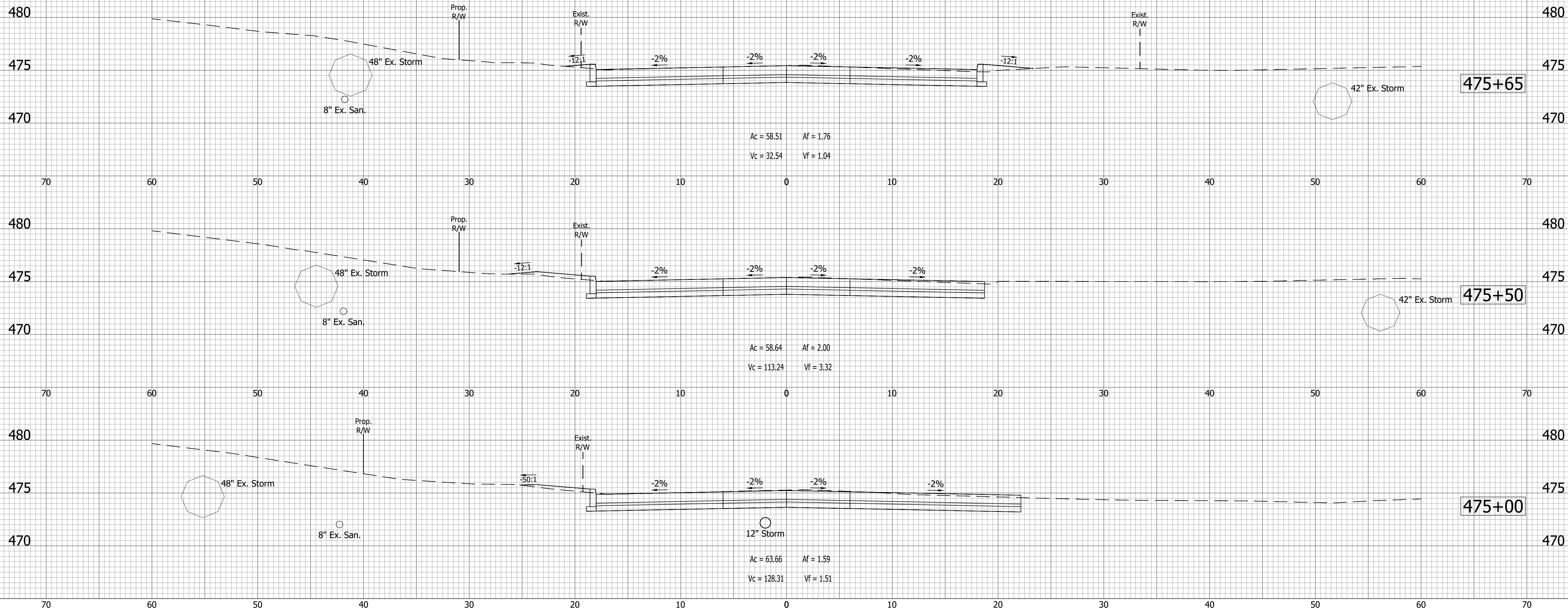
RECOMMENDED FOR APPROVAL	DESIGN ENGINEER _____ DATE _____
DESIGNED: BWS	DRAWN: MRW
CHECKED: ACD	CHECKED: BWS

**INDIANA
DEPARTMENT OF TRANSPORTATION**

**CROSS SECTIONS
LINE "A"**

HORIZONTAL SCALE	BRIDGE FILE
VERTICAL SCALE	N/A
SURVEY BOOK	DESIGNATION
CONTRACT	1700111
R-40412	SHEETS
	149 of 152
	PROJECT
	1700111

DIRECTORY: C:\Users\mwarren\AppData\Local\Temp\AcPublish_51032\
 FILE:17-0199 Base Xsecs.dwg
 DIMSCALE: 1 LTSCALE:1
 PLOTTED BY: mwarren
 DATE:Sep 14, 2022 - 4:58pm



Ac = 58.51 Af = 1.76
 Vc = 32.54 Vf = 1.04

Ac = 58.64 Af = 2.00
 Vc = 113.24 Vf = 3.32

Ac = 63.66 Af = 1.59
 Vc = 128.31 Vf = 1.51

- (D) 6" PCCP for Approaches on Dense Graded Subbase on Subgrade Treatment, Type II
- (D1) 9" PCCP for Approaches on Dense Graded Subbase on Geogrid, Type IB on Subgrade Treatment, Type II
- (F) Sidewalk, Concrete, 4"
- (K) Full Depth Pavement
- (K1) Full Depth Pavement, PCCP for Approaches
- (R) 165#/SYS QC/QA-HMA, 2, 70, Surface, 9.5mm on Asphalt Milling, 1.5 in.
- (R1) 165#/SYS HMA For Approaches, Type D on Asphalt Milling, 1.5 in.
- (S) Subgrade Treatment, Type XX
- (U) Underdrain
- (DW) Detectable Warning Surface
- (R) Concrete Curb Ramp
- (O) Compacted Aggregate
- (15) Curb
- (16) Center Curb
- (26) Sodding

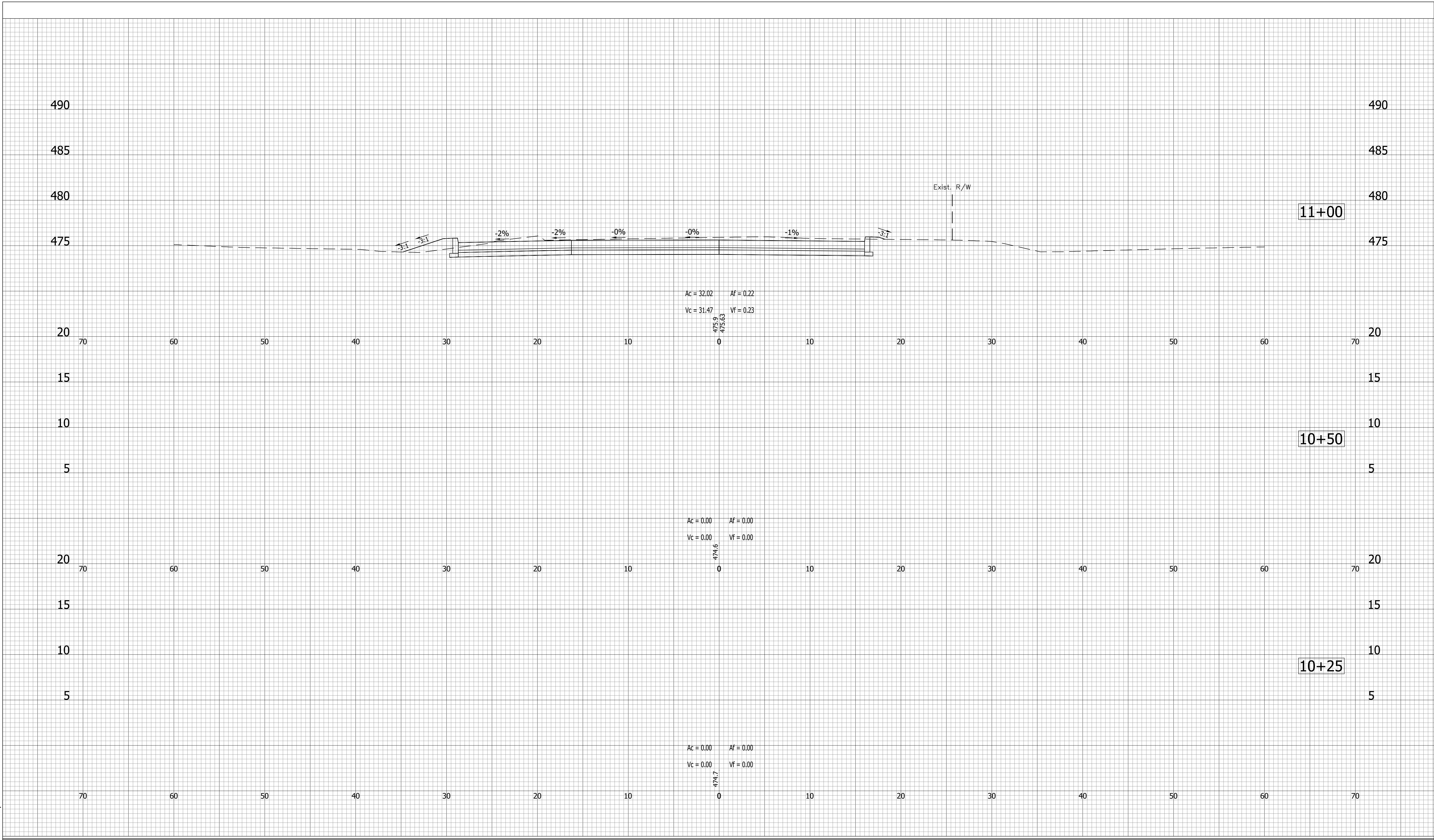
RECOMMENDED FOR APPROVAL		DESIGN ENGINEER		DATE	
DESIGNED: BWS	DRAWN: MRW				
CHECKED: ACD	CHECKED: BWS				

**INDIANA
 DEPARTMENT OF TRANSPORTATION**

**CROSS SECTIONS
 LINE "A"**

HORIZONTAL SCALE	BRIDGE FILE
VERTICAL SCALE	N/A
	DESIGNATION
	1700111
SURVEY BOOK	SHEETS
	150 of 152
CONTRACT	PROJECT
R-40412	1700111

DIRECTORY: S:\Project Files\2017\17-0199\CADD\Design\Sheet Sets\
 FILE: 0199 XSec.dwg
 DIMSCALE: 5 LTSCALE: 1
 PLOTTED BY: mwarren
 DATE: Sep 14, 2022 - 12:13pm



11+00

10+50

10+25

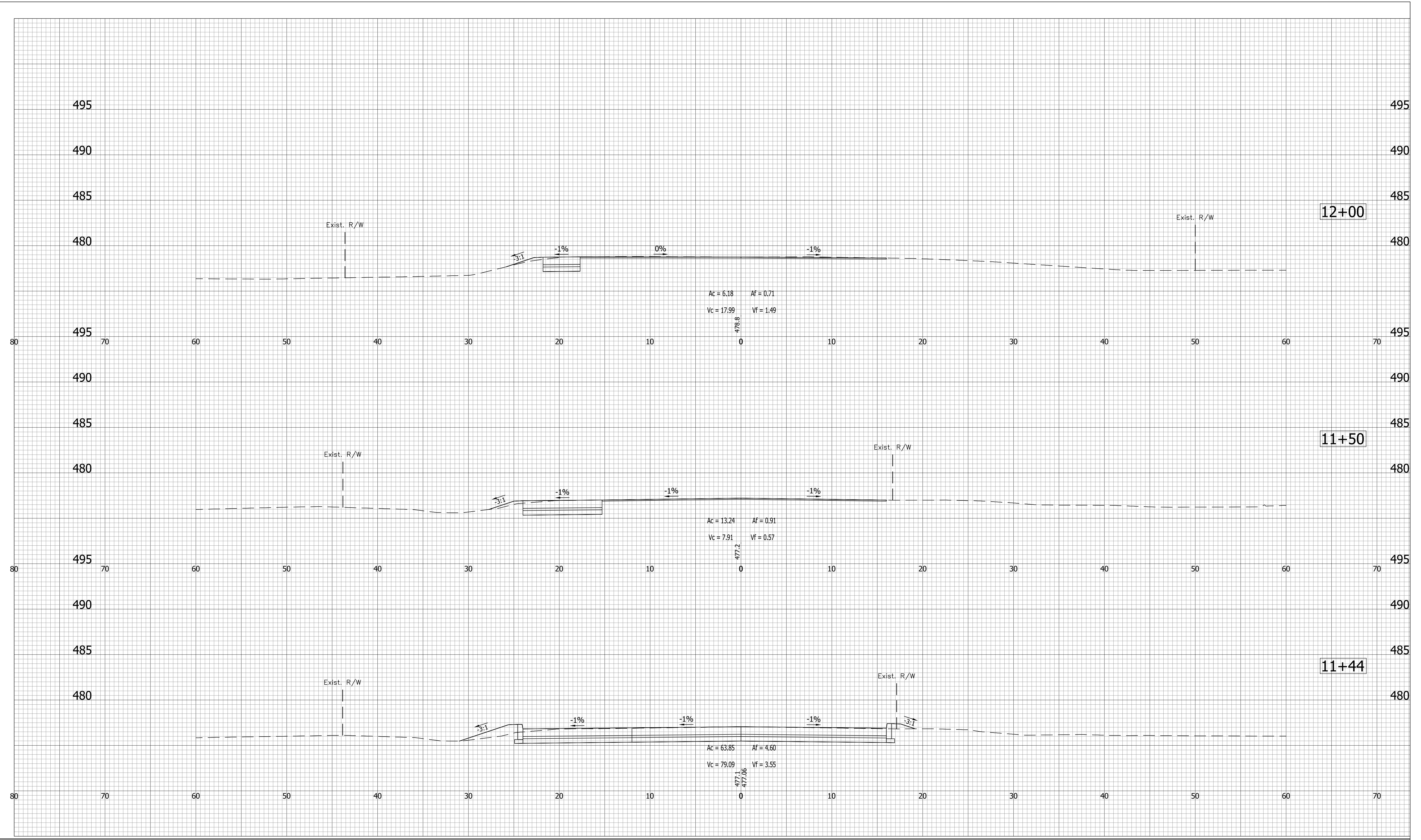
RECOMMENDED FOR APPROVAL		DESIGN ENGINEER	DATE
DESIGNED: BWS	DRAWN: MRW		
CHECKED: ACD	CHECKED: BWS		

INDIANA
DEPARTMENT OF TRANSPORTATION

CROSS SECTIONS
LINE "PR-S1A"

HORIZONTAL SCALE	BRIDGE FILE
1"=5'	N/A
VERTICAL SCALE	DESIGNATION
1"=5'	1700111
SURVEY BOOK	SHEETS
	151 of 152
CONTRACT	PROJECT
R-40412	1700111

DIRECTORY: S:\Project Files\2017\17-0199\CADD\Design\Sheet Sets\
 FILE:0199 XSec.dwg
 DIMSCALE: 5 LTSCALE:1
 PLOTTED BY: mwarren
 DATE:Sep 14, 2022 - 12:13pm



RECOMMENDED FOR APPROVAL		DESIGN ENGINEER	DATE
DESIGNED: BWS	DRAWN: MRW		
CHECKED: ACD	CHECKED: BWS		

INDIANA
DEPARTMENT OF TRANSPORTATION

CROSS SECTIONS
LINE "PR-S1A"

HORIZONTAL SCALE	BRIDGE FILE
1"=5'	N/A
VERTICAL SCALE	DESIGNATION
1"=5'	1700111
SURVEY BOOK	SHEETS
	152 of 152
CONTRACT	PROJECT
R-40412	1700111